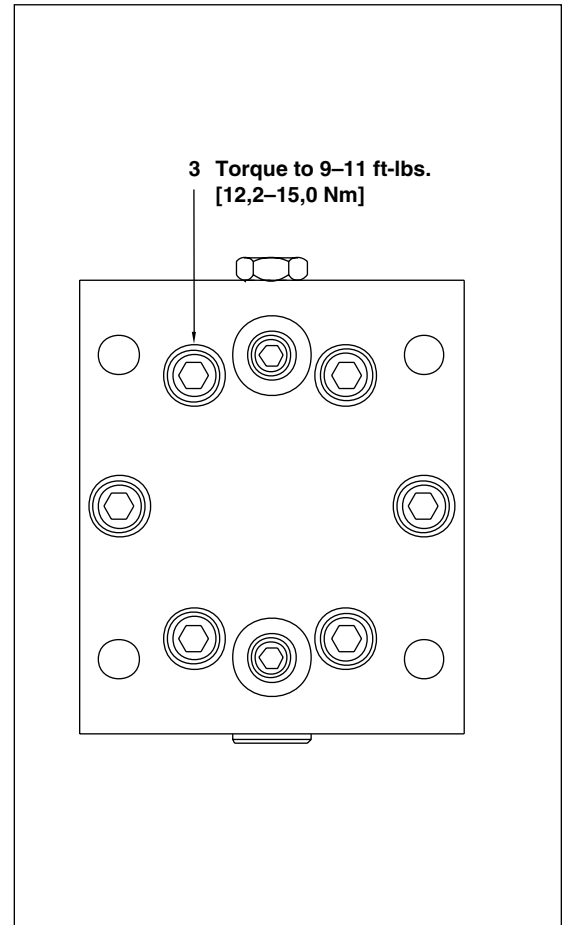
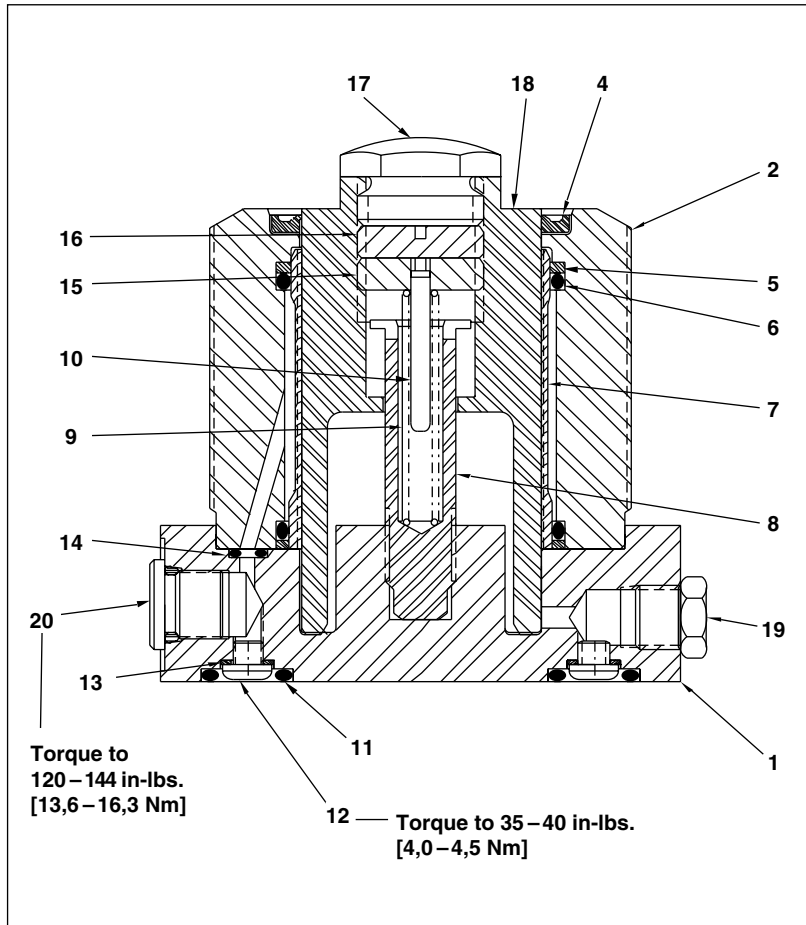


To Protect Your Warranty, Use Only ENERPAC Hydraulic Oil.

Enerpac recommends that all kit components be installed to insure optimum performance of the repaired product.



#### Repair Parts List

| Item # | Part Number  |              |              |              | Qty. | Description  |
|--------|--------------|--------------|--------------|--------------|------|--------------|
|        | WSL-331      | WSL-332      | WSL-441      | WSL-442      |      |              |
| 1      | DC983005     | DC1107005    | DC995005     | DC1109005    | 1    | Base         |
| 2      | PA2116030    | PA2116030    | DC997030     | DC997030     | 1    | Cylinder     |
| 3      | CCA623028-1A | CCA623028-1A | CCA621028-1A | CCA621028-1A | 6    | Screw        |
| 4      | ★            | ★            | ★            | ★            | 1    | Wiper        |
| 5      | ★            | ★            | ★            | ★            | 2    | Back-Up      |
| 6      | ★            | ★            | ★            | ★            | 2    | O-Ring       |
| 7      | PA2079446    | PA2079446    | DC998446     | DC998446     | 1    | Sleeve       |
| 8      | PA712013     | PA712013     | PA713013     | PA713013     | 1    | Spring Guide |

★ = Items included in and available only as part of Repair Kit.

Continued...

| Continued Repair Parts List |             |            |            |            |      |               |
|-----------------------------|-------------|------------|------------|------------|------|---------------|
| Item #                      | Part Number |            |            |            | Qty. | Description   |
|                             | WSL-331     | WSL-332    | WSL-441    | WSL-442    |      |               |
| 9                           | ★           | ★          | ★          | ★          | 1    | Spring        |
| 10                          | BA0216059   | BA0216059  | BA0216059  | BA0216059  | 1    | Dowel Pin     |
| 11                          | ★           | ★          | ★          | ★          | 2    | O-Ring        |
| 12                          | ★           | ★          | ★          | ★          | 2    | Cap Screw     |
| 13                          | ★           | ★          | ★          | ★          | 2    | Gasket        |
| 14                          | ★           | ★          | ★          | ★          | 1    | O-Ring        |
| 15                          | PA1075048   | PA1075048  | PA1075048  | PA1075048  | 1    | Adj. Screw    |
| 16                          | PA1076048   | PA1076048  | PA1076048  | PA1076048  | 1    | Adj. Screw    |
| 17                          | CZ89045     | CZ89045    | CZ89045    | CZ89045    | 1    | Contact Bolt  |
| 18                          | DC984040    | DC984040   | DC996040   | DC996040   | 1    | Plunger       |
| 19                          | DC352118    | DC1134118  | DC352118   | DC1134118  | 1    | Breather Vent |
| 20                          | B1003006    | CS235006   | B1003006   | CS235006   | 1    | Plug          |
|                             | ★ =WSL331K  | ★ =WSL331K | ★ =WSL441K | ★ =WSL441K | 1    | Repair Kit    |

★ = Items included in and available only as part of Repair Kit.

| Repair Parts List |              |              |              |              |      |               |
|-------------------|--------------|--------------|--------------|--------------|------|---------------|
| Item #            | Part Number  |              |              |              | Qty. | Description   |
|                   | WSL-331V     | WSL-332V     | WSL-441V     | WSL-442V     |      |               |
| 1                 | DC983005     | DC1107005    | DC995005     | DC1109005    | 1    | Base          |
| 2                 | PA2116030    | PA2116030    | DC997030     | DC997030     | 1    | Cylinder      |
| 3                 | CCA621028-1A | CCA621028-1A | CCA621028-1A | CCA621028-1A | 6    | Screw         |
| 4                 | ★            | ★            | ★            | ★            | 1    | Wiper         |
| 5                 | ★            | ★            | ★            | ★            | 2    | Back-Up       |
| 6                 | ★            | ★            | ★            | ★            | 2    | O-Ring        |
| 7                 | PA2079446    | PA2079446    | DC998446     | DC998446     | 1    | Sleeve        |
| 8                 | PA712013     | PA712013     | PA713013     | PA713013     | 1    | Spring Guide  |
| 9                 | ★            | ★            | ★            | ★            | 1    | Spring        |
| 10                | BA0216059    | BA0216059    | BA0216059    | BA0216059    | 1    | Dowel Pin     |
| 11                | ★            | ★            | ★            | ★            | 2    | O-Ring        |
| 12                | ★            | ★            | ★            | ★            | 2    | Cap Screw     |
| 13                | ★            | ★            | ★            | ★            | 2    | Gasket        |
| 14                | ★            | ★            | ★            | ★            | 1    | O-Ring        |
| 15                | PA1075048    | PA1075048    | PA1075048    | PA1075048    | 1    | Adj. Screw    |
| 16                | PA1076048    | PA1076048    | PA1076048    | PA1076048    | 1    | Adj. Screw    |
| 17                | CZ89045      | CZ89045      | CZ89045      | CZ89045      | 1    | Contact Bolt  |
| 18                | DC984040     | DC984040     | DC996040     | DC996040     | 1    | Plunger       |
| 19                | DC352118     | DC1134118    | DC352118     | DC1134118    | 1    | Breather Vent |
| 20                | B1003006V    | F100006-1    | B1003006V    | F-100006-1   | 1    | Plug          |
|                   | ★ =WSL331KV  | ★ =WSL331KV  | ★ =WSL441KV  | ★ =WSL441KV  | 1    | Repair Kit    |

★ = Items included in and available only as part of Repair Kit.

## ***NOTES***

---

## Enerpac Worldwide Locations

### Africa

ENERPAC Middle East FZE  
Office 423, JAFZA 15  
P.O. Box 18004  
Jebel Ali, Dubai  
United Arab Emirates  
Tel: +971 (0)4 8872686  
Fax: +971 (0)4 8872687

### Australia, New Zealand

Actuant Australia Ltd.  
Block V Unit 3  
Regents Park Estate  
391 Park Road  
Regents Park NSW 2143  
(P.O. Box 261) Australia  
Tel: +61 297 438 988  
Fax: +61 297 438 648

### Brazil

Power Packer do Brasil Ltda.  
Rua dos Inocentes, 587  
04764-050 - Sao Paulo (SP)  
Tel: +55 11 5687 2211  
Fax: +55 11 5686 5583  
Toll Free in Brazil:  
Tel: 0800 891 5770  
vendabrasil@enerpac.com

### Canada

Actuant Canada Corporation  
6615 Ordan Drive, Unit 14-15  
Mississauga, Ontario L5T 1X2  
Tel: +1 905 564 5749  
Fax: +1 905 564 0305  
Toll Free:  
Tel: +1 800 268 4987  
Fax: +1 800 461 2456  
Technical Inquiries:  
techservices@enerpac.com

### China

Actuant China Ltd.  
1F, 269 Fute N. Road  
Waigaoqiao Free Trade Zone  
Pudong New District  
Shanghai, 200 131 China  
Tel: +86 21 5866 9099  
Fax: +86 21 5866 7156

◆ e-mail: [info@enerpac.com](mailto:info@enerpac.com)

### Actuant China Ltd. (Beijing)

709B Diyang Building  
Xin No. 2  
Dong San Huan North Rd.  
Beijing City  
100028 China  
Tel: +86 10 845 36166  
Fax: +86 10 845 36220

### Central and Eastern Europe, Greece

ENERPAC GmbH  
P.O. Box 300113  
D-40401 Düsseldorf  
Willstätterstrasse13  
D-40549 Düsseldorf  
Germany  
Tel: +49 211 471 490  
Fax: +49 211 471 49 28

### France, Switzerland francophone

ACTUANT - ENERPAC  
France S.A., ZA de Courtaboeuf  
32, avenue de la Baltique  
91140 Villebon / Yvette  
France  
Tel: +33 1 60 13 68 68  
Fax: +33 1 69 20 37 50

### Germany, Austria and Switzerland

ENERPAC GmbH  
P.O. Box 300113  
D-40401 Düsseldorf  
Willstätterstrasse13  
D-40549 Düsseldorf  
Germany  
Tel: +49 211 471 490  
Fax: +49 211 471 49 28

### India

ENERPAC Hydraulics  
(India) Pvt. Ltd.  
Office No. 9,10 & 11,  
Plot No. 56, Monarch Plaza,  
Sector 11, C.B.D. Belapur  
Navi Mumbai 400614, India  
Tel: +91 22 2756 6090  
Tel: +91 22 2756 6091  
Fax: +91 22 2756 6095

### Italy

ENERPAC S.p.A.  
Via Canova 4  
20094 Corsico (Milano)  
Tel: +39 02 4861 111  
Fax: +39 02 4860 1288

### Japan

Applied Power Japan Ltd.  
Besshochou 85-7  
Saitama-shi, Kita-ku,  
Saitama 331-0821  
Japan  
Tel: +81 48 662 4911  
Fax: +81 48 662 4955

### Middle East, Turkey and Caspian Sea

ENERPAC Middle East FZE  
Office 423, JAFZA 15  
P.O. Box 18004  
Jebel Ali, Dubai  
United Arab Emirates  
Tel: +971 (0)4 8872686  
Fax: +971 (0)4 8872687

### Russia and CIS

(excl. Caspian Sea Countries)  
Actuant LLC  
Admiral Makarov Street 8  
125212 Moscow, Russia  
Tel: +7-495-9809091  
Fax: +7-495-9809092

### Singapore

Actuant Asia Pte. Ltd.  
37C, Benoi Road Pioneer Lot,  
Singapore 627796  
Tel: +65 68 63 0611  
Fax: +65 64 84 5669  
Toll Free: +1800 363 7722  
Technical Inquiries:  
[techsupport@enerpac.com.sg](mailto:techsupport@enerpac.com.sg)

◆ internet: [www.enerpac.com](http://www.enerpac.com)

### South Korea

Actuant Korea Ltd.  
3Ba 717,  
Shihwa Industrial Complex  
Jungwang-Dong, Shihung-Shi, Kyunggi-Do  
Republic of Korea 429-450  
Tel: +82 31 434 4506  
Fax: +82 31 434 4507

### Spain and Portugal

ENERPAC  
C/San José Artesano 8  
Pol. Ind.  
28108 Alcobendas  
(Madrid) Spain  
Tel: +34 91 661 11 25  
Fax: +34 91 661 47 89

### The Netherlands, Belgium, Luxembourg, Sweden, Denmark, Norway, Finland and Baltic States

ENERPAC B.V.  
Galvanistraat 115, 6716 AE Ede  
P.O. Box 8097, 6710 AB Ede  
The Netherlands  
Tel: +31 318 535 911  
Fax: +31 318 525 613  
+31 318 535 848

### Technical Inquiries Europe:

[techsupport.europe@enerpac.com](mailto:techsupport.europe@enerpac.com)

### United Kingdom, Ireland

Enerpac Ltd  
Bentley Road South  
Darlaston, West Midlands  
WS10 8LQ, United Kingdom  
Tel: +44 (0)121 50 50 787  
Fax: +44 (0)121 50 50 799

### USA, Latin America and Caribbean

ENERPAC  
P.O. Box 3241  
6100 N. Baker Road  
Milwaukee, WI 53209 USA  
Tel: +1 262 781 6600  
Fax: +1 262 783 9562

### User inquiries:

+1 800 433 2766

### Inquiries/orders:

+1 800 558 0530

### Technical Inquiries:

[techservices@enerpac.com](mailto:techservices@enerpac.com)

All Enerpac products are guaranteed against defects in workmanship and materials for as long as you own them.  
For your nearest authorized Enerpac Service Center, visit us at [www.enerpac.com](http://www.enerpac.com)