

To Protect Your Warranty, Use Only ENERPAC Hydraulic Oil.

Enerpac recommends that all kit components be installed to insure optimum performance of the repaired product.

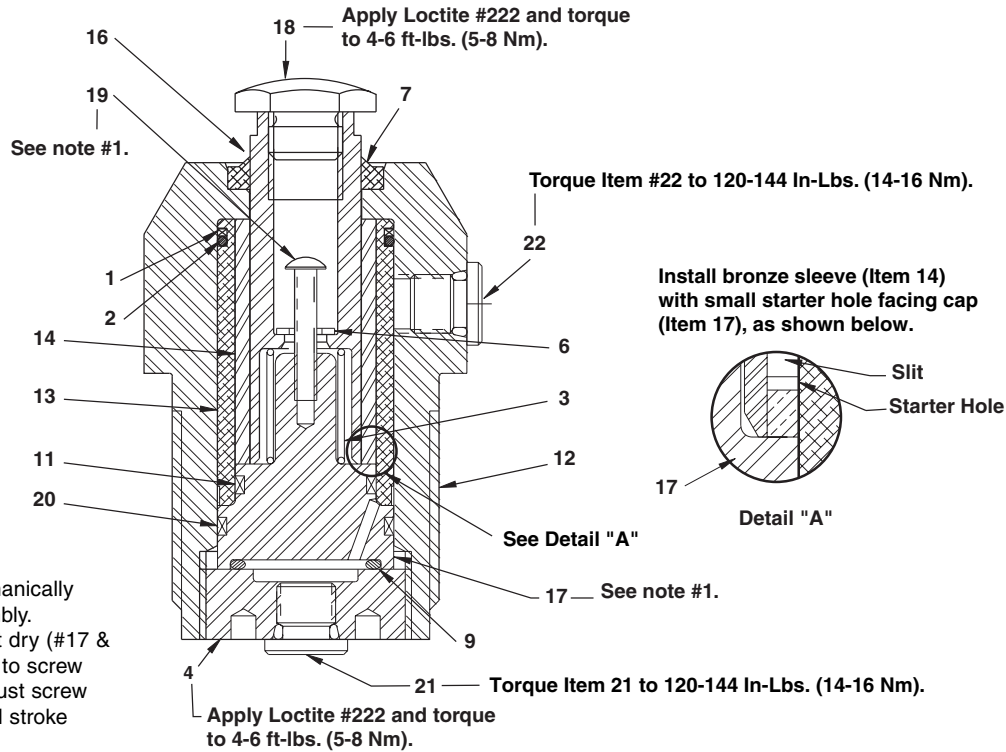


Figure 1, WST71, WST71V, WST72, and WST72V

Repair Parts List For Figure 1						
Item #	Part Number				Qty.	Description
	WST71	WST71V	WST72	WST72V		
1	★	★	★	★	1	Back-Up
2	★	★	★	★	1	O-Ring
3	★	★	★	★	1	Spring
4	DC74006	DC74006	DC302006	DC302006	1	Base Plug
6	★	★	★	★	1	Washer
7	★	★	★	★	1	Wiper
9	★	★	★	★	1	O-Ring
11	★	★	★	★	1	O-Ring
12	DC73030	DC73030	DC292030	DC292030	1	Base
13	DA12429446	DC12429446	DA12429446	DA12429446	1	Plastic Jacket
14	DA12430447	DA12430447	DA12430447	DA12430447	1	Bronze Sleeve
16	DA12426040	DA12426040	DA12426040	DA12426040	1	Plunger
17	DA12434020	DA12434020	DA12434020	DA12434020	1	Cap
18	CZ88045	CZ88045	CZ88045	CZ88045	1	Bolt
19	★	★	★	★	1	Cap Screw
20	★	★	★	★	1	O-Ring
21	B1001006	B1001006V	CS236006	F100006	1	Port Plug
22	CU194006	CU194006	CS236006	F100006	1	Port Plug
	★ =WST71K	★ =WST71KV	★ =WST71K	★ =WST71KV		

★ = Items included in and available only as part of Repair Kit.

Note 1:

Cap (#17) must be mechanically clean before reassembly. Primer both parts and let dry (#17 & #19). Apply Loctite #271 to screw (#19) and assemble. Adjust screw (#19) to achieve required stroke (0.38 in NOM).

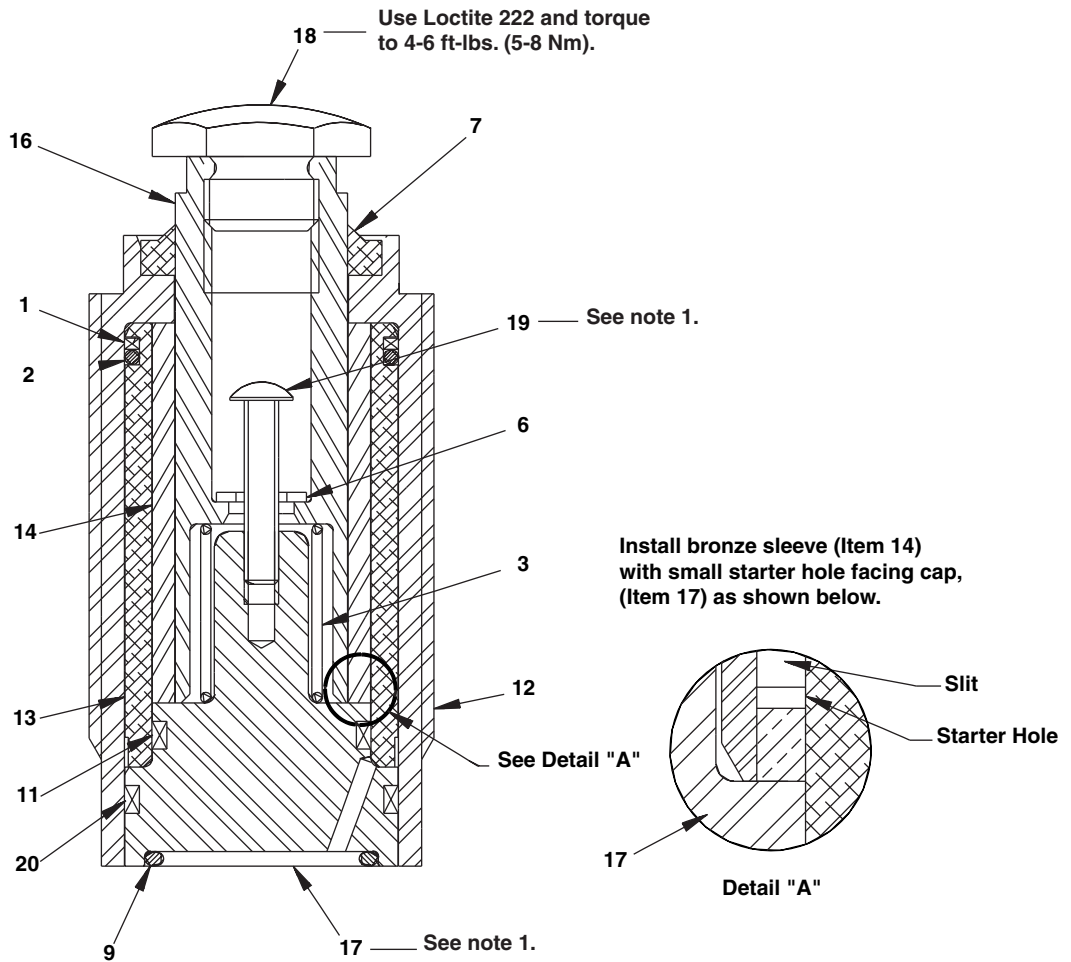


Figure 2, WSM71, WSM71V, WSM72, WSM72V

Repair Parts List For Figure 2						
Item #	Part Number				Qty.	Description
	WSM71	WSM71V	WSM72	WSM72V		
1	★	★	★	★	1	Back-Up
2	★	★	★	★	1	O-Ring
3	★	★	★	★	1	Spring
6	★	★	★	★	1	Washer
7	★	★	★	★	1	Wiper
9	★	★	★	★	1	O-Ring
11	★	★	★	★	1	O-Ring
12	DC851030	DC851030	DA12427030	DA12427030	1	Base
13	DA12429446	DA12429446	DA12429446	DA12429446	1	Plastic Jacket
14	DA12430447	DA12430447	DA12430447	DA12430447	1	Bronze Sleeve
16	DA12426040	DA12426040	DA12426040	DA12426040	1	Plunger
17	DA12434020	DA12434020	DA12434020	DA12434020	1	Cap
18	CZ88045	CZ88045	CZ88045	CZ88045	1	Bolt
19	★	★	★	★	1	Cap Screw
20	★	★	★	★	1	O-Ring
	★ = WSM71K	★ = WSM71KV	★ = WSM72K	★ = WSM72KV		

★ = Items included in and available only as part of Repair Kit.

NOTES

Enerpac Worldwide Locations

Africa

ENERPAC Middle East FZE
P.O. Box 18004
Jebel Ali, Dubai
United Arab Emirates
Tel: +971 (0)4 8872686
Fax: +971 (0)4 8872687

Australia

ENERPAC, Actuant Australia Ltd.
Block V Unit 3, Regents Park Estate
391 Park Road, Regents Park NSW 2143
(P.O. Box 261) Australia
Tel: +61 297 438 988
Fax: +61 297 438 648

Brazil

Power Packer do Brasil Ltda.
Rua dos Inocentes, 587
04764-050 - Sao Paulo (SP)
Tel: +55 11 5687 2211
Fax: +55 11 5686 5583
Toll Free in Brazil:
Tel: 0800 891 5770
vendasbrasil@enerpac.com

Canada

Actuant Canada Corporation
6615 Ordan Drive, Unit 14-15
Mississauga, Ontario L5T 1X2
Tel: +1 905 564 5749
Fax: +1 905 564 0305
Toll Free:
Tel: +1 800 268 4987
Fax: +1 800 461 2456
Technical Inquiries:
techservices@enerpac.com

China

Actuant China Ltd.
1F, 269 Fute N. Road
Waigaoqiao Free Trade Zone
Pudong New District
Shanghai, 200 131 China
Tel: +86 21 5866 9099
Fax: +86 21 5866 7156

◆ e-mail: info@enerpac.com

Actuant China Ltd. (Beijing)
709A Xin No. 2
Diyang Building
Dong San Huan North Rd.
Beijing City, 100028 China
Tel: +86 10 845 36166
Fax: +86 10 845 36220

Central and Eastern Europe

ENERPAC B.V.
Galvanistraat 115
P.O. Box 8097, 6710 AB Ede
The Netherlands
Tel: +31 318 535 936
Fax: +31 318 535 951

France

ENERPAC
Une division de ACTUANT France s.a.
B.P. 200
Parc d'Activités
du Moulin de Massy
F-91882 Massy CEDEX France
Tel: +33 1 601 368 68
Fax: +33 1 692 037 50

Germany, Austria, Switzerland, Russia, Greece and CIS (excl. Caspian Sea Countries)

ENERPAC Applied Power GmbH
P.O. Box 300113
D-40401 Düsseldorf
Germany
Tel: +49 211 471 490
Fax: +49 211 471 49 28

India

ENERPAC Hydraulics (India) Pvt. Ltd.
Plot No. A/571
MIDC, TTC Industrial Area
Mahape-400 701
Navi Mumbai, India
Tel: +91 22 2778 1472
Fax: +91 22 2778 1473

Italy

ENERPAC S.p.A.
Via Canova 4
20094 Corsico (Milano)
Tel: +39 02 4861 111
Fax: +39 02 4860 1288

Japan

Applied Power Japan Ltd.
1-1-11, Shimomae
Toda-shi
Saitama Pref.
Japan 335-0016
Tel: +81 484 30 1055
Fax: +81 484 30 1066

The Netherlands, Belgium, Luxembourg, Sweden, Denmark, Norway, Finland, Baltic States

ENERPAC B.V.
Galvanistraat 115
P.O. Box 8097, 6710 AB Ede
The Netherlands
Tel: +31 318 535 911
Fax: +31 318 525 613
+31 318 535 848

Technical Inquiries Europe:
techsupport.europe@enerpac.com

Singapore

Enerpac Asia Pte. Ltd.
25 Serangoon North Ave. 5
#03-01 Keppel Digihub
Singapore 554914
Thomson Road
P.O. Box 114
Singapore 915704
Tel: +65 64 84 5108, +65 64 84 3737
1800 363 7722
Fax: +65 64 84 5669
Technical Inquiries:
sales@enerpac.com.sg

South Korea

Actuant Korea Ltd.
3Ba 717, Shihwa Industrial Complex,
Jungwang-Dong, Shihung-Shi, Kyunggi-Do
Republic of Korea 429-450
Tel: +82 31 434 4506
Fax: +82 31 434 4507

◆ internet: www.enerpac.com

Spain, Portugal

ENERPAC
C/San José Artesano 8
Pol. Ind.
28108 Alcobendas
(Madrid) Spain
Tel: +34 91 661 11 25
Fax: +34 91 661 47 89

Middle East, Turkey , Caspian Sea

ENERPAC Middle East FZE
P.O. Box 18004
Jebel Ali, Dubai
United Arab Emirates
Tel: +971 (0)4 8872686
Fax: +971 (0)4 8872687

United Kingdom, Ireland

ENERPAC Ltd., P.O. Box 33
New Romney, TN28 8QF
United Kingdom
Tel: +44 1527 598 900
Fax: +44 1527 585 500

USA, Latin America and Caribbean

ENERPAC
P.O. Box 3241
6100 N. Baker Road
Milwaukee, WI 53209 USA
Tel: +1 262 781 6600
Fax: +1 262 783 9562

User inquiries:

+1 800 433 2766

Distributor inquiries/orders:

+1 800 558 0530

Technical Inquiries:

techservices@enerpac.com

All Enerpac products are guaranteed against defects in workmanship and materials for as long as you own them.
For your nearest authorized Enerpac Service Center, visit us at www.enerpac.com

111904