

Specifications

Units: **Imperial** Metric

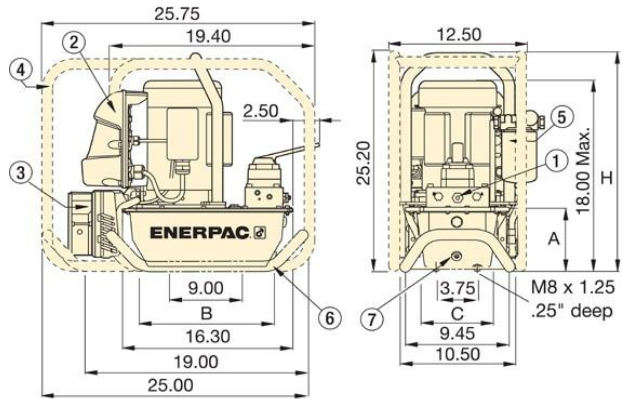
Maximum Operating Pressure (psi)	10,000
Cylinder Compatability	Single-acting
Reservoir Capacity (in ³)	416
Usable Oil Capacity (gal)	2
Maximum Flow at Rated Pressure	40 in ³ /min
Output Flow Rate (in ³ /min) 100 psi	450
Output Flow Rate (in ³ /min) 700 psi	385
Output Flow Rate (in ³ /min) 5000 psi	42
Output Flow Rate (in ³ /min) 10000 psi	40
Motor Size (hp)	1
Motor Size (rpm)	1,750
Motor Hertz	50/60 Hz
Motor Phases	1 Ph
Motor Voltage	115 V
Duty Cycle	Extended
Valve Function	Advance / Hold / Retract
Valve Operation	Solenoid
Solenoid Valve Voltage	24 VDC
Valve Type	3-way, 3-position, Tandem Center
Valve Model	VE33
Power Source	Electric
Pump Control	Pendant
Motor Electrical Specification	115 V, 1 Ph, 50/60 Hz
Sound Level (dBa)	75
Relief Valve Adjustment Range (psi)	1,000 - 10,000
Weight (lbs)	112

Dimensions

Units: **Imperial** Metric

Dimension A (in)	5.6
Dimension B (in)	11
Dimension C (in)	8.1
Dimension H (in)	20.2

ZE-Series Pumps with 1 and 2 gallon-reservoir



- ① User-adjustable relief valve on all manual and solenoid valves:
3/8" NPTF on A and B ports
1/4" NPTF on auxiliary ports
- ② Electric Box (Optional w/manual valve)
- ③ Heat Exchanger (Optional)
- ④ Roll Bar (Optional)
- ⑤ Return Line Filter (Optional)
- ⑥ Skid Bar (Optional)
- ⑦ Oil Drain
- ⑧ Oil Level/Temperature Switch (Optional)