

▼ ZU4204TB-Q (Pro-Series) and ZU4204BB-Q (Classic)



**Z** Tough.  
Dependable.  
Innovative.  
**CLASSIC**

- Features Z-Class high-efficiency pump design; higher oil flow and bypass pressure, cooler running and requires 18% less current draw than comparable pumps
- Powerful 1.7 hp universal electric motor provides high power-to-weight ratio and excellent low-voltage operating characteristics
- High-strength, molded composite shroud protects motor and electrical components, while providing an ergonomic, non-conductive handle for easy transport
- Low-voltage pendant provides additional safety for the operator
- Relief valve adjustment range 1800 - 10,000 psi

### Pro-Series

- LCD readout provides pressure and torque display and a number of diagnostic and readout capabilities never before offered on a portable electric pump
- Auto cycle feature provides continuous cycle operation of the torque wrench as long as the advance button is pressed. (Pump can be used with or without auto cycle feature)



### Back-lit LCD Display for Pro Series

Back-lit LCD and Pressure Transducer featuring Auto-Cycle Technology.

- Digital read-out and "Autocycle" setting
- "Auto-Cycle" setting easily programmable
- Torque wrench model is selectable
- Pump usage information, hour and cycle counts
- Low-voltage warning and recording
- Self-test and diagnostic capabilities
- Information can be displayed in English, French, German, Italian, Spanish and Portuguese
- Pressure transducer is more accurate and durable than analog gauges
- Easy-viewing variable rate display
- Display pressure in bar, MPa or psi



◀ Any brand of hydraulic torque wrench can be powered by the portable ZU4T-Series torque wrench pump.



## Z-Class – A Pump For Every Application

Patented Z-Class pump technology provides high by-pass pressures for increased productivity—important in applications using long hose runs and high pressure-drop circuits, like heavy lifting or certain double-acting tools.

Enerpac ZU4T Hydraulic Pumps are built to power small to large torque wrenches.

### Classic Electric Torque Wrench Pump

- The Classic has an analog gauge and traditional electro-mechanical components (transformers, relays and switches) in place of solid-state electronics.

The Classic delivers durable, safe and efficient hydraulic power.

## Pro Series Electric Torque Wrench Pump

- Digital (LCD) display features a built-in hour meter, pressure and torque display, and shows self-diagnostic, cycle-count and low voltage warning information.
- AutoCycle feature provides continuous cycle operation of the torque wrench as long as the advance button is pressed. (Pump can be used with or without AutoCycle feature).

## ZU4T Series



Reservoir Capacity:

**1.2 and 1.8 gallons**

Flow at 10,000 psi:

**60 in<sup>3</sup>/minute**

Motor Size:

**1.7 hp**

Maximum Operating Pressure:

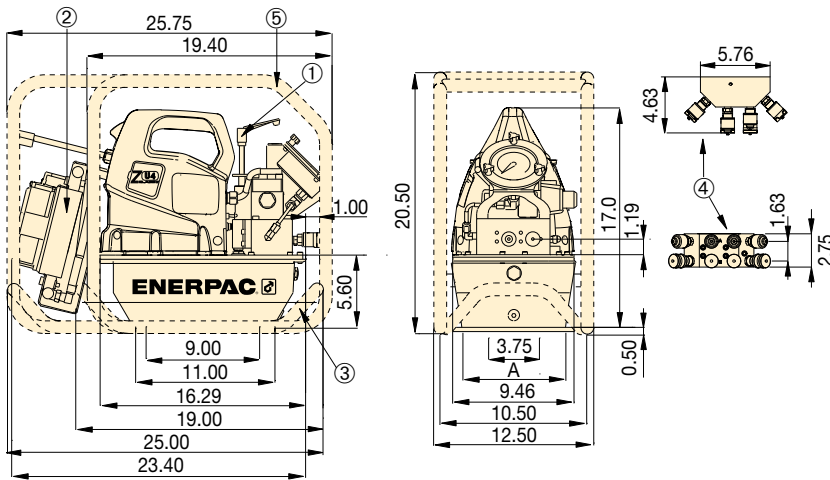
**10,000 psi**



### Overlay Kit with Gauge

Available separately for use with ZU4T-Series Classic: **GT4015Q** includes gauge and torque overlays for all

S-, W-, RSL-, DSX- and HMT-Series torque wrenches.



### ZU4T-Series Torque Wrench Pumps

Reservoir Capacity (gallons)	A (in)
1.2	6.0
1.8	8.1

Dimensions shown in inches

- ① User adjustable relief valve
- ② Heat exchanger
- ③ Skidbar
- ④ 4-wrench manifold
- ⑤ Roll cage

### ZU4T-Series Torque Pumps

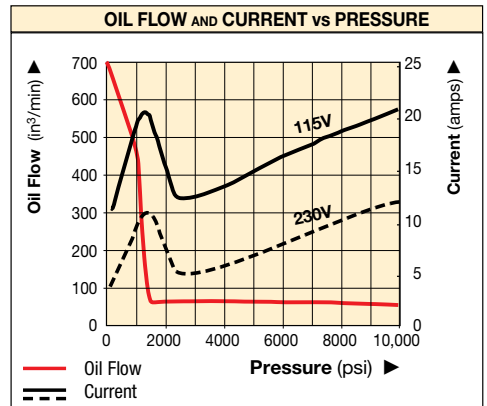
ZU4T-Series Performance Chart							
Motor Size (hp)	Output Flow Rate (in <sup>3</sup> /min)				Motor Electrical Specification (Volt - Phase - Hz)	Sound Level (dBA)	Relief Valve Adjustment Range (psi)
	100 psi	700 psi	5,000 psi	10,000 psi			
1.7	700	535	76	60	115 - 1 - 50/60 208-240 - 1 - 50/60	85-90	1800 - 10,000



### Bolting Integrity Software

Enerpac Bolting Integrity Software Solutions play a key role in implementing and managing an Integrity Program for bolted connections. The software offers Tool selection, Bolt Load calculations and Tool pressure settings, as well as, a combined Application Data Sheet and Joint Completion Report. Custom Joint information can also be entered.

Page: 416



▼ Select a pump from the model matrix at the bottom of the page.

The functionality of the pump can be determined by the model number. Utilize the guide below to select the best pump for the application.



**1 Product Type**

Z = Pump series

**2 Motor Type**

U = Universal motor

**3 Flow Group**

4 = 60 in<sup>3</sup>/min @ 10,000 psi

**4 Valve Type**

2 = Torque wrench valve

**5 Reservoir Capacity**

04 = 1.2 gallons

08 = 1.8 gallons

**6 Valve Operation**

T = Solenoid valve with pendant, LCD electric and pressure transducer

B = Solenoid valve with pendant, classic electrical

**7 Voltage**

B = 115V, 1 ph, 50/60 Hz

E = 208-240V, 1 ph, 50/60 Hz (with European plug CE RF compliant)

I = 208-240V, 1 ph, 50/60 Hz (with NEMA 6-15 plug)

**8 Factory Installed Accessories**

H = Heat exchanger

K = Skid Bar

M = 4-wrench manifold

R = Roll cage



**Torque Wrench Hoses**

Use Enerpac twin safety hoses to connect your torque wrench to the pump.

10,000 psi	
6.5 feet long, 2 hoses	THQ702T
19.5 feet long, 2 hoses	THQ706T
39 feet long, 2 hoses	THQ712T



**Torque Wrench Pump Selection Matrix**

For optimum speed and performance see the torque wrench pump selection matrix.

Page: 291

▼ Most hydraulic torque wrenches can be powered by the Enerpac ZU4T-Series torque wrench pump.



▼ ZU4T-SERIES CLASSIC PUMP MODELS

ZU4T Classic Model Numbers	Reservoir Capacity (gal)	Factory Installed Accessories				Wt. w/oil (lbs)
		Heat Exchanger	Roll Cage	Skid Bar	4-Wrench Manifold	
ZU4204BB-Q (I, E)	1.2					71.5
ZU4208BB-Q (I, E)	1.8					77.5
ZU4204BB-QH (I, E)	1.2	●				88
ZU4208BB-QH (I, E)	1.8	●				87
ZU4204BB-QR (E)	1.2		●			81
ZU4208BB-QR (E)	1.8		●			87
ZU4204BB-QHR (E)	1.2	●	●			90
ZU4208BB-QHR (I, E)	1.8	●	●			96
ZU4208BB-QHK (I, E)	1.8	●		●		92.5
ZU4208BB-QHM (I, E)	1.8	●			●	92
ZU4208BB-QMR (E)	1.8		●		●	93
ZU4208BB-QHMR (I, E)	1.8	●	●		●	102

▼ ZU4T-SERIES PRO PUMP (LCD) MODELS

ZU4T PRO Model Numbers	Reservoir Capacity (gal)	Factory Installed Accessories				Wt. w/oil (lbs)
		Heat Exchanger	Roll Cage	Skid Bar	4-Wrench Manifold	
ZU4204TB-Q (I, E)	1.2					68.5
ZU4208TB-Q (I, E)	1.8					74.5
ZU4204TB-QH (I, E)	1.2	●				78
ZU4208TB-QH (I, E)	1.8	●				84
ZU4204TB-QR (E)	1.2		●			78
ZU4208TB-QR (E)	1.8		●			84
ZU4204TB-QHR (E)	1.2	●	●			87
ZU4208TB-QHR (I, E)	1.8	●	●			93
ZU4208TB-QHK (I, E)	1.8	●			●	89.5
ZU4208TB-QHM (I, E)	1.8	●			●	89
ZU4208TB-QMR (E)	1.8		●		●	90
ZU4208TB-QHMR (I, E)	1.8	●	●		●	99

# Torque Pump Accessories



## 4-Wrench Manifold

- For simultaneous operation of multiple torque wrenches

Accessory Kit No.	Can be used on ZU4T-Series torque wrench pumps
ZTM-Q <sup>1)</sup>	for 10,000-psi torque wrenches

<sup>1)</sup> For 4-Wrench Manifold add 6 lbs to pump weight



## Skidbar

- Provides greater pump stability on soft or uneven surfaces
- Provides easy two-handed lift

Accessory Kit No.	Can be used on ZU4T-Series torque wrench pumps
SBZ-4	1.2 and 1.8 gallon <sup>1)</sup>
SBZ-4L	1.2 and 1.8 gallon <sup>2)</sup>

<sup>1)</sup> Without heat exchanger 5 lbs.

<sup>2)</sup> With heat exchanger 5.5 lbs.

## ZU4T Series



Reservoir Capacity:

**1.2 and 1.8 gallons**

Flow at 10,000 psi:

**60 in<sup>3</sup>/minute**

Motor Size:

**1.7 hp**

Maximum Operating Pressure:

**10,000 psi**



## Roll Cage

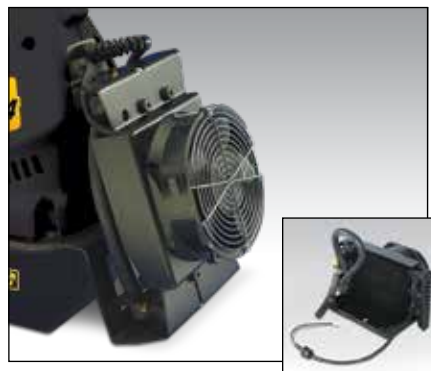
- Protects pump
- Provides greater pump stability

Accessory Kit No. <sup>3)</sup>	Can be used on ZU4T-Series torque wrench pumps
ZRC-04	1.2 and 1.8 gallon reservoir <sup>1)</sup>
ZRC-04H	1.2 and 1.8 gallon reservoir <sup>2)</sup>

<sup>1)</sup> For use with pumps without a heat exchanger fitted

<sup>2)</sup> For use with pumps with a heat exchanger fitted

<sup>3)</sup> For Roll Cage add 9.5 lbs to pump weight



## Heat Exchanger

- Removes heat from the bypass oil to provide cooler operation
- Stabilizes oil viscosity, increasing oil life and reduces wear of pump and other hydraulic components

Accessory Kit No.	Can be used with:
ZHE-U115	115V pumps
ZHE-U230	230V pumps

Heat Exchanger adds 9 lbs. to pump weight.

Thermal Transfer *	Maximum pressure	Maximum oil flow	Voltage
Btu/h	(psi)	(GPM)	(VDC)
900	300	7.0	12

\* At 116 in<sup>3</sup>/min at 70° F ambient temperature. Do not exceed maximum oil flow and pressure ratings. Heat exchanger is not suitable for water-glycol or high water-based fluids.