

Specifications

Units: **Imperial** Metric

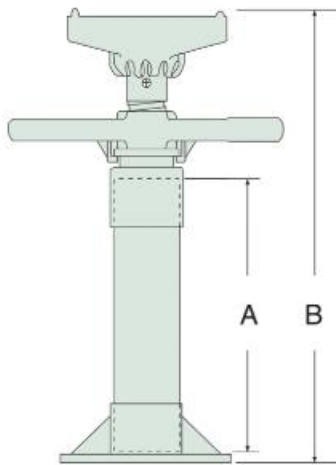
Capacity Imperial (tons)	8
Stroke (in)	15
Minimum Height Toe (in)	520,7
Maximum Height Toe (in)	685,8
Power Source	Mechanical
Maximum Pipe Length (in)	51.75
Minimum Pipe Length (in)	20.5
Head Type	FS Type Head - For support with wooden or rubber cap pieces.
Weight (lbs)	19

Dimensions

Units: **Imperial** Metric

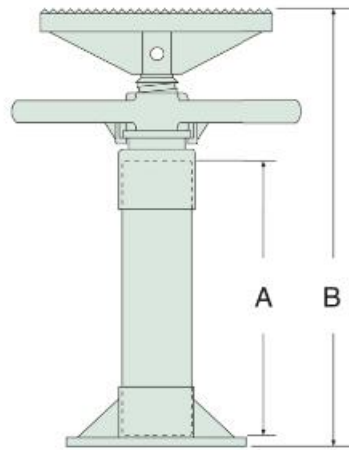
Collapsed Height (In)	27
Extended Height (In)	73
Dimension A (in)	20.5
Dimension B (in)	27

FS Type Head



09267 & 09309

S Type Head



09233