

▼ Shown from left to right: A-220, A-330 and A-258



## C-Clamp Press

- 5, 10 and 20 ton capacity
- Operational in all positions.

## Arbor Press

- 10 and 30 ton capacity
- Foot mounting holes for horizontal or vertical positioning
- Machined working surfaces for easier fixturing
- Slotted back to simplify loading and unloading of longer parts.

## Bench Press Frame

- Cylinder mounting adaptor allows lateral positioning along rails
- Mounting holes for easy mounting to fix surface.

## The Standard Workshop Tools



### Push Pin A-183

For applications requiring precision pressing, such as shaft removal and insertion. This attachment fits 10 ton cylinders and requires the use of a threaded adaptor saddle (A-13).

Page: **174**



### Smooth Saddle A-185

For pressing applications of delicate parts, such as aluminium castings, this saddle decreases surface marks during the pressing application. Requires 10 ton cylinder and threaded adaptor saddle (A-13).

Page: **175**



### Hydraulic Cylinders

Cylinders for C-Clamps and Arbor Presses must be ordered separately.

Page: **5**



### Hydraulic Pumps

Pumps for C-Clamps and Arbor Presses must be ordered separately.

Page: **69**

▼ A-310 Arbor Press



## ▼ SELECTION CHART

Press Type	Press Capacity ton (kN)	Maximum Vertical Daylight (mm)	Maximum Bed Width (mm)	Press Model Number	Cylinder Model Number	Page:
C-Clamp	5 (45)	165	51	A-205	5 ton RC-cylinder <sup>1)</sup>	6
	10 (101)	228	57	A-210	10 ton RC-cylinder <sup>1)</sup>	6
	20 (178)	305	70	A-220	25 ton RC-cylinder <sup>2)</sup>	6
Arbor	10 (101)	227	135	A-310	10 ton RC-cylinder <sup>1)</sup>	6
	30 (295)	260	178	A-330	RC-308 <sup>1)</sup>	6
Bench	10 (101)	419	381	A-258	10 ton RC-cylinder <sup>1)</sup>	6
		419	381	IPA-1022 <sup>3)</sup>	RC-1010	6
		419	381	IPH-1040 <sup>4)</sup>	RC-1010	6

<sup>1)</sup> Recommended cylinder must be ordered separately. <sup>2)</sup> Must be limited to 20 ton.  
<sup>3)</sup> IPA-1022 is complete set including RC-1010 cylinder, PA133 air pump and HC7206 hose.  
<sup>4)</sup> IPH-1040 is complete set including RC-1010 cylinder, P392 hand pump and HC7206 hose.

# C-Clamp, Arbor and Bench Presses



▲ RC-308 cylinder mounted in A-330 Arbor Press powered by a PATG-Turbo Air pump for controlled pressing of bearings for sprockets of weaving machines. The V-152 Pressure Relief Valve controls the pressing force.

## A Series



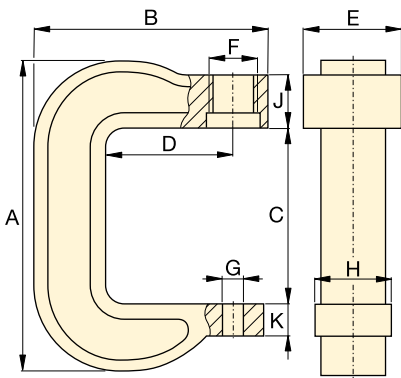
Capacity:  
**5 - 30 ton**

Maximum Daylight x Width:  
**419 x 381 mm**

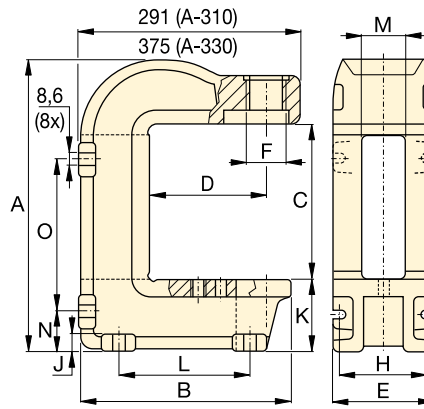
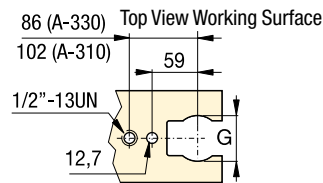
Maximum Operating Pressure:  
**700 bar**



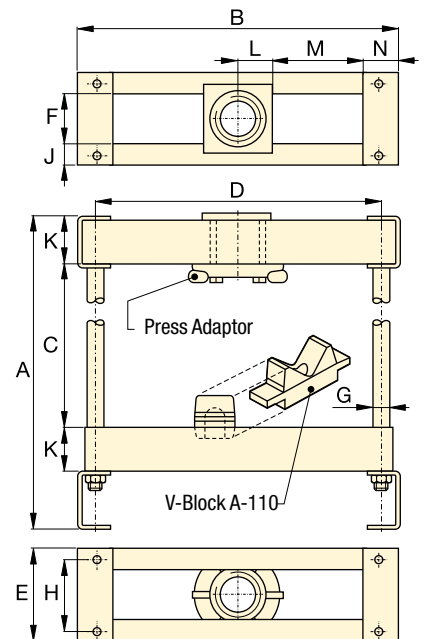
**IMPORTANT!**  
For high-cycle production applications, the C-Clamp and Arbor presses should be limited to 50% of their capacity.




**C-Clamp Presses**  
A-205, A-210, A-220



**Arbor Presses**  
A-310, A-330



**Bench Press Frame**  
A-258, IPA-1022, IPH-1040

Press Dimensions (mm)															Press Model Number
A	B	C	D	E	F	G	H	J	K	L	M	N	O		
291	203	165	95	73	1½" -16 UN	26	51	66	25	-	-	-	-	7	<b>A-205</b>
406	283	228	152	83	2¼" -14 UN	26	76	64	41	-	-	-	-	17	<b>A-210</b>
540	346	305	152	108	3 <sup>5</sup> / <sub>16</sub> " -12 UN	26	95	70	44	-	-	-	-	38	<b>A-220</b>
414	281	227	152	135	2¼" -14 UN	63	122	19	97	175	65	54	219	27	<b>A-310</b>
557	353	260	152	178	3 <sup>5</sup> / <sub>16</sub> " -12 UN	63	140	25	165	203	67	98	276	86	<b>A-330</b>
651	476	419	406	146	82	25	114	31	69	-	-	-	-	48	<b>A-258</b>
651	476	419	406	146	82	25	114	31	69	35	69	35	-	64	<b>IPA-1022<sup>3)</sup></b>
651	476	419	406	146	82	25	114	31	69	35	69	35	-	61	<b>IPH-1040<sup>4)</sup></b>