

Repair Parts Sheet	Revision	Revision Date	Product Code Beginning
L4264	Rev. D	02/2021	B

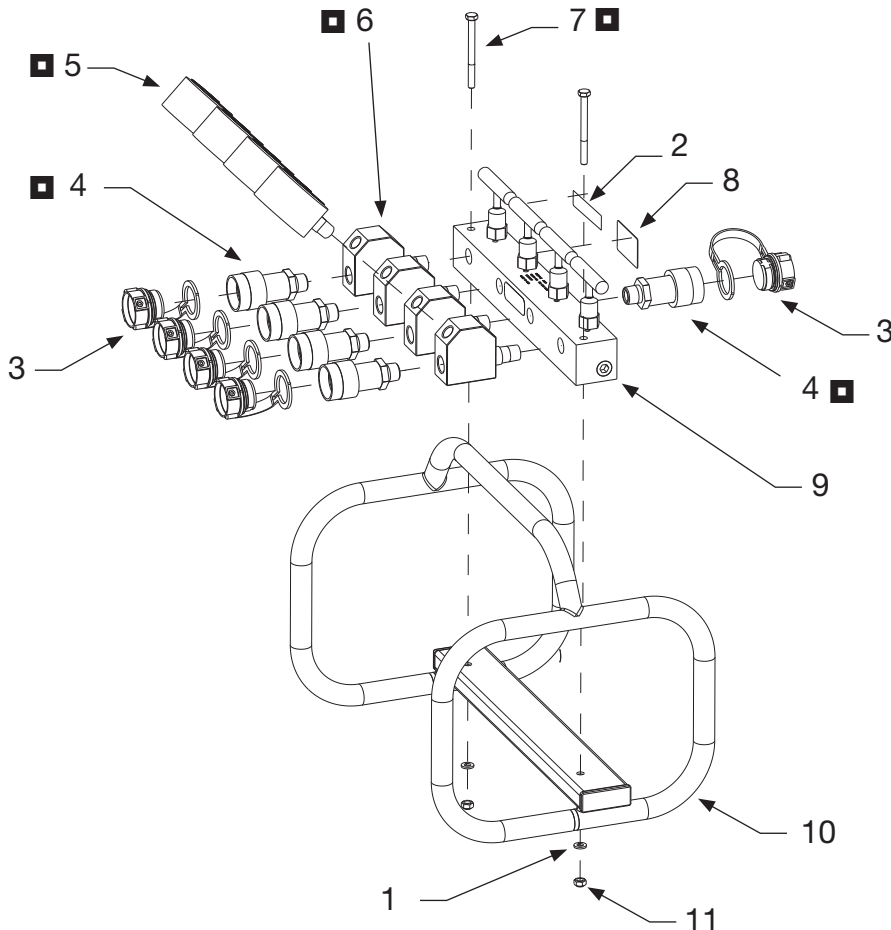


Fig. 1, AMGC41 ASSEMBLY

Repair Part List (Refer to Figure 1)			
Item	Part Number	Qty.	Description
1	CCE1060108-5A	4	Lock washer M6 DIN127a
2	DB9437026	1	ENERPAC primary logo
3	CD411	5	Dust cap
4	CR400	5	Female coupler + dust cap
5	G2535L	4	Gauge glyc. 10,150 psi 2.5 in
6	GA45	4	Gauge adaptor
7	CBE641046-1A	2	Bolt hex M6 x 70 DIN931-8.8 Zinc
8	DB9349026	1	ID decal for identification
9	DB9316900	1	Assembly manifold - extend
10	DB0110201	1	Frame
11	CBE1060120-2A	2	Lock nut M6 DIN985 zinc

Notes	
Item	Torque / notes
4	40 - 54 Nm, 29.5 - 39.8 Ft - Lbs. Use teflon tape.
5	20 - 25 Nm, 14.75 - 18.44 Ft - Lbs. Use teflon tape.
6	40 - 54 Nm, 29.5 - 39.8 Ft - Lbs. Use teflon tape.
7	9.5 Nm, 7 Ft - Lbs.

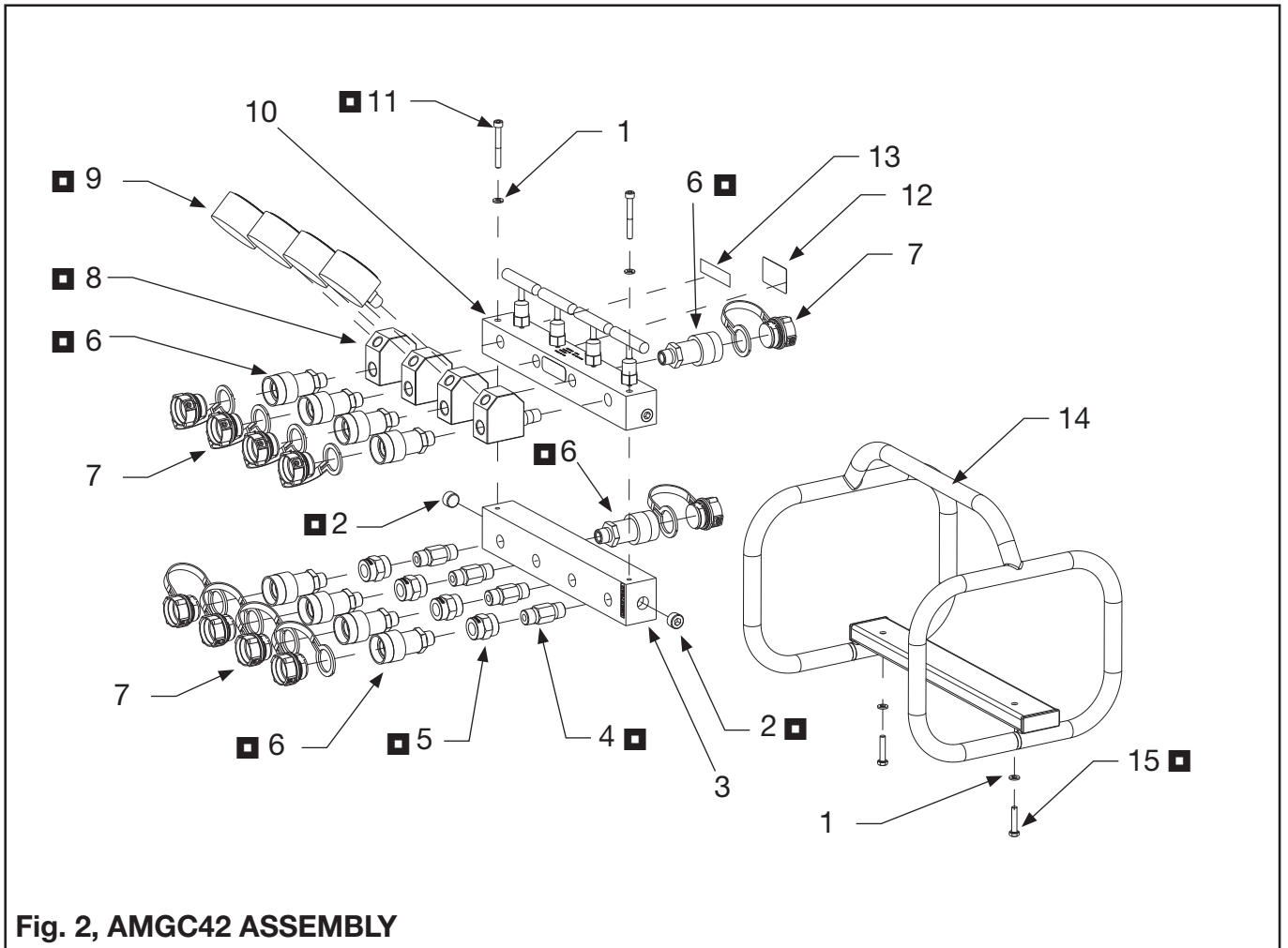


Fig. 2, AMGC42 ASSEMBLY

Repair Part List (Refer to Figure 2)			
Item	Part Number	Qty.	Description
1	CCE1060108-5A	4	Lock washer M6 DIN127a
2	A1009245	2	Plug-flush, hex, 18.00, Stl, teflon
3	DB5117840	1	Manifold - retract
4	DA10974096	4	3/8" NPTF fitting
5	CJ649096	4	Ftg-conn, Stl, zinc
6	CR400	10	Female coupler + dust cap
7	CD411	10	Dust cap
8	GA45	4	Gauge adaptor
9	G2535L	4	Gauge glycerine 10.150 Psi 2.5 in
10	AM41	1	Manifold valve 4-way
11	CBE633028-1A	2	SHCS M6x50 zinc DIN912
12	DB9349026	1	Id decal for identification valves
13	DB9437026	1	ENERPAC primary logo
14	DB0110201	1	Frame
15	CBE625046-1B	2	SHCS M6x30 zinc DIN933

[■] Notes	
Item	Torque / notes
2	40 - 54 Nm, 29.5 - 39.8 Ft - Lbs.
4	40 - 54 Nm, 29.5 - 39.8 Ft - Lbs. Use teflon tape.
5	40 - 54 Nm, 29.5 - 39.8 Ft - Lbs.
6	40 - 54 Nm, 29.5 - 39.8 Ft - Lbs. Use teflon tape.
8	40 - 54 Nm, 29.5 - 39.8 Ft - Lbs. Use teflon tape.
9	20 - 25 Nm, 14.75 - 18.44 Ft - Lbs. Use teflon tape.
11	9.5 Nm, 7 Ft - Lbs.
15	9.5 Nm, 7 Ft - Lbs.



To maintain your warranty:

- Use only Enerpac Oil
- Have your products inspected and repaired by an Enerpac Authorized Service Center

ENERPAC

Visit www.enerpac.com for the location of the Enerpac Authorized Service Center nearest you.