

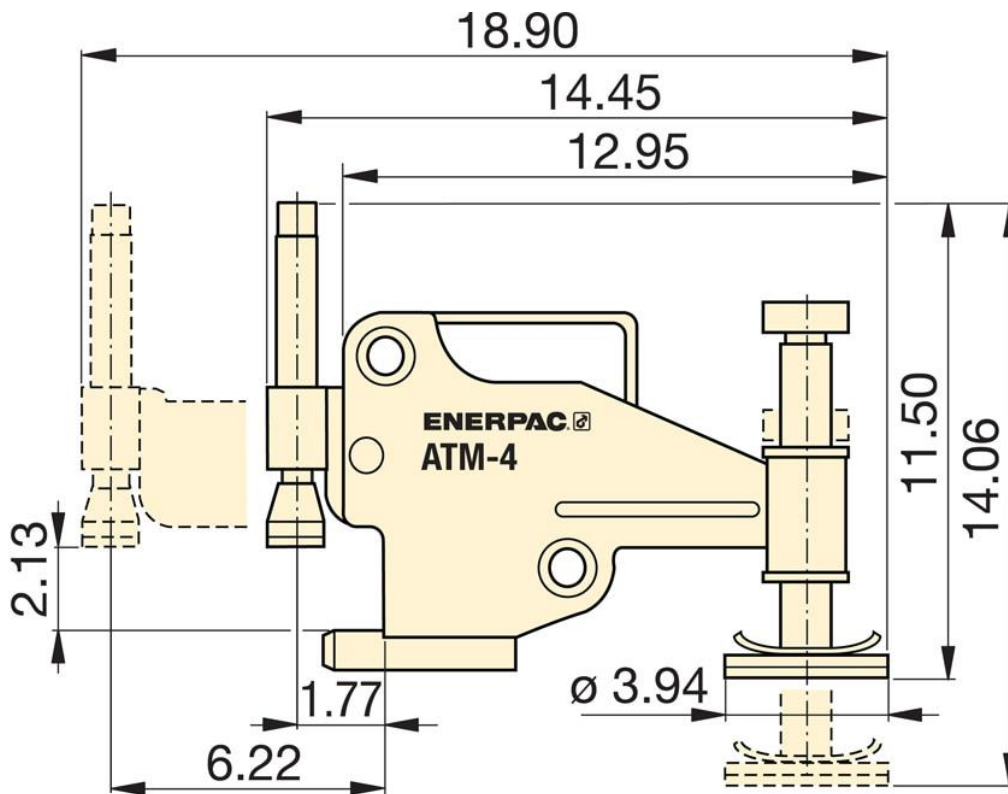
Specifications

Units:

Imperial

Metric

Maximum Reaction Force (imperial ton)	4
Minimum Bolt Size (in)	1
Maximum Flange Wall Thickness (in)	1.18 - 5.23
Reaction Force 2 Max (imperial ton)	4
Weight (lbs)	19



ATM-4