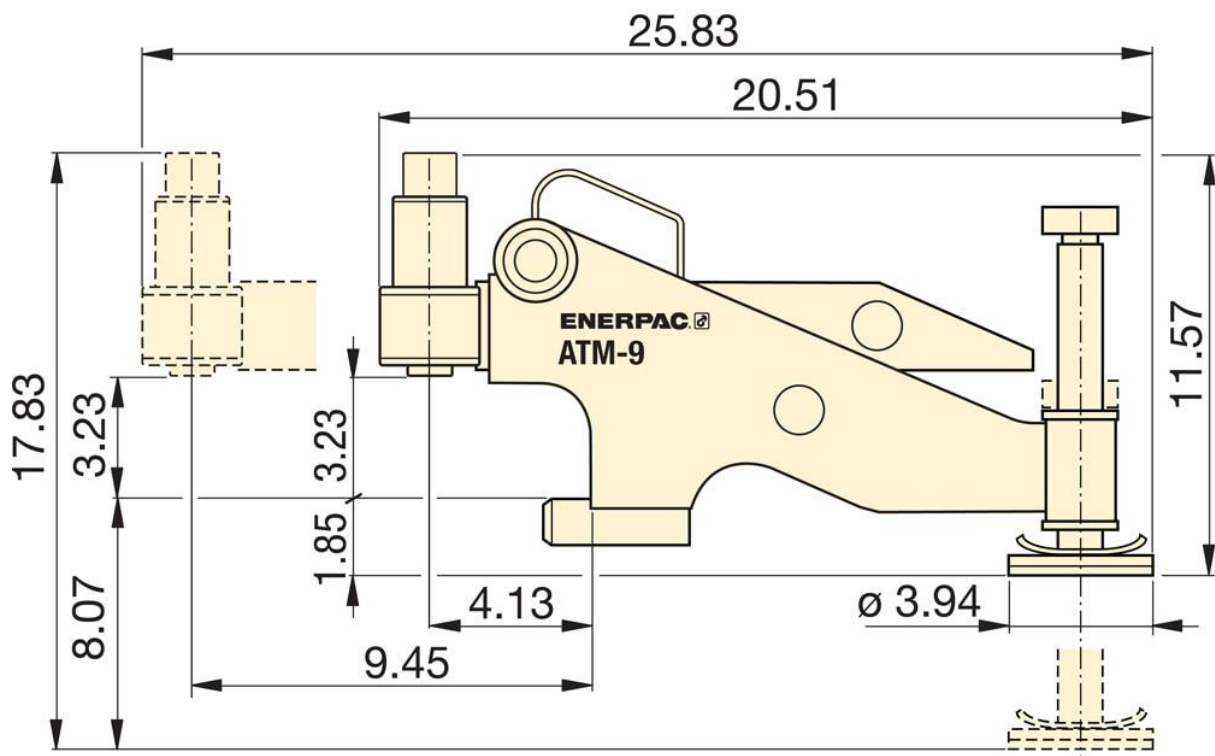


## Specifications

Units: **Imperial** Metric

Maximum Reaction Force (imperial ton)	10
Minimum Bolt Size (in)	1.40
Maximum Flange Wall Thickness (in)	3.66 - 9.00
Reaction Force 2 Max (imperial ton)	10
Weight (lbs)	32



## ATM-9