

**ENERPAC** 

POWERFUL SOLUTIONS. GLOBAL FORCE.

Repair Parts Sheet

**ATP-1500**  
**1500 Bar Air-Hydraulic Pump**

L3065 Rev. A 03/11

For Date Codes Beginning with the Letter "B"

**To Protect Your Warranty, Use Only ENERPAC Hydraulic Oil.**

Enerpac recommends that all kit components be installed to insure optimum performance of the repaired product.



Notes:

- ① Torque to 28-32 ft-lbs [38-43 Nm].
- ② Thread item 48 onto tubing (item 45 or 46) until 1-1/2 to 2 threads on tubing (item 45 or 46) are showing.
- ④ Torque to 20-25 in-lbs [2,2-2,8 Nm].
- ⑤ Torque to 30-35 ft-lbs [40,6-47,0 Nm].
- ⑥ Tighten item 65 using ratchet tool (McMaster Carr #5188K33).
- ⑦ Secure item 49 to gauge flange with item 32.
- ⑧ Remove paper on back of item 66 and secure to item 56.
- ⑨ Torque to 6-10 in-lbs [0,6-1,1 Nm].
- ⑩ Apply Loctite 242 to threads before installation.
- ⑬ Apply Loctite 545 to threads before installation.
- ⑭ Torque to 10-15 ft-lbs [14-20 Nm].
- ⑮ Apply Loctite 242. Torque to 120-140 in-lbs [15-18 Nm].
- ⑯ Apply Teflon tape to threads of shipping plug.

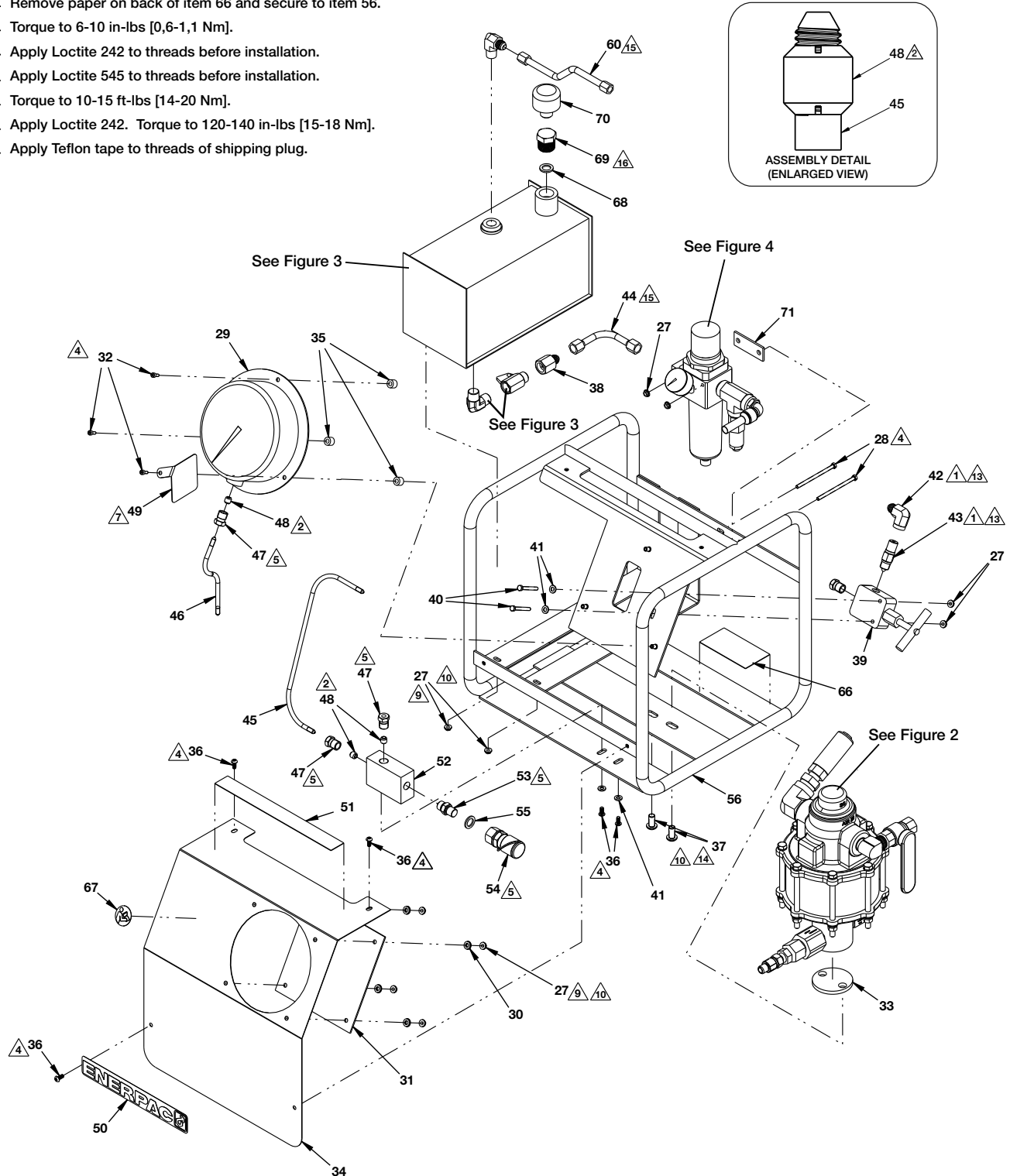


Figure 1, Pump Main Assembly

**Repair Parts List (Refer to figure 1)**

Item	Part Number	Qty.	Description	Item	Part Number	Qty.	Description
6	F157021	1	HP Nut, 3/8	45	DD1002268	1	Tubing, High Pressure
27	DD1004122	12	Nut, M5 Serrated	46	DD1003268	1	Tubing, High Pressure
28	CBE543046-1A	2	Screw Hex Hd M5 x 70mm	47	F160021	4	Nut, 1/4 HP
29	DD1018223	1	Gauge, Hyd. Pressure	48	F162232	4	Sleeve, 1/4
30	DC1063108	4	Washer, Sealing	49	DD1006226	1	Label, Operation
31	DD1005689	1	Guard, Hyd. Press. Gauge	50	G995026	1	Decal, Enerpac
32	CBE415028-1A	3	Screw, M4 x 10mm	51	DC7812026	1	Decal, Warning
33	DD1014097	1	Spacer, Celcon (pump)	52	DC8493690	1	Port Block
34	DD1349242	1	Shroud (late style)	53	DC8505038	1	Adaptor
36	CBE515028-1E	6	Screw, M5 Button Head	54	DC7495034	1	Coupler
37	DD1098046	2	Screw, Button Head 3/8	55	DC10159037	1	Bonded Seal
38	F100094-117	1	Connector, 3/8 NPT Tube	56	DD1345201	1	Roll Frame (late style)
39	DC8508662	1	Pressure Release Valve	60	DD1347268	1	Tube Assembly
40	CBE529046-1A	2	Screw, M5 Hex Head 40mm	66	DD1015126	1	Nameplate
41	CAE1060108-1A	6	Washer, Flat	67	DC9920026	1	Decal, Read Manual
42	F100094-127	1	Elbow, 3/8 Tube	68	DD1445118	1	Strainer Washer
43	DC8514038	1	Adaptor, 1/4HP x 1/4NPT	69	DD1451095	1	Hex Plug (for shipping only)
44	DD1348268	1	Tube Assembly	70	DD1444024	1	Vent Cap

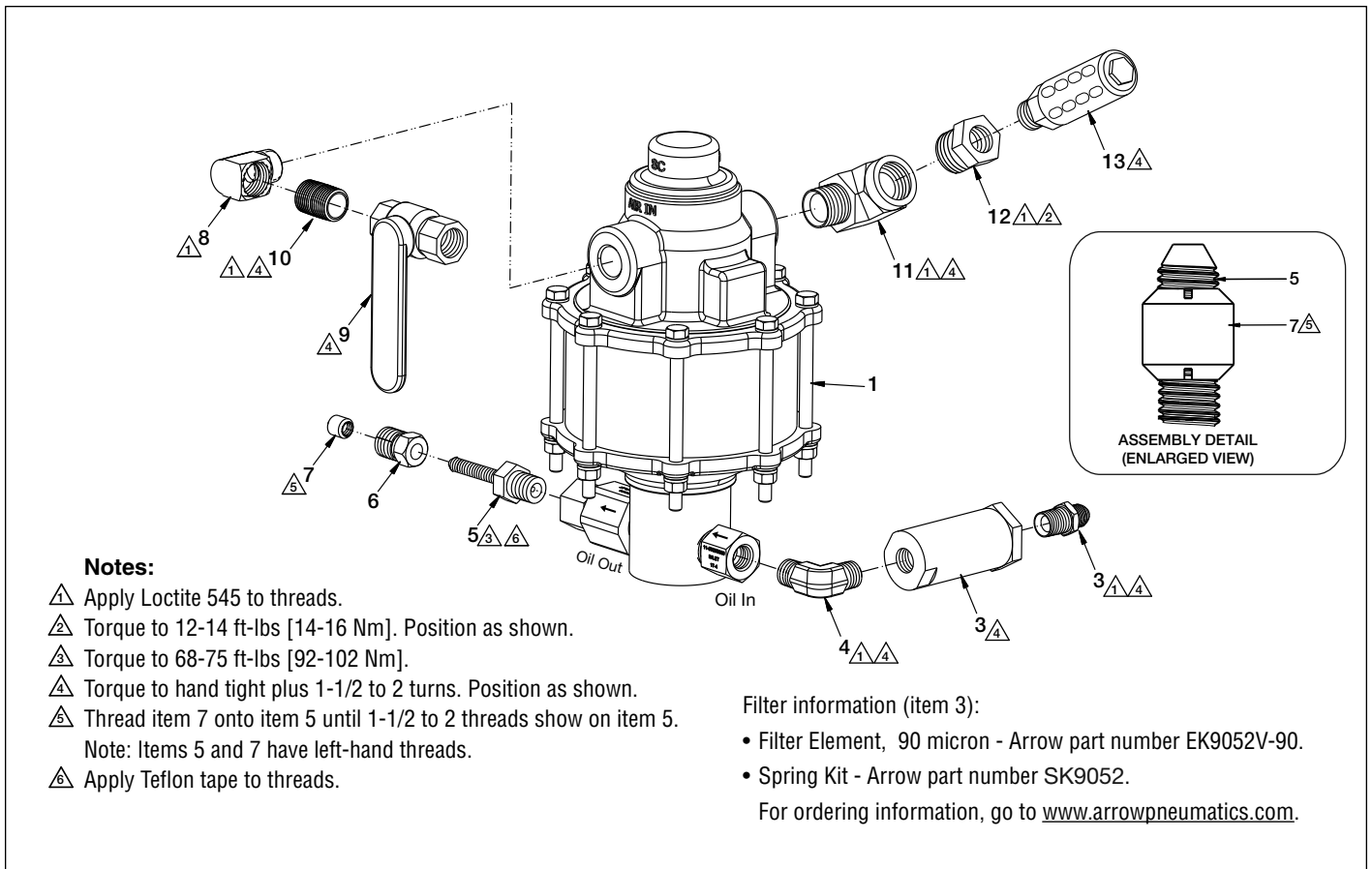


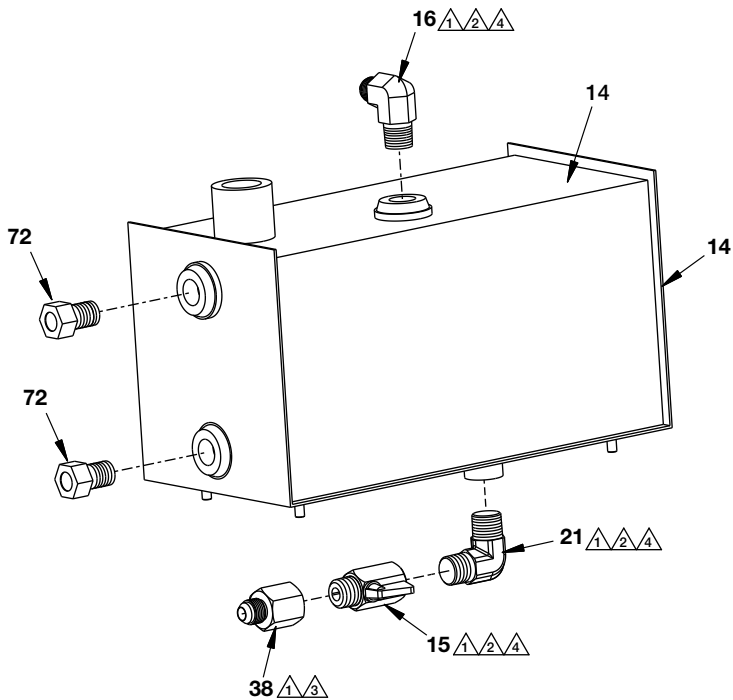
Figure 2, Pump Element Subassembly

Repair Parts List (Refer to figures 2, 3 and 4)							
Item	Part Number	Qty.	Description	Item	Part Number	Qty.	Description
1	★*DC8506221	1	Pump Element Assy	15	DC8507662	1	Shutoff Valve
2	F100094-19	1	Adaptor, 3/8 NPT	16	F100094-4	2	Elbow, Male
3	DD1013118	1	Filter, Inline (with element)	17	DC8526118	1	Assembly, Filter-Regulator
4	CJ456096	1	Elbow, 3/8	18	A1010245	1	Pipe Plug, 1/2
5	DC8495097	1	Adaptor	19	DD1022095	1	Elbow, 45 degree 1/8
6	F157021	1	HP Nut, 3/8	20	DC8527223	1	Gauge, Air Pressure
7	F73232	1	Sleeve, 3/8	21	CJ56096	1	Elbow, Male
8	DD2604095	1	Elbow, Pipe	22	DC8097095	1	Nipple, 1/2 NPT
9	DD1010662	1	Ball Valve	23	DA1234095	1	Tee, 1/2 NPT
10	DD2603431	1	Nipple, Brass	24	DC8511663	1	Safety Relief Valve
11	F100095-45	1	Elbow, 3/8	25	DC8509095	1	Elbow, Swivel 1/2 NPT
12	F100095-50	1	Reducer	26	DC8520646	1	Tubing, (0.2 ft. long)
13	DD1009116	1	Air Muffler	72	DD1446223	2	Sight Glass
14	DD1346025	1	Reservoir				

★ For "oil side" pump element repair kit, order item DC8506221OILSR.

\* For "air side" pump element repair kit, order item DC8506221AIRSR.

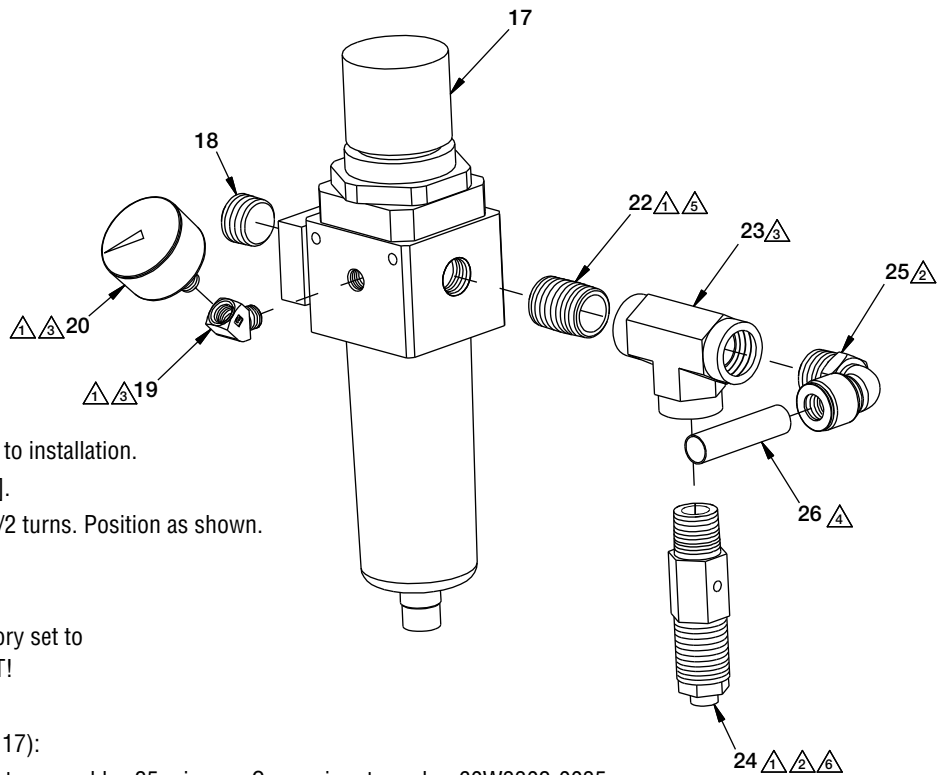
**Note:** Item 1 includes a complete pump element assembly, including hydraulic pump and air motor.



**Notes:**

- ⚠ Position fitting as shown.
- ⚠ Apply Loctite 545.
- ⚠ Torque to 27-33 Ft-Lbs. [37-44 Nm].
- ⚠ Torque to 27-33 Ft-Lbs. [37-44 Nm] minimum.

**Figure 3, Reservoir Subassembly**



**Notes:**

- ⚠ Apply Loctite 545 to threads prior to installation.
- ⚠ Torque to 20-22 ft-lbs [27-30 Nm].
- ⚠ Torque to hand tight plus 1 to 1-1/2 turns. Position as shown.
- ⚠ Push until bottomed out.
- ⚠ Hand tighten.
- ⚠ **Important:** Safety relief valve factory set to 90 PSI [6,2 bar]. DO NOT ADJUST!

**Filter/Regulator information (item 17):**

- Bowl filter element and baffle plate assembly, 25 micron - Camozzi part number 60W3302-0035.
- Bowl filter element only, 25 micron - Camozzi part number 70-3302-0034.
- Auto drain bowl assembly - Camozzi part number C238-F11/3.

For ordering information, go to [www.camozzi.com](http://www.camozzi.com).

**Figure 4, Air Line Subassembly**

## Enerpac Worldwide Locations

◆ e-mail: [info@enerpac.com](mailto:info@enerpac.com)

◆ internet: [www.enerpac.com](http://www.enerpac.com)

### Australia and New Zealand

Actuant Australia Ltd.  
Block V Unit 3  
Regents Park Estate  
391 Park Road  
Regents Park NSW 2143  
(P.O. Box 261) Australia  
T +61 297 438 988  
F +61 297 438 648  
[sales-au@enerpac.com](mailto:sales-au@enerpac.com)

### Brazil

Power Packer do Brasil Ltda.  
Rua dos Inocentes, 587  
04764-050 - Sao Paulo (SP)  
T +55 11 5687 2211  
F +55 11 5686 5583  
Toll Free: 0800 891 5770  
[vendasbrasil@enerpac.com](mailto:vendasbrasil@enerpac.com)

### Canada

Actuant Canada Corporation  
6615 Ordan Drive, Unit 14-15  
Mississauga, Ontario L5T 1X2  
T +1 905 564 5749  
F +1 905 564 0305  
Toll Free:  
T +1 800 268 4987  
F +1 800 461 2456  
[customer.service@actuant.com](mailto:customer.service@actuant.com)

### China (Taicang)

Actuant (China) Industries Co. Ltd.  
No.6 Nanjing Road,  
Taicang Economic Dep Zone  
Jiangsu, China  
T +86 0512 5328 7500  
F +86 0512 5335 9690  
[sales-cn@enerpac.com](mailto:sales-cn@enerpac.com)

### China (Beijing)

Actuant (China) Industries Co. Ltd.  
709B Diyang Building  
Xin No. 2, Dong San Huan North Rd.  
Beijing City, 100028 China  
T +86 10 845 36166  
F +86 10 845 36220  
[sales-cn@enerpac.com](mailto:sales-cn@enerpac.com)

### France, Switzerland, North Africa and French speaking African countries

ENERPAC  
Une division d'ACTUANT France  
S.A.S.  
ZA de Courtaboeuf  
32, avenue de la Baltique  
91140 VILLEBON /YVETTE  
France  
T +33 1 60 13 68 68  
F +33 1 69 20 37 50  
[sales-fr@enerpac.com](mailto:sales-fr@enerpac.com)

### Germany and Austria

ENERPAC GmbH  
P.O. Box 300113  
D-40401 Düsseldorf  
Willstätterstrasse 13  
D-40549 Düsseldorf, Germany  
T +49 211 471 490  
F +49 211 471 49 28  
[sales-de@enerpac.com](mailto:sales-de@enerpac.com)

### India

ENERPAC Hydraulics Pvt. Ltd.  
No. 1A, Peenya Industrial Area  
IInd Phase, Bangalore, 560 058, India  
T +91 80 40 792 777  
F +91 80 40 792 792  
[sales-in@enerpac.com](mailto:sales-in@enerpac.com)

### Italy

ENERPAC S.p.A.  
Via Canova 4  
20094 Corsico (Milano)  
T +39 02 4861 111  
F +39 02 4860 1288  
[sales-it@enerpac.com](mailto:sales-it@enerpac.com)

### Japan

Applied Power Japan LTD KK  
Besshocho 85-7  
Kita-ku, Saitama-shi 331-0821, Japan  
T +81 48 662 4911  
F +81 48 662 4955  
[sales-jp@enerpac.com](mailto:sales-jp@enerpac.com)

### Middle East, Egypt and Libya

ENERPAC Middle East FZE  
Office 423, LOB 15  
P.O. Box 18004, Jebel Ali, Dubai  
United Arab Emirates  
T +971 (0)4 8872686  
F +971 (0)4 8872687  
[sales-ua@enerpac.com](mailto:sales-ua@enerpac.com)

### Russia

Rep. office Enerpac  
Russian Federation  
Admiral Makarova Street 8  
125212 Moscow, Russia  
T +7 495 98090 91  
F +7 495 98090 92  
[sales-ru@enerpac.com](mailto:sales-ru@enerpac.com)

### Singapore

Actuant Asia Pte Ltd.  
83 Joo Koon Circle  
Singapore 629109  
T +65 68 63 0611  
F +65 64 84 5669  
Toll Free: +1800 363 7722  
[sales-sg@enerpac.com](mailto:sales-sg@enerpac.com)

### South Korea

Actuant Korea Ltd.  
3Ba 717, Shihwa Industrial Complex  
Jungwang-Dong, Shihung-Shi,  
Kyunggi-Do  
Republic of Korea 429-450  
T +82 31 434 4506  
F +82 31 434 4507  
[sales-kr@enerpac.com](mailto:sales-kr@enerpac.com)

### Spain and Portugal

ENERPAC SPAIN, S.L.  
Avda. Los Frailes, 40 – Nave C & D  
Pol. Ind. Los Frailes  
28814 Daganzo de Arriba  
(Madrid) Spain  
T +34 91 884 86 06  
F +34 91 884 86 11  
[sales-es@enerpac.com](mailto:sales-es@enerpac.com)

### Sweden, Denmark, Norway, Finland and Iceland

Enerpac Scandinavia AB  
Fabriksgatan 7  
412 50 Gothenburg  
Sweden  
T +46 (0) 31 799 0281  
F +46 (0) 31 799 0010  
[scandinavianinquiries@enerpac.com](mailto:scandinavianinquiries@enerpac.com)

### The Netherlands, Belgium, Luxembourg, Central and Eastern Europe, Baltic States, Greece, Turkey and CIS countries

ENERPAC B.V.  
Galvanistraat 115  
6716 AE Ede  
P.O. Box 8097  
6710 AB Ede  
The Netherlands  
T +31 318 535 800  
F +31 318 535 848  
[sales-nl@enerpac.com](mailto:sales-nl@enerpac.com)

Enerpac Integrated Solutions B.V.  
Opaalstraat 44  
7554 TS Hengelo  
P.O. Box 421  
7550 AK Hengelo  
The Netherlands  
T +31 74 242 20 45  
F +31 74 243 03 38  
[integratedsolutions@enerpac.com](mailto:integratedsolutions@enerpac.com)

### South Africa and other English speaking African countries

ENERPAC B.V.  
Galvanistraat 115  
6716 AE Ede  
P.O. Box 8097  
6710 AB Ede  
The Netherlands  
T +31 318 535 911  
F +31 318 525 613  
[sales-za@enerpac.com](mailto:sales-za@enerpac.com)

### United Kingdom and Ireland

ENERPAC Ltd.,  
Bentley Road South  
Darlaston, West Midlands  
WS10 8LQ  
England  
T +44 (0)121 50 50 787  
F +44 (0)121 50 50 799  
[sales-uk@enerpac.com](mailto:sales-uk@enerpac.com)

### USA, Latin America and Caribbean

ENERPAC  
P.O. Box 3241  
6100 N. Baker Road  
Milwaukee  
WI 53209 USA  
T +1 262 781 6600  
F +1 262 783 9562  
User inquiries:  
+1 800 433 2766  
Distributor inquiries/orders:  
+1 800 558 0530  
[sales-us@enerpac.com](mailto:sales-us@enerpac.com)

All Enerpac products are guaranteed  
against defects in workmanship and  
materials for as long as you own them.

For the location of your nearest authorized  
Enerpac Service Center, visit us at  
[www.enerpac.com](http://www.enerpac.com)