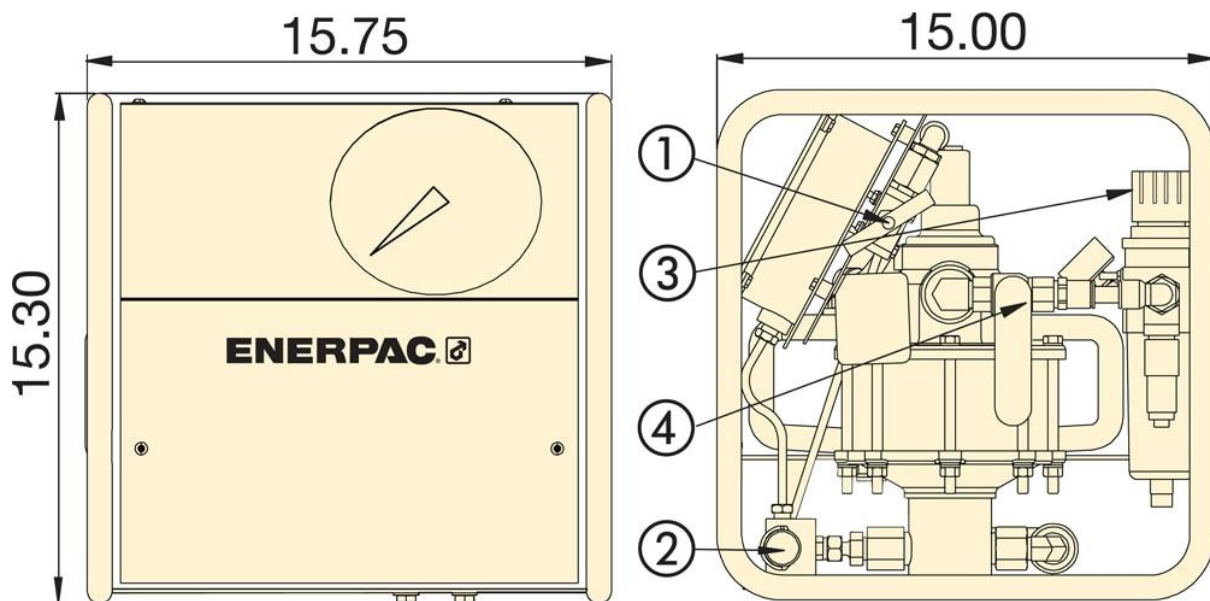


Specifications

Units: **Imperial** Metric

Maximum Operating Pressure (psi)	21,750
Reservoir Capacity (in ³)	231
Usable Oil Capacity (in ³)	231
Usable Oil Capacity (gal)	1
Maximum Flow at Rated Pressure	4 in ³ /min
Output Flow Rate (in ³ /min) at 0 psi	26
Output Flow Rate (in ³ /min) at 21750 psi	4
Power Source	Air
Air Pressure Range (psi)	80 - 90
Air Consumption (scfm)	70
Sound Level (dBa)	70
Weight (lbs)	65



- ① **HPT Shut-off Valve**
- ② **1/4" BSPP HPT Out Port**
- ③ **Filter/Regulator**
- ④ **Air On/Off Valve**