

# BATTERY TORQUE WRENCH

REPEATABLE ACCURACY. POWER THAT LASTS THROUGHOUT YOUR WORKDAY



**BTW-SERIES**

**ENERPAC** 

▼ BTW1000E, Battery Torque Wrench



### Pinpoint Precision, Time After Time

- Integrated digital motor vectoring system delivers accurate and repeatable torque up to 6000 Ft.lbs (8130 Nm).
- The most comprehensive pre-programing and calibration process of any battery torque wrench in the world.
- Delivering +/- 5% accuracy throughout the complete usable range of the tool.

### The Solo Torque Expert

- Go wherever the job takes you with the handheld, battery-powered design.
- Single-operator usage for unparalleled productivity without cords or hoses.

### Set in Seconds

- Set your torque target swiftly and torque with ease, thanks to the intuitive LED display.

### Power that Lasts Throughout Your Workday

- Supplied as standard with two Enerpac 18 V 5.5 Ah Lithium-ion batteries and a 60-minute fast-charger. 8 Ah battery option available separately.
- Highly efficient and low maintenance brushless motor runs cooler and maximizes your productivity, even in remote or hard-to-reach areas.
- Effortlessly switch between any compatible Cordless Alliance System (CAS) battery for unmatched versatility and savings.

### Torque With Confidence

- Ergonomic glass-filled Nylon handle with a durable slip-resistant overmould.
- Convenient start trigger operation.
- Compatible with standard impact quality sockets.
- Planetary gear design provides smooth and consistent torque.
- Hardened steel alloy square drive withstands high levels of torque and resists wear and tear.
- Robust cast reaction arm provides a safe and strong reaction point.

## Ready, Set, Torque!



### Ordering Convenience

Choose a complete set with a wrench, two batteries, and a battery quick charger, or opt for the wrench only.

All items are housed in a sturdy storage case. Additional Quick Chargers and spare batteries can be ordered separately.



### Quick Charger & Batteries

The batteries are fully charged in 40 - 60 minutes.

Quick Charger	Model Nr.
115 Volt North America	EC181BQC
230 Volt Europe	EC182EQC
230 Volt Australia	EC182AUSQC

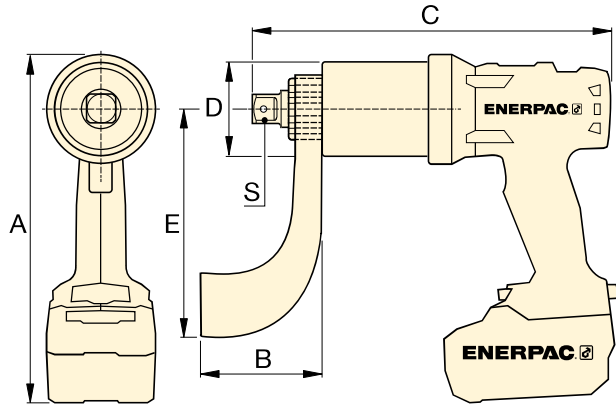
Lithium-Ion Batteries	Model Nr.
18 Volt, 5.5 Ah (standard)	EB18V5
18 Volt, 8 Ah	EB18V8

▼ BTW-Series: Handheld, battery-powered design and single-operator usage provides unparalleled portability. No cords, no hoses, no worries.



# Battery Torque Wrench, Square Drive

## BTW Series



Maximum Torque Output:  
**500 - 6000 Ft.lbs**

Maximum Torque Output:  
**670 - 8130 Nm**

Square Drive Range:  
**3/4 - 1 - 1 1/2 inch**

### ▼ SELECTION CHART

Maximum Torque Output		Square Drive S (inch)	Model Number <sup>1)</sup> Complete Battery Torque Wrench	Minimum Torque Output		Speed (min. - max.) (RPM)	Dimensions (inch)					Weight <sup>2)</sup> (lbs)	Dimensions (mm)					Weight <sup>2)</sup> (kg)
(Ft.lbs)	(Nm)			(Ft.lbs)	(Nm)		A	B	C	D	E		A	B	C	D	E	
500	670	3/4	<b>BTW500E</b>	120	160	12 - 20	10.4	3.63	8.86	2.56	4.29	10.4	265	93	225	65	109	4,7
1000	1350	1	<b>BTW1000E</b>	240	330	2 - 8	10.4	3.63	10.97	2.85	4.29	14.5	265	92	279	72,4	109	6,6
2000	2710	1	<b>BTW2000E</b>	500	680	1 - 5	10.4	4.00	11.45	3.09	5.25	15.9	265	101	291	78,5	133	7,2
3000	4030	1	<b>BTW3000E</b>	750	1020	0,5 - 2	10.4	4.00	13.94	3.75	5.25	20.9	265	101	355	95,3	133	10,2
6000	8130	1 1/2	<b>BTW6000E</b>	1200	1630	0,9 - 1,2	11.4	7.25	14.86	5.00	8.00	43.4	289	184	377	127	203	19,7

<sup>1)</sup> Complete set include Wrench, Reaction Arm, Quick Charger and 18V 5.5 Ah Batteries, all in a sturdy case.

For wrench only remove "E". Example: **BTW1000**.

For 115 V with USA-plug change "E" into "B". Example **BTW1000B**.

For 230 V with Australian plug change "E" into "AUS". Example **BTW1000AUS**.

<sup>2)</sup> Weight including Reaction Arm and Battery.

▼ Go wherever the job takes you with the handheld, battery-powered design.

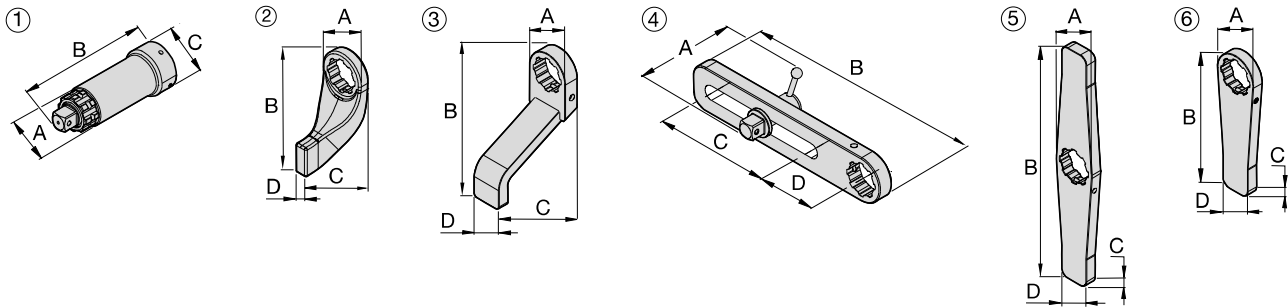


# Accessories for BTW-Series Torque Wrenches **ENERPAC**

## ▼ Accessories for BTW-Series Battery Torque Wrenches



▲ BTW-Series accessories for further extending the application range.



Optional Accessories for use with BTW500				Dimensions (inch)				Dimensions (mm)			
Nr.	Description	Model Nr.	Application	A	B	C	D	A	B	C	D
1	Extended Drive, 6 inch (152 mm)	<b>ED6TW</b>	Nose extension, for truck wheel bolts	1.97	6.81	2.24	–	50	173	57	–
1	Extended Drive, 12 inch (305 mm)	<b>ED12TW</b>	Nose extension, for truck wheel bolts	1.97	12.80	2.24	–	50	325	57	–
1	Extended Drive, 18 inch (457 mm)	<b>ED18TW</b>	Nose extension, for truck wheel bolts	1.97	18.82	2.24	–	50	478	57	–
2	Standard Reaction Arm	<b>RATW</b>	Standard arm included with BTW	2.52	4.29	3.62	0.63	64	109	92	16
3	Extended Reaction Arm	<b>ERATW</b>	Long plate, use with deep well sockets	2.52	6.77	5.63	1.54	64	172	143	39
4	Sliding Reaction Arm	<b>SLRATW</b>	For widely spaced and uneven bolt centers	4.17	14.25	7.99	4.02	106	362	203	102
5	Double Straight Reaction Arm	<b>DSATW</b>	Reduces time to reposition arm *	2.52	12.01	0.63	1.26	64	305	16	32
6	Straight Reaction Arm	<b>SRATW</b>	Long plate for wide spaced reaction points	2.52	7.24	0.63	1.26	64	184	16	32

Optional Accessories for use with BTW1000, 2000, 3000				Dimensions (inch)				Dimensions (mm)			
Nr.	Description	Model Nr.	Application	A	B	C	D	A	B	C	D
1	Extended Drive, 6 inch (152 mm)	<b>ED6TWS</b>	Nose extension, for truck wheel bolts	2.44	8.11	2.87	–	62	206	73	–
1	Extended Drive, 12 inch (305 mm)	<b>ED12TWS</b>	Nose extension, for truck wheel bolts	2.44	15.12	2.87	–	62	384	73	–
1	Extended Drive, 18 inch (457 mm)	<b>ED18TWS</b>	Nose extension, for truck wheel bolts	2.44	20.12	2.87	–	62	511	73	–
2	Standard Reaction Arm	<b>RATWS</b>	Standard arm included with BTW	2.99	6.77	4.02	0.83	76	172	102	21
3	Extended Reaction Arm	<b>ERATWS</b>	Long plate, use with deep well sockets	2.87	5.91	7.95	2.01	73	150	202	51
4	Sliding Reaction Arm	<b>SLRATWS</b>	For widely spaced and uneven bolt centers	4.41	15.00	7.99	4.02	112	381	203	102
5	Double Straight Reaction Arm	<b>DSATWS</b>	Reduces time to reposition arm *	2.87	15.98	0.75	4.02	73	406	19	102
6	Straight Reaction Arm	<b>SRATWS</b>	Long plate for wide spaced reaction points	2.87	9.45	0.75	2.01	73	240	19	51

Optional Accessories for use with BTW6000				Dimensions (inch)				Dimensions (mm)			
Nr.	Description	Model Nr.	Application	A	B	C	D	A	B	C	D
1	Extended Drive 6 inch (152 mm)	<b>ED6TWL</b>	Nose extension, primarily for truck wheel bolts	3.31	9.13	4.02	–	84	232	102	–
1	Extended Drive 12 inch (305 mm)	<b>ED12TWL</b>	Nose extension, primarily for truck wheel bolts	3.31	15.12	4.02	–	84	384	102	–
2	Standard Reaction Arm	<b>RATWL</b>	Standard arm included with BTW model	4.02	9.02	5.75	1.26	102	229	146	32
3	Extended Reaction Arm	<b>ERATWL</b>	Long plate for use with deep well sockets	4.02	10.00	7.24	2.52	102	254	184	64
4	Sliding Reaction Arm	<b>SLRATWL</b>	For widely spaced and uneven bolt centers	5.98	16.50	7.48	4.49	152	419	190	114
5	Double Straight Reaction Arm	<b>DSATWL</b>	Reduces time to reposition arm *	4.02	20.00	1.26	2.24	102	508	32	57
6	Straight Reaction Arm	<b>SRATWL</b>	Long plate for wide spaced reaction points	4.02	12.01	1.26	2.24	102	305	32	57

\* Time to reposition arm when repeatedly moving from tightening to loosening.