

# MECHANICAL JACKS

CJ Series Rack Jacks



CJ15 & CJ100 Shown

Capacity Range .....▶ 1.65 - 11.13 tons  
 Stroke Range .....▶ 13.78 in.  
 Minimum Height Range .....▶ 28.54 in.

- ▶ Developed in accordance with the latest safety regulations.
- ▶ Suitable for lifting loads of any type.
- ▶ The jack is rated for full capacity at both the head and toe lifts.
- ▶ Lifting with either fixed toe or on clawed head.
- ▶ Low expenditure of force through optimal ratio.

Mechanical Jacks



### FOLDING HANDLE

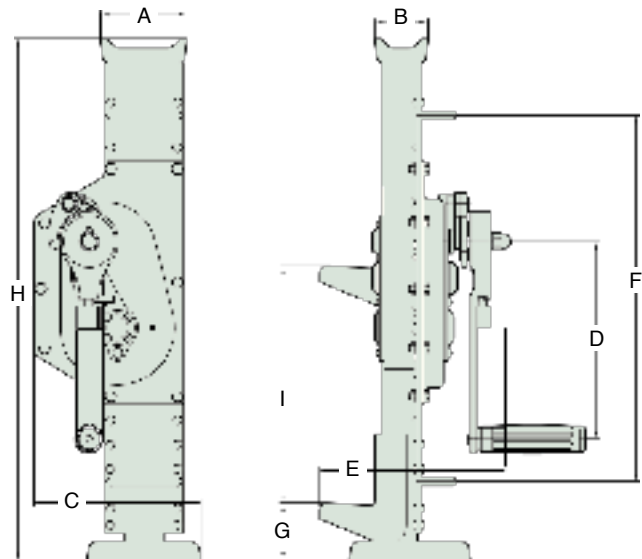
Safety crank with folding handle.



### CE COMPLIANT

Our Jack design specifications meet or exceed ANSI /ASME B30.1 Safety Standards.

Here a CJ100 is used to position this cargo container for repair. Its solid base provides greater stability and more surface area.▼



Model	Head/Toe Capacity (tons)	Dimensions (in)									Weight (lbs)
		A	B	C	D	E	F	G	H	I	
		Width	Depth	Width	Length	Depth	Length	Height	Minimum Height	Stroke	
<b>CJ15</b>	1.65	3.54	1.97	5.94	9.84	7.95	20.67	2.56	28.54	13.78	29.76
<b>CJ30</b>	3.31	3.94	1.97	8.03	9.84	8.39	20.67	2.76	28.54	13.78	48.50
<b>CJ50</b>	5.51	4.33	2.68	8.31	9.84	9.29	20.67	2.76	28.54	13.78	61.72
<b>CJ100</b>	11.13	5.51	2.76	10.12	11.81	11.69	23.23	3.15	31.50	13.78	101.41