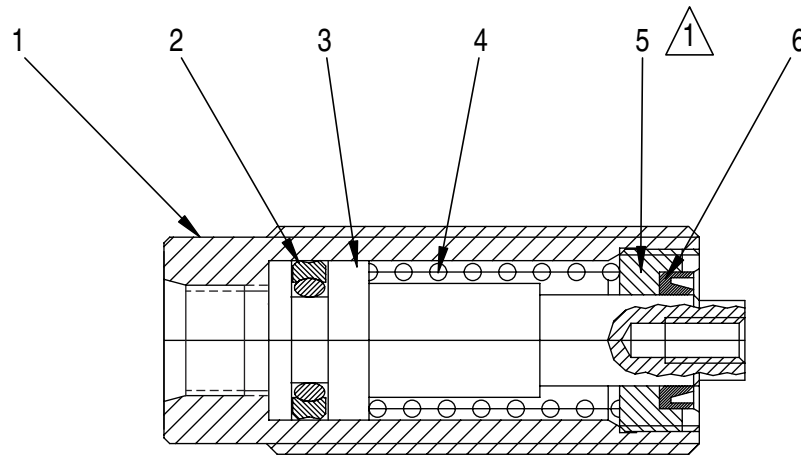


**To Protect Your Warranty, Use Only ENERPAC Hydraulic Oil.**

Enerpac recommends that all kit components be installed to insure optimum performance of the repaired product.



NOTE:



Spray threads on base (item 1) and stop ring (item 5) with Loctite Activator #7649. Apply Loctite #222 to threads after Activator has dried. Assemble and torque stop ring (item 5) to 50-100 In-Lbs (5-11 Nm).

**Parts List - CST 9 Series Cylinders**

Item						Qty.	Description
	CST971	CST9131	CST9191	CST9251	CST9381		
1	DC6941030	DC6942030	DC6943030	DC6944030	DC6945030	1	Base
2	DC4702076	DC4702076	DC4702076	DC4702076	DC4702076	1	★ Seal, Piston
3	DC4664040	DC4665040	DC4666040	DC4667040	DC4668040	1	Plunger
4	PA1770110	PA1771110	PA1772110	PA1773110	PA1774110	1	Spring
5	PA2800044	PA2800044	PA2800044	PA2800044	PA2800044	1	Stop Ring
6	PA1768041	PA1768041	PA1768041	PA1768041	PA1768041	1	★ Wiper

★ Items included in and available only as part of Seal Kit CST9K1.

## Enerpac Worldwide Locations

### Africa

ENERPAC Middle East FZE  
Office 423, JAFZA 15  
P.O. Box 18004  
Jebel Ali, Dubai  
United Arab Emirates  
Tel: +971 (0)4 8872686  
Fax: +971 (0)4 8872687

### Australia, New Zealand

Actuant Australia Ltd.  
Block V Unit 3  
Regents Park Estate  
391 Park Road  
Regents Park NSW 2143  
(P.O. Box 261) Australia  
Tel: +61 297 438 988  
Fax: +61 297 438 648

### Brazil

Power Packer do Brasil Ltda.  
Rua dos Inocentes, 587  
04764-050 - Sao Paulo (SP)  
Tel: +55 11 5687 2211  
Fax: +55 11 5686 5583  
**Toll Free in Brazil:**  
Tel: 0800 891 5770  
vendasbrasil@enerpac.com

### Canada

Actuant Canada Corporation  
6615 Ordan Drive, Unit 14-15  
Mississauga, Ontario L5T 1X2  
Tel: +1 905 564 5749  
Fax: +1 905 564 0305  
**Toll Free:**  
Tel: +1 800 268 4987  
Fax: +1 800 461 2456  
**Technical Inquiries:**  
techservices@enerpac.com

### China

Actuant Industries Co. Ltd.  
No. 6 Nanjing Road  
Taicang Economic Dep Zone  
Jiangsu, China  
Tel: +86 0512 5328 7529  
+86 0512 5328 7500 7529  
Fax: +86 0512 5335 9690

### Actuant China Ltd. (Beijing)

709B Diyang Building  
Xin No. 2  
Dong San Huan North Rd.  
Beijing City  
100028 China  
Tel: +86 10 845 36166  
Fax: +86 10 845 36220

### Central and Eastern Europe, Greece

ENERPAC GmbH  
P.O. Box 300113  
D-40401 Düsseldorf  
Willstätterstrasse13  
D-40549 Düsseldorf  
Germany  
Tel: +49 211 471 490  
Fax: +49 211 471 49 28

### France, Switzerland francophone

ACTUANT - ENERPAC  
France S.A., ZA de Courtaboeuf  
32, avenue de la Baltique  
91140 Villebon / Yvette  
France  
Tel: +33 1 60 13 68 68  
Fax: +33 1 69 20 37 50

### Germany, Austria and Switzerland

ENERPAC GmbH  
P.O. Box 300113  
D-40401 Düsseldorf  
Willstätterstrasse13  
D-40549 Düsseldorf  
Germany  
Tel: +49 211 471 490  
Fax: +49 211 471 49 28

### India

ENERPAC Hydraulics  
(India) Pvt. Ltd.  
No. 1A,  
Peenya Industrial Area,  
IInd Phase  
Bangalore, 560 058 India  
Tel: +91 80 40 792 777  
Fax: +91 80 40 792 792

### Italy

ENERPAC S.p.A.  
Via Canova 4  
20094 Corsico (Milano)  
Tel: +39 02 4861 111  
Fax: +39 02 4860 1288

### Japan

Applied Power Japan LTD KK  
Besshochou 85-7  
Kita-ku,  
Saitama-shi 331-0821  
Japan  
Tel: +81 48 662 4911  
Fax: +81 48 662 4955

### Middle East, Turkey and Caspian Sea

ENERPAC Middle East FZE  
Office 423, JAFZA 15  
P.O. Box 18004  
Jebel Ali, Dubai  
United Arab Emirates  
Tel: +971 (0)4 8872686  
Fax: +971 (0)4 8872687

### Russia and CIS

(excl. Caspian Sea Countries)  
Actuant LLC  
Admiral Makarov Street 8  
125212 Moscow, Russia  
Tel: +7-495-9809091  
Fax: +7-495-9809092

### Scandinavia

ENERPAC Scandinavia AB  
Fabriksgatan 7  
41250 Gothenburg  
Sweden  
Tel: +46 31 7990281  
Fax: +46 31 7990010

### Singapore

Actuant Asia Pte. Ltd.  
37C, Benoi Road Pioneer Lot,  
Singapore 627796  
Tel: +65 68 63 0611  
Fax: +65 64 84 5669  
**Toll Free:** +1800 363 7722  
**Technical Inquiries:**  
techsupport@enerpac.com.sg

### South Korea

Actuant Korea Ltd.  
3Ba 717,  
Shihwa Industrial Complex  
Jungwang-Dong, Shihung-Shi, Kyunggi-Do  
Republic of Korea 429-450  
Tel: +82 31 434 4506  
Fax: +82 31 434 4507

### Spain and Portugal

ENERPAC SPAIN, S.L.  
Avda. Los Frailes, 40 - Nave C & D  
Pol. Ind. Los Frailes  
28814 DAGANZO DE ARRIBA (Madrid)  
Spain  
Tel: +34 91 661 11 25  
Fax: +34 91 661 47 89

◆ **internet:** [www.enerpac.com](http://www.enerpac.com)

### The Netherlands, Belgium, Luxembourg, Denmark, Norway, Finland and Baltic States

ENERPAC B.V.  
Galvanistraat 115, 6716 AE Ede  
P.O. Box 8097, 6710 AB Ede  
The Netherlands  
Tel: +31 318 535 911  
Fax: +31 318 525 613  
+31 318 535 848

**Technical Inquiries Europe:**  
techsupport.europe@enerpac.com

### United Kingdom, Ireland

Enerpac Ltd  
Bentley Road South  
Darlaston, West Midlands  
WS10 8LQ, United Kingdom  
Tel: +44 (0)121 50 50 787  
Fax: +44 (0)121 50 50 799

### USA, Latin America and Caribbean

ENERPAC  
P.O. Box 3241  
6100 N. Baker Road  
Milwaukee, WI 53209 USA  
Tel: +1 262 781 6600  
Fax: +1 262 783 9562

**User inquiries:**  
+1 800 433 2766

**Inquiries/orders:**  
+1 800 558 0530

**Technical Inquiries:**  
techservices@enerpac.com

ENERPAC  
704 W. Simonds  
Dallas, TX 75159 USA  
Tel: +1 972 287 2390  
Fax: +1 972 287 4469

All Enerpac products are guaranteed against defects in workmanship and materials for as long as you own them.  
For your nearest authorized Enerpac Service Center, visit us at [www.enerpac.com](http://www.enerpac.com)