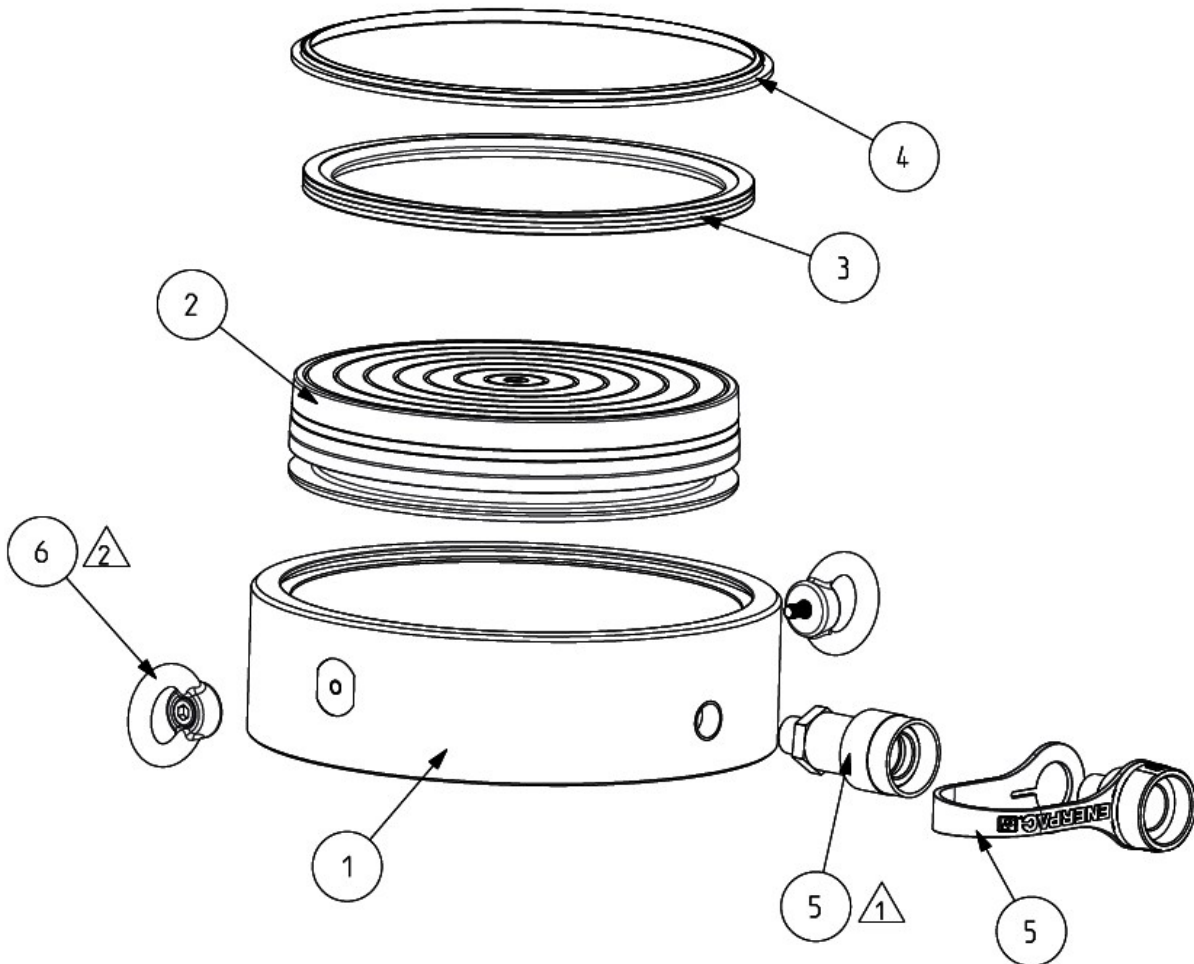



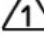
To Protect Your Warranty, Use Only ENERPAC Hydraulic Oil.


Enerpac recommends that all kit components be installed to insure optimum performance of the repaired unit.

Note: Apply Loctite 545 thread sealant to mating threads of items 1 and 5.



NOTES:

-  1/4" NPTF TORQUE TO 23-28 FT-LBS [32-38 Nm].
-  3/8" NPTF TORQUE TO 40-60 FT-LBS [55-81 Nm].

-  TORQUE TO 40-50 IN-LBS [3.5-5.5 Nm]

| Repair parts list for CUSP-Series cylinders, models CUSP10 through CUSP75 | | | | | | | |
|---|----------------------------|---------|---------------|---------------|---------------|---------------|--------------|
| Item | Description | Qty. | Part Number | Part Number | Part Number | Part Number | Part Number |
| | | | CUSP10 | CUSP20 | CUSP30 | CUSP50 | CUSP75 |
| 1 | CYLINDER BASE | 1 | B170042030-20 | B170042030-21 | B170042030-22 | B170042030-23 | B170042030-2 |
| 2 | PLUNGER | 1 | B170042040-20 | B170042040-21 | B170042040-22 | B170042040-23 | B170042040-2 |
| 3 | PISTON SEAL | 1 | * | * | * | * | * |
| 4 | SCRAPER | 1 | * | * | * | * | * |
| 5 | FEMALE COUPLER | 1 | AR630 | AR630 | AR630 | AR630 | AR630 |
| 6 | EYEBOLT | 2 | - | - | - | - | - |
| 7 | WARNING DECAL (NOT SHOWN) | 1 | *DB9304026 | *DB9304026 | *DB9304026 | *DB9304026 | *DB9304026 |
| 8 | ENERPAC DECAL (NOT SHOWN) | 1 | *DB8172026 | *DB8172026 | *DB8172026 | *DB8175026 | *DB8175026 |
| 9 | COUPLER O-RING (NOT SHOWN) | 1 | * | * | * | * | * |
| * INDICATES PARTS INCLUDED IN THE SERVICE KIT LISTED BELOW | | | | | | | |
| SERVICE KIT | | CUSP10K | CUSP20K | CUSP30K | CUSP50K | CUSP75K | |

| Repair parts list for CUSP-Series cylinders, Models CUSP100 through CUSP300 | | | | | | | |
|---|----------------------------|----------|--------------|--------------|--------------|--------------|--------------|
| Item | Description | Qty. | Part Number | Part Number | Part Number | Part Number | Part Number |
| | | | CUSP100 | CUSP150 | CUSP200 | CUSP250 | CUSP300 |
| 1 | CYLINDER BASE | 1 | B170042030-3 | B170042030-4 | B170042030-5 | B170042030-6 | B170042030-7 |
| 2 | PLUNGER | 1 | B170042040-3 | B170042040-4 | B170042040-5 | B170042040-6 | B170042040-7 |
| 3 | PISTON SEAL | 1 | * | * | * | * | * |
| 4 | SCRAPER | 1 | * | * | * | * | * |
| 5 | FEMALE COUPLER | 1 | CR400 | CR400 | CR400 | CR400 | CR400 |
| 6 | EYEBOLT | 2 | - | - | DB8099667 | DB8099667 | DB8099667 |
| 7 | WARNING DECAL (NOT SHOWN) | 1 | *DB9304026 | *DB9304026 | *DB9304026 | *DB9304026 | *DB9304026 |
| 8 | ENERPAC DECAL (NOT SHOWN) | 1 | *DB8175026 | *DB8177026 | *DB8177026 | *DB8177026 | *DB8177026 |
| 9 | COUPLER O-RING (NOT SHOWN) | 1 | * | * | * | * | * |
| * INDICATES PARTS INCLUDED IN THE SERVICE KIT LISTED BELOW | | | | | | | |
| SERVICE KIT | | CUSP100K | CUSP150K | CUSP200K | CUSP250K | CUSP300K | |

| Repair parts list for CUSP-Series cylinders, Models CUSP400 through CUSP1000 | | | | | | | |
|--|----------------------------|----------|--------------|--------------|---------------|---------------|---------------|
| Item | Description | Qty. | Part Number | Part Number | Part Number | Part Number | Part Number |
| | | | CUSP400 | CUSP500 | CUSP600 | CUSP750 | CUSP1000 |
| 1 | CYLINDER BASE | 1 | B170042030-8 | B170042030-9 | B170042030-10 | B170042030-11 | B170042030-12 |
| 2 | PLUNGER | 1 | B170042040-8 | B170042040-9 | B170042040-10 | B170042040-11 | B170042040-12 |
| 3 | PISTON SEAL | 1 | * | * | * | * | * |
| 4 | SCRAPER | 1 | * | * | * | * | * |
| 5 | FEMALE COUPLER | 1 | CR400 | CR400 | CR400 | CR400 | CR400 |
| 6 | EYEBOLT | 2 | DB8099667 | DB8099667 | DB8099667 | DB8099667 | DB8099667 |
| 7 | WARNING DECAL (NOT SHOWN) | 1 | *DB9304026 | *DB9304026 | *DB9304026 | *DB9304026 | *DB9304026 |
| 8 | ENERPAC DECAL (NOT SHOWN) | 1 | *DB8177026 | *DB8178026 | *DB8178026 | *DB8178026 | *DB8178026 |
| 9 | COUPLER O-RING (NOT SHOWN) | 1 | * | * | * | * | * |
| * INDICATES PARTS INCLUDED IN THE SERVICE KIT LISTED BELOW | | | | | | | |
| SERVICE KIT | | CUSP400K | CUSP500K | CUSP600K | CUSP750K | CUSP1000K | |