

L1672 Rev. A 02/98

IMPORTANT RECEIVING INSTRUCTIONS: Visually inspect all components for shipping damage. If any shipping damage is found, notify carrier at once. Shipping damage is NOT covered by warranty. The carrier is responsible for all repair or replacement cost resulting from damage in shipment.

SAFETY FIRST

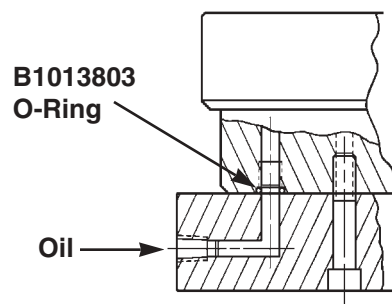
Carefully plan your system by selecting components designed to perform the intended operation and which will adequately perform with existing equipment. Always check the product limitations regarding pressure ranges, load capacities and set-up requirements. The system operating pressure must not exceed the pressure rating of the lowest rated component in the system. Read all CAUTIONS, WARNINGS, and INSTRUCTIONS included with, or attached to, each product. Follow all safety precautions to avoid personal injury or property damage during the system operation. ENERPAC CANNOT BE RESPONSIBLE FOR DAMAGE OR INJURY RESULTING FROM UNSAFE USE OF PRODUCT, LACK OF MAINTENANCE OR INCORRECT PRODUCT AND SYSTEM APPLICATION.

Contact ENERPAC when in doubt as to safety precautions, or applications.

Installation

These units can be mounted in any direction. All models except CY1254-25 can be mounted on a manifold (as shown at right). When manifold mounting, be sure fixture can withstand 3,000 psi working pressure. There are two tapped holes in the cylinder for mounting purposes. Use -20 socket head cap screws for CY1254-25; -16 socket head cap screws for CY2129-5, CY2129-25, and CY2754-5; and -14 socket head cap screws for CY3500-19. Use -27 NPTF male connector to connect hydraulic pressure line to the unit, or mount on a manifold. Tighten pressure line at the valve, but loosely thread onto cylinder fitting. Reduce hydraulic pressure to lowest possible setting, and activate valve to send fluid to the cylinder. When hydraulic fluid begins to leak from the cylinder connection, completely tighten pressure line. To further bleed the system, cycle cylinder several times with cylinder hydraulic connection facing up and with the cylinder lower than the pump. This will allow any trapped air to return to the pump reservoir.

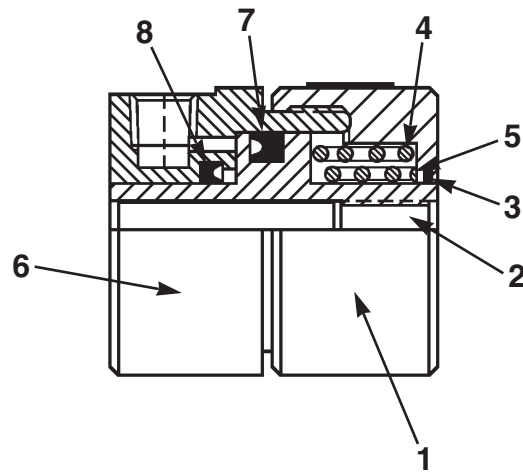
All CY series hollow cylinders have a **maximum operating pressure of 3000 psi.**



Typical Manifold Mounting



These cylinders are assembled under slight spring pressure. Use care when disassembling cylinder head cap (item 1) from cylinder body (item 6).



Parts List							
Item	Part Number CY1254-25	Part Number CY2129-5	Part Number CY2129-25	Part Number CY2754-5	Part Number CY3500-19	Qty.	Description
1	406076	406072	406072	406074	406039	1	Cylinder Head Cap
2	406075	4060712	4060711	406073	406038	1	Piston
3	★ B1221503	★ B1230503	★ B1230503	★ B1232503	★ B1265503	1	O-Ring
4	401739	401887	401887	401888	406053	1	Spring
5	401899	401835	401835	401889	-	1	Spring
6	406068	406070	406069	406067	406037	1	Cylinder Body
7	★ 403034	★ 403033	★ 403033	★ 403031	★ B1338513	1	Seal
8	★ 403035	★ 403032	★ 403032	★ CS370041	★ 402021	1	Seal
9	-	A1007245	A1007245	A1007245	A1007245	1	Flush Plug
	CY125425K	CY2129K	CY2129K	CY27545K	CY350019K		Repair Kit
★ Indicates items included in the above mentioned Repair Kits.							

Australia
ENERPAC
Applied Power Australia, Ltd.
P.O. Box 261 Regents Park
Sydney, N.S.W. 2143
Tel: (61) (2) 9743 8988
Fax: (61) (2) 9743 8648

CIS
Applied Power Moscow
Leninsky Prospekt 95A
117313 Moscow, Russia
Tel: (7)(95) 956 5090
Fax: (7)(95) 936 2006

**France, Switzerland,
Turkey, Greece, Africa,
Middle East**
ENERPAC S.A.
B.P.200, Parc d'Activités
du Moulin de Massy
1 rue du Saule Trapu,
F-91882 Massy CEDEX
(Paris) France
Tel: (33) 1 60 13 68 68
Fax: (33) 1 69 20 37 50

**Germany, Scandinavia,
Eastern Europe, Austria,
Switzerland**
ENERPAC
Applied Power GmbH
P.O. Box 30 01 13
Mündelheimer Weg 51
40472 Düsseldorf 30
Germany
Tel: (49) (211) 47 14 90
Fax: (49) (211) 4714 940

**Holland, Belgium,
and Luxemburg**
ENERPAC B.V.
P.O. Box 269, Storkstraat 25
3900AG Veenendaal
Holland
Tel: (31) (318) 535911
Fax: (31) (318) 525613

Hong Kong
ENERPAC
Applied Power Asia PTE LTD.
Room No. 907, Workingberg
Commercial Building
41-47 Marble Road,
North Point
Tel: (852) 2561-6285
Fax: (852) 2561-6772

India
ENERPAC
Hydraulics (India) Pvt Ltd.
203 Vardhaman Chambers
Plot #84, Sector 17
Vashi, New Bombay 400 705
Maharashtra, India
Tel: 91-22-7632061
Fax: 91-22-7670309

Italy
ENERPAC
Applied Power Italiana S.p.A.
Via Canova, 4
20094 Corsico (Milano)
Italy
Tel: 39 2 45 82 741
Fax: 39 2 48 60 12 88

Japan
Applied Power Japan LTD
10-17 Sasame Kita-cho
Toda-City
Saitama 335,
Japan
Tel: 81 048 422 2251
Telex: J26275
Fax: 81 048 422 0596

Mexico
ENERPAC
Applied Power Mexico
Av. Principal La Paz #100
Fracc. Industrial La Paz
42092 Pachuca, Hidalgo, Mexico
Tel: (52) 771 33700
Fax: (52) 771 83800

Singapore
Applied Power Asia PTE LTD.
47 Jalan Pemimpin #01-02 &
#01-03 Sin Cheong Building
Singapore 577200
Tel: (65) 258 1677
Fax: (65) 258 2847

South Korea
ENERPAC
Applied Power Korea Ltd.
163-12, Dodang-Dong
Wonmi-ku, Buchun-Shi,
Kyunggi-Do
Republic of Korea
Tel: (82) (32) 675 0836
Fax: (82) (32) 675 3002

Spain, Portugal
ENERPAC
Applied Power International, S.A.
Calle de la Imprenta, 7
Poligono Industrial
28100 Acobendas (Madrid)
Spain
Tel: (34) 1 661 11 25
Fax: (34) 1 661 47 89

United Kingdom, Ireland
ENERPAC Ltd. Unit 3
Colemeadow Road
North Moons Moat
Redditch, Worcester B98 9BP
England
Tel: 44 01527 598 900
Fax: 44 01527 585 500

**United States, Canada,
Latin America and
Caribbean**
ENERPAC
13000 West Silver Spring Drive
Butler, Wisconsin 53007, USA
Tel: (414) 781-6600
1-800-433-2766 (End User)
1-800-558-0530 (Distributor)
Fax: (414) 781-1049

Canada
Tel: 1-800-426-4129 (End User)
Tel: 1-800-426-2284 (Distributor)

Latin America and Caribbean
Tel: (414) 781-6600 ext. 263
Fax: (414) 781-5561



All Enerpac products are guaranteed against defects in workmanship and materials for as long as you own them. Under this guarantee, free repair or replacement will be made to your satisfaction.

For prompt service, contact your Authorized Enerpac Service Center or call toll free:

In U.S.A. 1-800-558-0530

In Canada 1-800-426-2284