

▼ Shown from left to right: E291, E393, E494



Accurate, Efficient Torque Multiplication

When accurate make-up or break-out of stubborn fasteners requires high torque

- High-efficiency planetary gear sets achieve high output torque from low input torque
- Most models operator protected by anti-backlash device
- Multiplier output accuracy $\pm 5\%$ of input torque
- Reversible, tighten or loosen bolts
- Reaction bar or reaction plate type
- Angle-of-turn protractor standard on E300 series models
- Reaction plate models offer increased versatility with reaction point locations
- E300 and E400 series replaceable shear drives provide overload protection of internal power train
- One replacement shear drive is included with each E300 and E400-Series models



Typical Torque Multiplier Applications

- Locomotives
- Power plants
- Pulp and paper mills
- Refineries
- Chemical plants
- Mining and construction
- Off-road equipment
- Shipyards
- Cranes



▼ SELECTION CHART

| Torque Multiplier Type | Nominal Torque Output | | Model Number |
|---------------------------|-----------------------|--------|-----------------|
| | (Ft.lbs) | (Nm) | |
| Reaction Bar Multiplier | 750 | 1020 | E290PLUS |
| | 1000 | 1358 | E291 |
| | 1200 | 1627 | E391 |
| | 2200 | 2983 | E392 |
| | 3200 | 4340 | E393 |
| Reaction Plate Multiplier | 2200 | 2983 | E492 |
| | 3200 | 4339 | E493 |
| | 5000 | 67879 | E494 |
| | 8000 | 10,846 | E495 |



Manual Torque Multipliers

Enerpac manual torque multipliers provide efficient torque multiplication in wide clearance applications and when external power sources are not available.

Manual torque multipliers are used in most industrial, construction, and equipment maintenance applications. Hydraulic torque wrenches are better suited for tight tolerance, flange and repetitious bolting applications.

Use Reaction Bar Models:

- where space is limited
- where multiple reaction points are available
- when portability is desirable

Use Reaction Plate Models:

- above 3200 Ft.-lbs. output torque
- on flanges and applications where neighboring bolt or nut is available to react against
- when extreme reaction forces are generated

E Series



Nominal Output Torque:

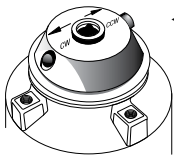
750 - 8000 Ft.lbs

Torque Ratio:

3.3:1 - 52:1

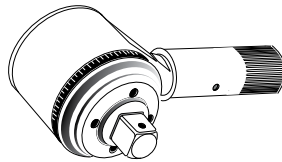
Multiplier Output Ratio Accuracy:

± 5 %



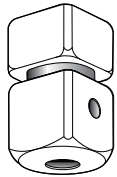
Selector Pawl

Models with anti-backlash protection have directional selector pawls. Set the pawl for clockwise or counter-clockwise rotation.



Angle-of-Turn Protractor

E391, E392 and E393 models include an angle-of-turn protractor (scale) to tighten fasteners using a "torque turn" method. Allows accurate measuring a specific number of degrees of rotation.



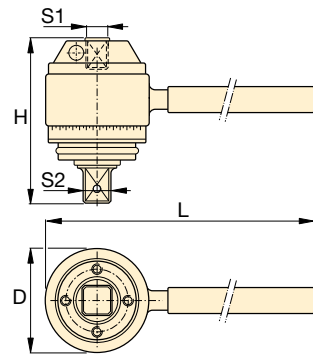
Shearable Square Drive

Designed to provide overload protection on E300- and E400-series multiplier power train by shearing when excess input torque is applied. Internal shear pin prevents tool from falling off bolt.

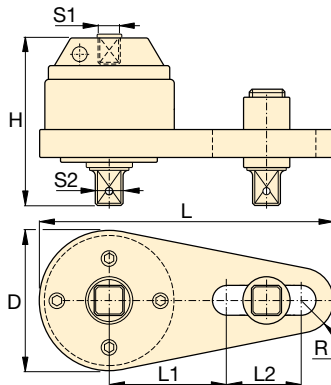


CAUTION!

Never use impact type air tools for power driving torque multipliers. Torque multiplier drive train damage will occur.



Reaction Bar Type ¹⁾



Reaction Plate Type ¹⁾



BSH-Series Sockets

Heavy-Duty Impact Sockets for power driven torquing equipment.

Page: 244



Back-Up Spanners

Hands free tool to be used to stop back nut from turning during make up or break out. Two hex sizes in one tool.

Page: 245

| Input Torque | | Torque Ratio | Input Female Square Drive | Output Male Square Drive | | Over-load Protection | Anti-Back-lash | Dimensions (in) | | | | | | Wt. (lbs) | Model Number |
|--------------|------|--------------|---------------------------|--------------------------|---------|----------------------|----------------|-----------------------------------|------|------|-----|-----|-----|-----------|--------------|
| (Ft.lbs) | (Nm) | | | S1 (in) | S2 (in) | | | Replaceable Shear Drive Model No. | D | H | L | L1 | L2 | | |
| 227 | 309 | 3.3 : 1 | 1/2 | 3/4 | - | No | No | 2.8 | 3.3 | 8.5 | - | - | - | 4.0 | E290PLUS |
| 303 | 411 | 3.3 : 1 | 1/2 | 3/4 | - | No | No | 2.8 | 3.3 | 17.4 | - | - | - | 5.5 | E291 |
| 200 | 271 | 6 : 1 | 1/2 | 3/4 | E391SDK | Yes | No | 3.9 | 4.0 | 19.6 | - | - | - | 9.0 | E391 |
| 162 | 220 | 13.6 : 1 | 1/2 | 1 | E392SDK | Yes | Yes | 4.1 | 5.7 | 19.6 | - | - | - | 15.2 | E392 |
| 173 | 235 | 20.25 : 1 | 1/2 | 1 | E393SDK | Yes | Yes | 4.1 | 6.5 | 19.6 | - | - | - | 18.3 | E393 |
| 162 | 219 | 13.6 : 1 | 1/2 | 1 | E392SDK | Yes | Yes | 4.9 | 5.5 | 14.0 | 5.5 | 4.9 | 1.3 | 17.2 | E492 |
| 173 | 234 | 18.5 : 1 | 1/2 | 1 | E393SDK | Yes | Yes | 4.9 | 6.4 | 14.0 | 5.5 | 4.9 | 1.3 | 19.6 | E493 |
| 189 | 256 | 26.5 : 1 | 1/2 | 1 1/2 | E494SDK | Yes | Yes | 5.6 | 8.7 | 14.9 | 7.0 | 3.5 | 1.7 | 34.0 | E494 |
| 208 | 154 | 52 : 1 | 1/2 | 1 1/2 | E495SDK | Yes | Yes | 5.8 | 10.7 | 15.2 | 7.0 | 3.5 | 1.9 | 50.3 | E495 |

¹⁾ E200 and E400-series do not have an Angle-of-Turn Protractor (scale).

User must verify manual torque wrench accuracy prior to use to ensure accurate final output torque.