

Document Number	Document Revision	Document Revision Date	Product Date Code Beginning With
L4341	D	07/2019	A

To Protect Your Warranty, Use Only ENERPAC Hydraulic Oil.

Enerpac recommends that all kit components be installed to insure optimum performance of the repaired product.

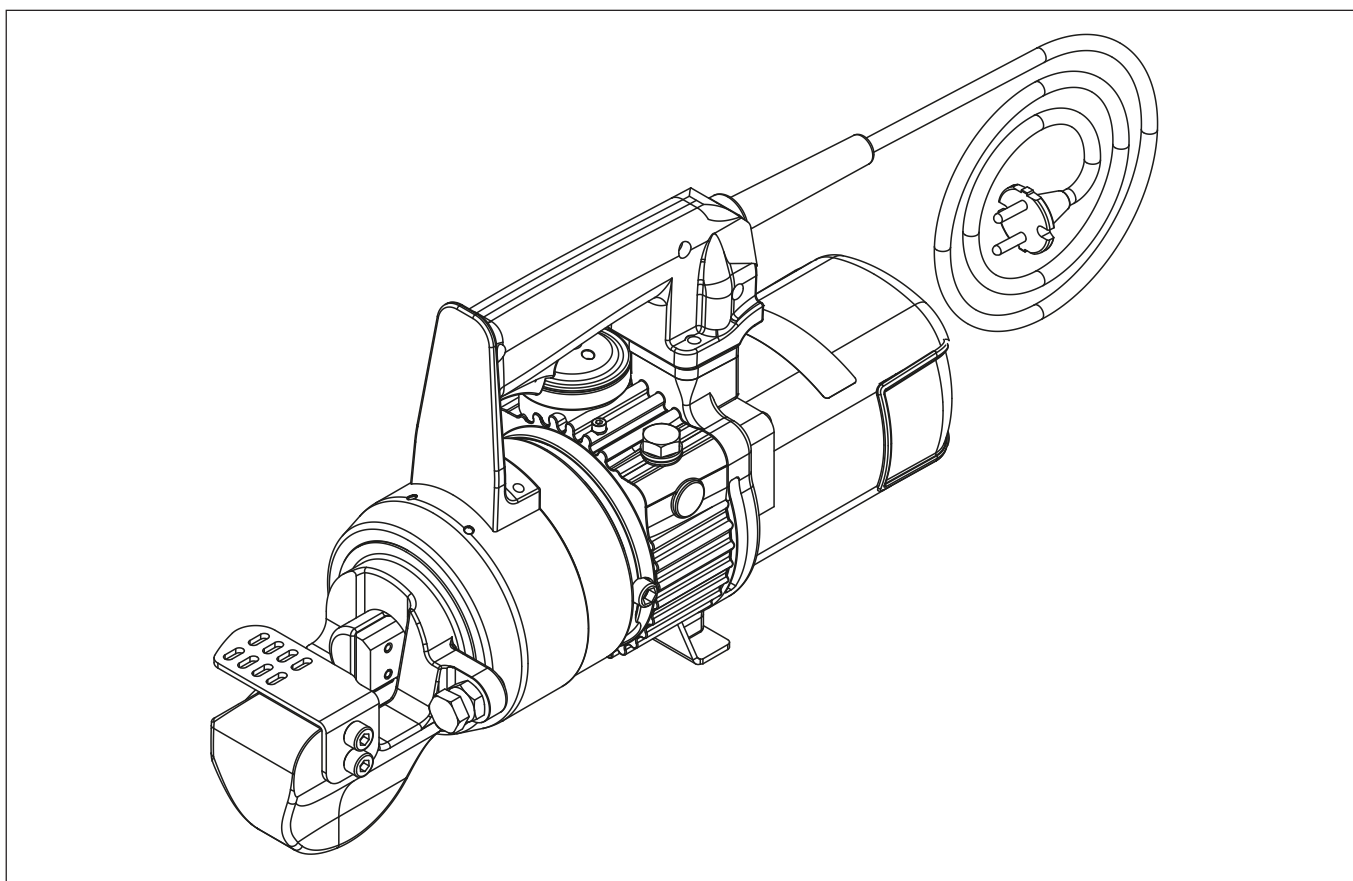


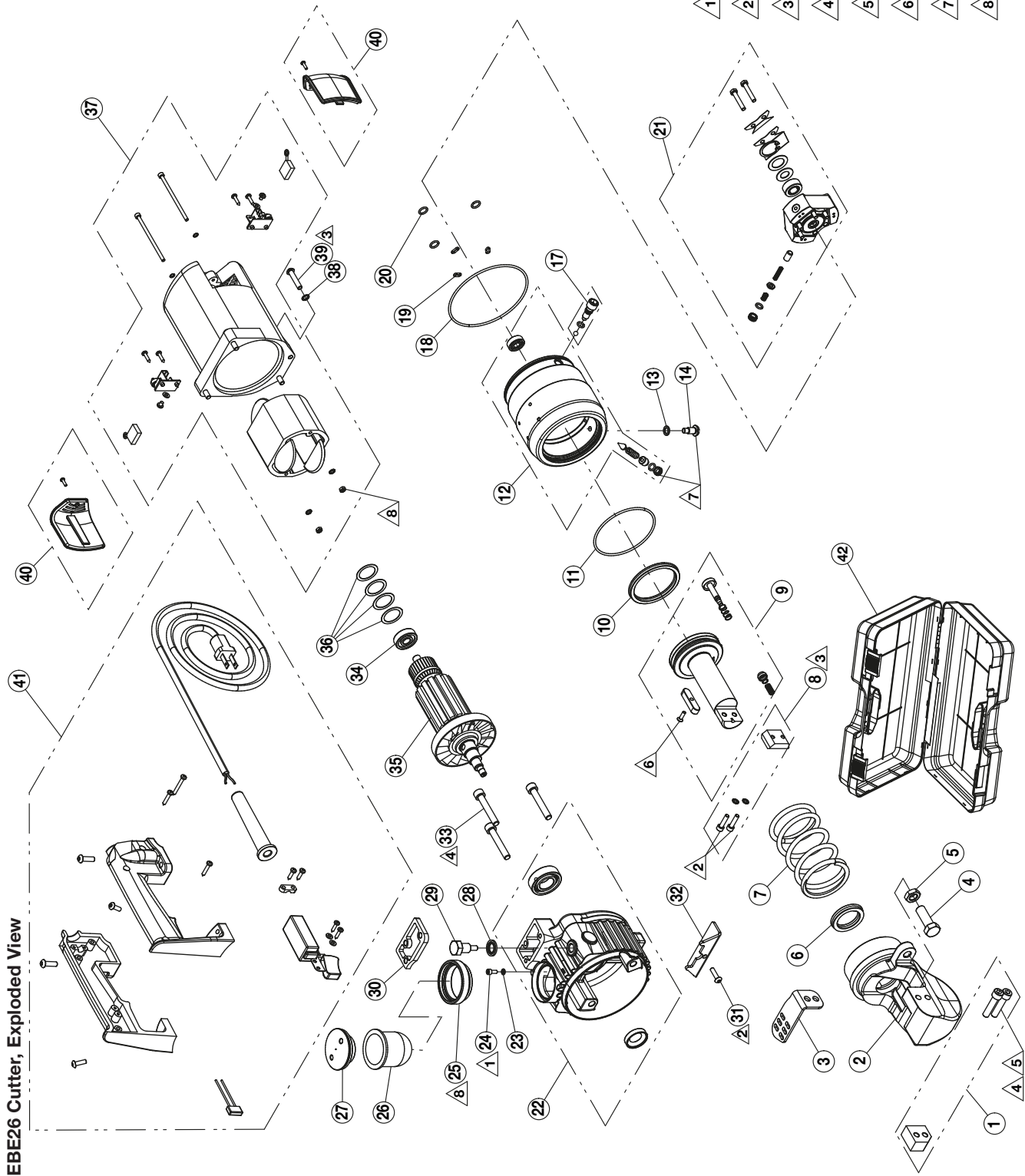
Table of Contents:

	Page		Page
Figure 1 - EBE26 Cutter, Exploded View	2	Figure 11 - EBE2218K Release Valve Kit	8
Figure 2 - EBE2601K Blade Kit	4	Figure 12 - EBE2204K and EBE2219K Handle Kit	8
Figure 3 - EBE2602K Seal Kit	4	Figure 13 - EBE2223K and EBE2203K Switch Kit	9
Figure 4 - EBE2603K Guard Kit	5	Figure 14 - EBE2214K Bearing Kit	9
Figure 5 - EBE2604K Piston Kit	5	Figure 15 - EBE2211K and EBE2220K Rotor Kit	10
Figure 6 - EBE2605K Cylinder Body Kit	5	Figure 16 - EBE2212K and EBE2221K Motor Kit	10
Figure 7 - EBE2606K Head Kit	6	Figure 17 - EBE2215K and EBE2222K Brush Kit	11
Figure 8 - EBE2607K Cylinder Spring Kit	6	Figure 18 - EBE2611K Lifting Hook Kit	11
Figure 9 - EBE2608K Tank Kit	6	Figure 19 - EBE2609K Small Parts Kit	12
Figure 10 - EBE2210K Pump Kit	7	Figure 20 - DKSCOMP Decal Kit	13

⚠ WARNING Be certain that cutter is disconnected from AC power supply before beginning any adjustment, maintenance or repair procedures. Appropriate shop safety procedures are to be followed during disassembly and reassembly to minimize any possibility of injury.

Note: Parts kits, components and product features described in this document are subject to change without notice.

Figure 1 - EBE26 Cutter, Exploded View

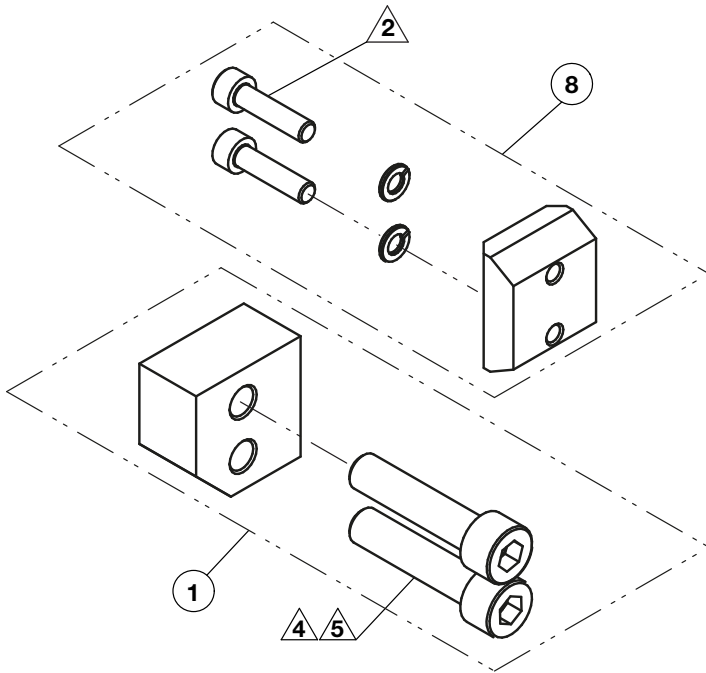


Notes:

- 1 Torque to 3 Nm [26 in-lbs].
- 2 Torque to 5.98 Nm [52.9 in-lbs].
- 3 Torque to 10 Nm [91 in-lbs].
- 4 Torque to 25 Nm [18 ft-lbs].
- 5 Apply Loctite 243.
- 6 Apply Loctite 270.
- 7 Apply Loctite 542.
- 8 Apply Loctite 638.

Repair Parts List for Figure 1		
Item No.	Qty.	Description
1	1	Fixed Blade Assembly
2	1	Head
3	1	Guard
4	1	HXBT Screw M12 x 35 UNI 5739 Zn
5	1	Nut M12 5589 Zn
6	1	Gasket 4432
7	1	Spring F.6 x e67 x 5.5 x Lo107
8	1	Moving Blade Assembly
9	1	Piston Assembly
10	1	Gasket 8575
11	1	O-Ring 94.92 x 2.62
12	1	Cylinder Base Assembly
13	1	Flat Washer 8 x 12 x 1.4 Copper
14	1	Fixing Screw
17	1	Manual Release Valve
18	1	O-Ring 107.62 x 2.62
19	3	O-Ring 6.07 x 1.78
20	3	O-Ring 9.25 x 1.78
21	1	Pump Assembly
22	1	Tank Assembly
23	1	Bonded Seal Washer 4.10 x 7.20 x 1
24	1	Socket Cap Screw M4 x 10 UNI 5931 Zn
25	1	Extension
26	1	Diaphragm
27	1	Diaphragm Housing Lid
28	1	Bonded Seal Washer 1/4"
29	1	Magnetic Filter
30	1	Spacer
31	1	Button Screw M5 x 20 10.9 UNI 7380 Zn
32	1	Stand-Off Bracket
33	3	Socket Cap Screw M8 x 50 UNI 5931 Zn
34	1	Bearing
35	1	Rotor Assembly
36	4	Compensating Ring 29.7 x 22.5 x 0.5
37	1	Motor Assembly
38	4	Shnorr Washer M6 Zn
39	4	Button Screw M6 x 30 10.9 UNI 7380 Zn
40	2	Brush Cover Assembly
41	1	Handle Assembly
42	1	Hard Case
Note: Refer to Figures 2 through 20 for repair kit parts diagrams and additional information.		

Figure 2 - EBE2601K Blade Kit



Notes:

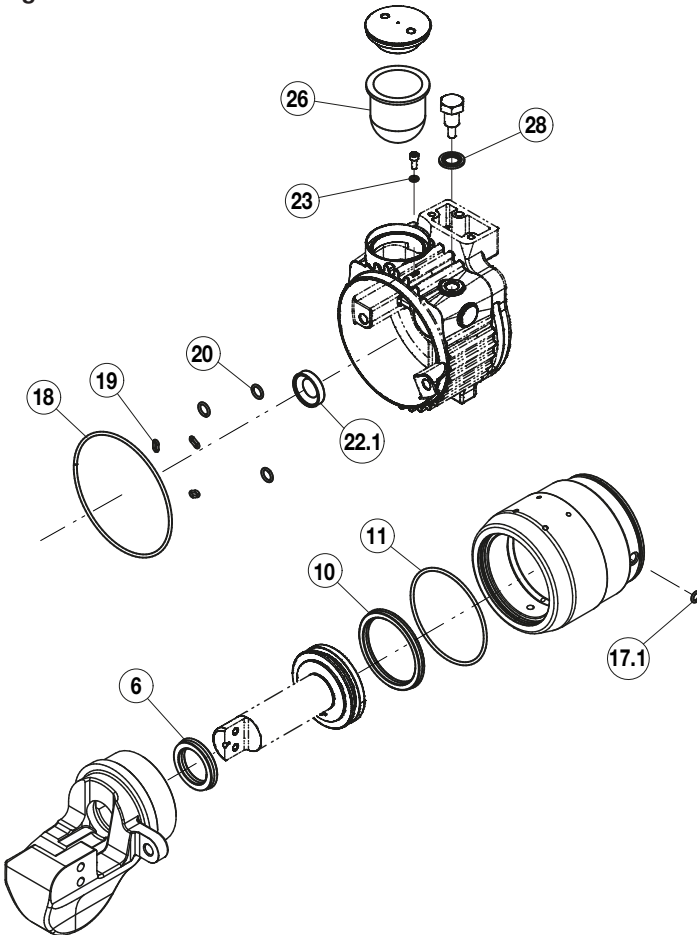
- ▲ 2 Torque to 5.98 Nm [52.9 in-lbs].
- ▲ 4 Torque to 25 Nm [18 ft-lbs].
- ▲ 5 Apply Loctite 243.

Parts List for Figure 2

Item No.	Qty.	Description
1	1	Fixed Blade Assembly
8	1	Moving Blade Assembly

Note: Kit parts available only in kits. Items not sold separately.

Figure 3 - EBE2602K Seal Kit

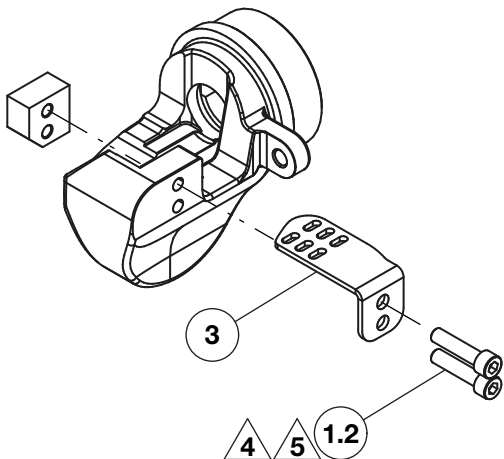


Parts List for Figure 3

Item No.	Qty.	Description
6	1	Gasket 4436
10	1	Gasket 8575
11	1	O-Ring 94.92 x 2.62
17.1	1	O-Ring 610 6.75 x 1.78
18	1	O-Ring 107.62 x 2.62
19	3	O-Ring 6.07 x 1.78
20	3	O-Ring 9.25 x 1.78
22.1	1	Oil Seal 17 x 30 x 7
23	1	Bonded Seal Washer 4.10 x 7.20 x 1
26	1	Diaphragm
28	1	Bonded Seal Washer 1/4"

Note: Kit parts available only in kits. Items not sold separately.

Figure 4 - EBE2603K Guard Kit



Notes:

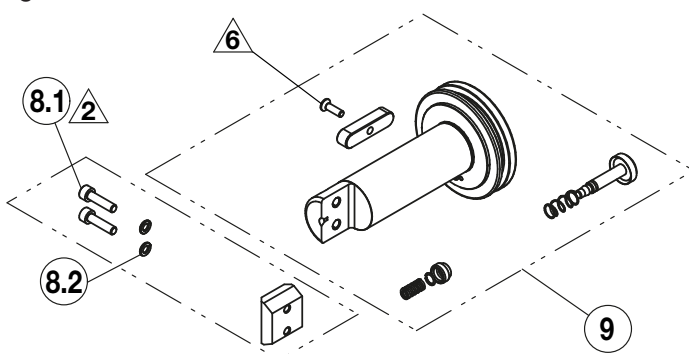
- 4 Torque to 25 Nm [18 ft-lbs].
- 5 Apply Loctite 243.

Parts List for Figure 4

Item No.	Qty.	Description
1.2	2	Socket Cap Screw M8 x 40 UNI 5931 Zn
3	1	Guard

Note: Kit parts available only in kits. Items not sold separately.

Figure 5 - EBE2604K Piston Kit



Notes:

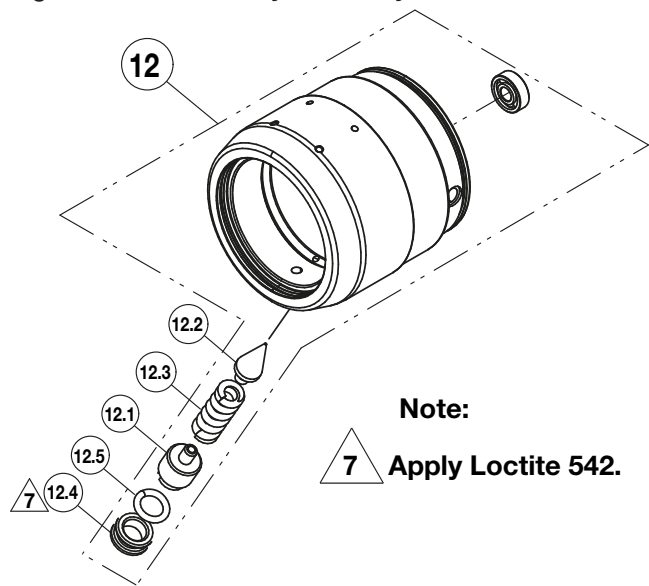
- 2 Torque to 5.98 Nm [52.9 in-lbs].
- 6 Apply Loctite 270.

Parts List for Figure 5

Item No.	Qty.	Description
8.1	2	Socket Cap Screw M5 x 20 UNI Zn
8.2	2	Grower Washer M5UNI1751 Zn
9	1	Piston Assembly

Note: Kit parts available only in kits. Items not sold separately.

Figure 6 - EBE2605K Cylinder Body Kit



Note:

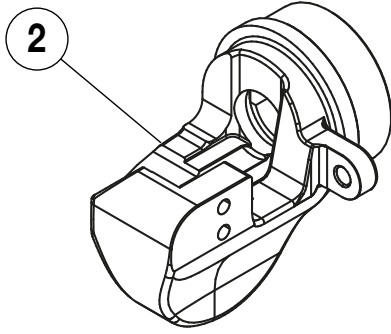
- 7 Apply Loctite 542.

Parts List for Figure 6

Item No.	Qty.	Description
12	1	Cylinder Base Assembly
12.1	1	Adjustment Screw
12.2	1	Shutter
12.3	1	Spring F.2 x e8 x 7 x Lo20.5
12.4	1	Cap Valve
12.5	1	O-Ring 6.75 x 1.78

Note: Kit parts available only in kits. Items not sold separately.

Figure 7 - EBE2606K Head Kit

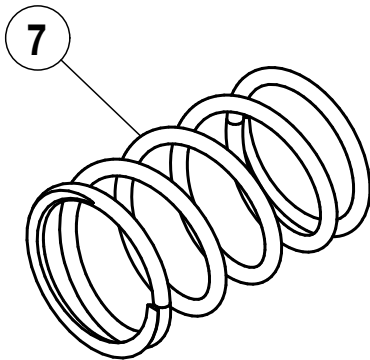


Parts List for Figure 7

Item No.	Qty.	Description
2	1	Head

Note: This kit contains only one part. (Item 2)

Figure 8 - EBE2607K Cylinder Spring Kit

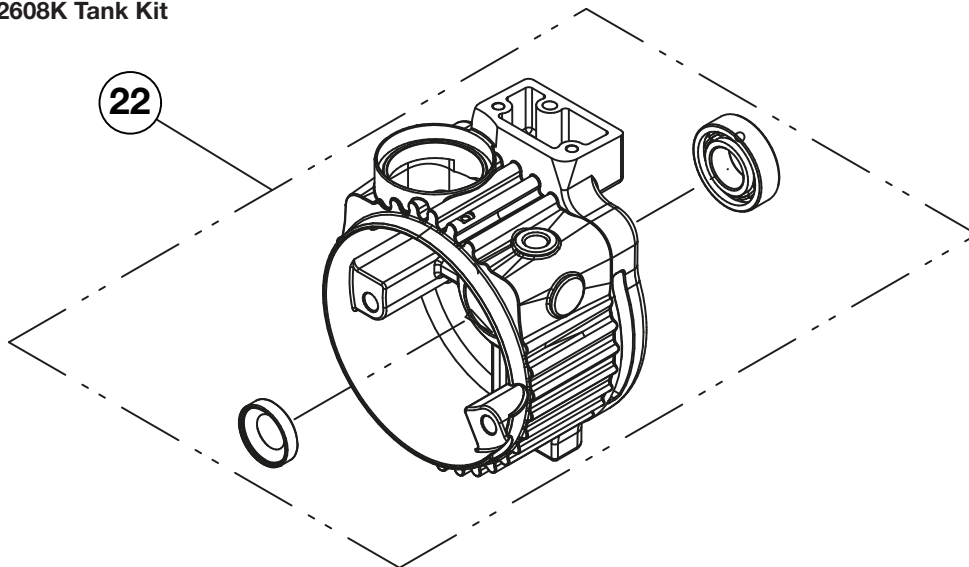


Parts List for Figure 8

Item No.	Qty.	Description
7	1	Spring F.6 x e67 x 5.5 x Lo107

Note: This kit contains only one part. (Item 7)

Figure 9 - EBE2608K Tank Kit

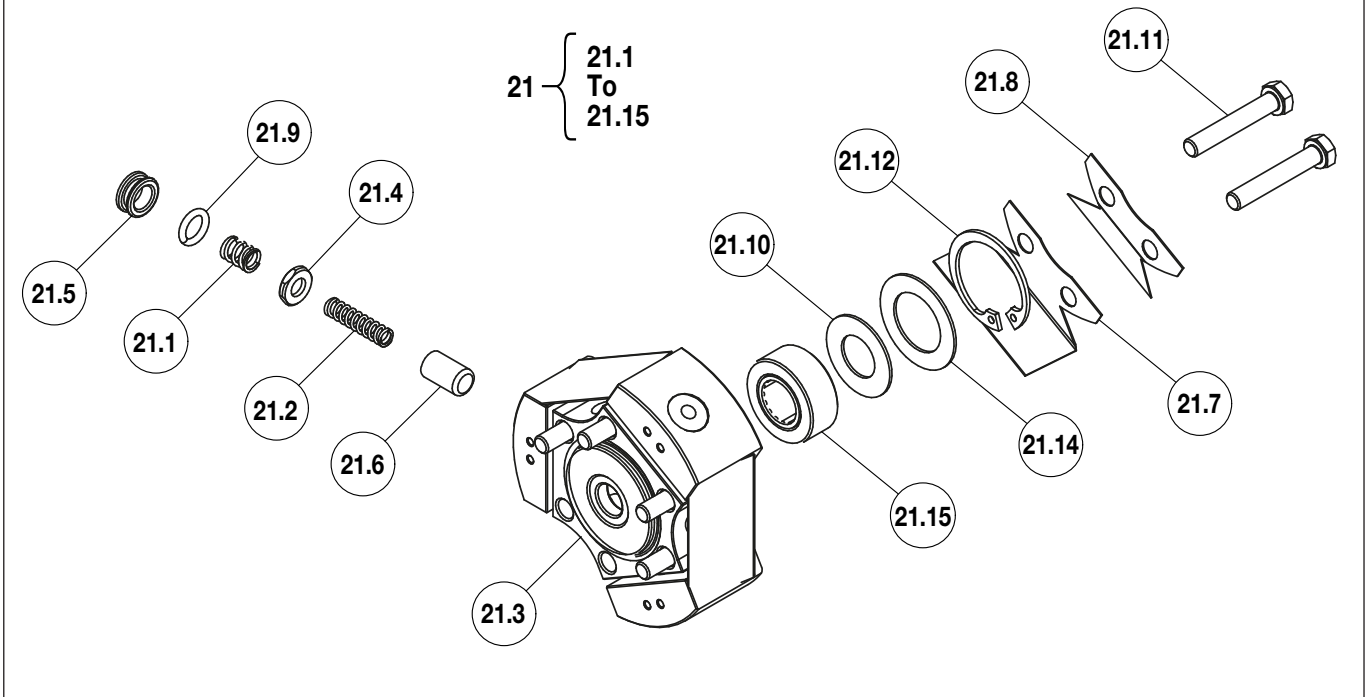


Parts List for Figure 9

Item No.	Qty.	Description
22	1	Tank Assembly

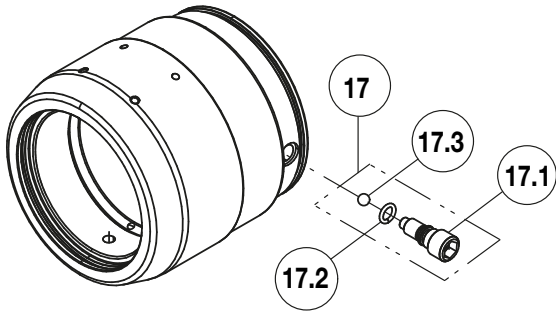
Note: Kit parts available only in kits. Items not sold separately.

Figure 10 - EBE2210K Pump Kit



Parts List for Figure 10		
Item No.	Qty.	Description
21	1	Pump Assembly (includes parts 21.1 through 21.15)
21.1	3	Spring F.0.9 x e6.5 x 4.75 x Lo8.5
21.2	3	Spring F.0.8 x e5 x 11 x Lo20
21.3	1	Pump Body
21.4	3	Pump Valve
21.5	3	Valve Oil Cap
21.6	3	Pump Piston
21.7	3	Oil Filter
21.8	3	Filter Support
21.9	3	O-Ring 6.75 x 1.78
21.10	1	Bearing R-R 12 x 24 x 9.8 INA RSTO 8
21.11	6	HXBT Screw M5 x 30 UNI 5739 Zn
21.12	1	Seeger Ring for Hole D=37 UNI 7437
21.13	1	Flat Washer 12.1 x 23 x 1
21.14	1	Flat Washer 17 x 26.8 x 1
21.15	1	Bearing R-R 12 x 24 x 9.8 INA RSTO 8
Note: Kit parts available only in kits. Items not sold separately.		

Figure 11 - EBE2218K Release Valve Kit

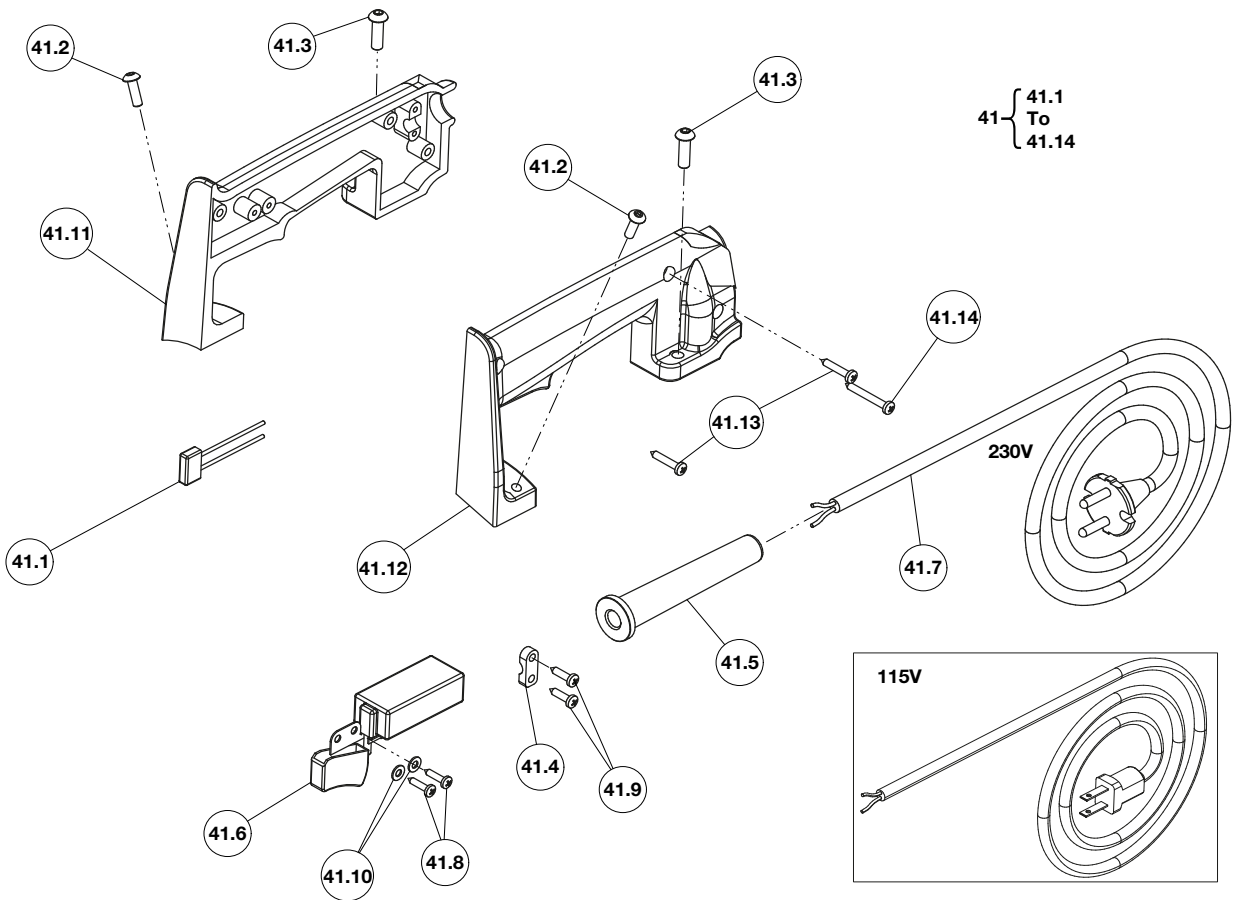


Parts List for Figure 11

Item No.	Qty.	Description
17	1	Release Valve Assembly. (Includes items 17.1 through 17.3)
17.1	1	Manual Release Valve
17.2	1	O-Ring 610 6.75 x 1.78
17.3	1	Ball 7/32 d. 5.56

Note: Kit parts available only in kits. Items not sold separately.

Figure 12 - EBE2219K & EBE2204K Handle Kit



Parts List for Figure 12

Item No.	Qty.	Description
41	1	Handle Assembly
41.1	1	Interference filter
41.2	2	Button Screw M5 x 16 10.9 UNI 7380 Zn
41.3	2	Button Screw M6 x 20 10.9 UNI 7380 Zn
41.4	1	Strain Relief Clamp
41.5	1	Grommet Sleeve
41.6	1	Switch (See Figure 14)
41.7	1	Power Supply Cable with Plug
41.8	2	Pan Head Screw 3.5 x 13 UNI 6954 Zn
41.9	2	Pan Head Screw 3.9 x 16 UNI 6954 Zn
41.10	2	Flat Washer M4 UNI 6592 Zn

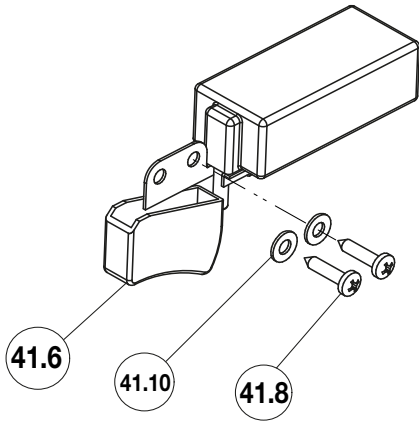
Parts List for Figure 12 (continued)

Item No.	Qty.	Description
41.11	1	Right Half-Handle
41.12	1	Left Half-Handle
41.13	2	Pan Head Screw 3.9 x 22 UNI 6954 Zn
41.14	1	Pan Head Screw 3.9 x 32 UNI 6954 Zn

Notes:

- Handle Kit EBE2219K - Includes parts for 115V cutter, Model EBE26B.
- Handle Kit EBE2204K - Includes parts for 230V cutter, Model EBE26E.
- Kit parts available only in kits. Items not sold separately.

Figure 13 - EBE2223K & EBE2203K Switch Kit



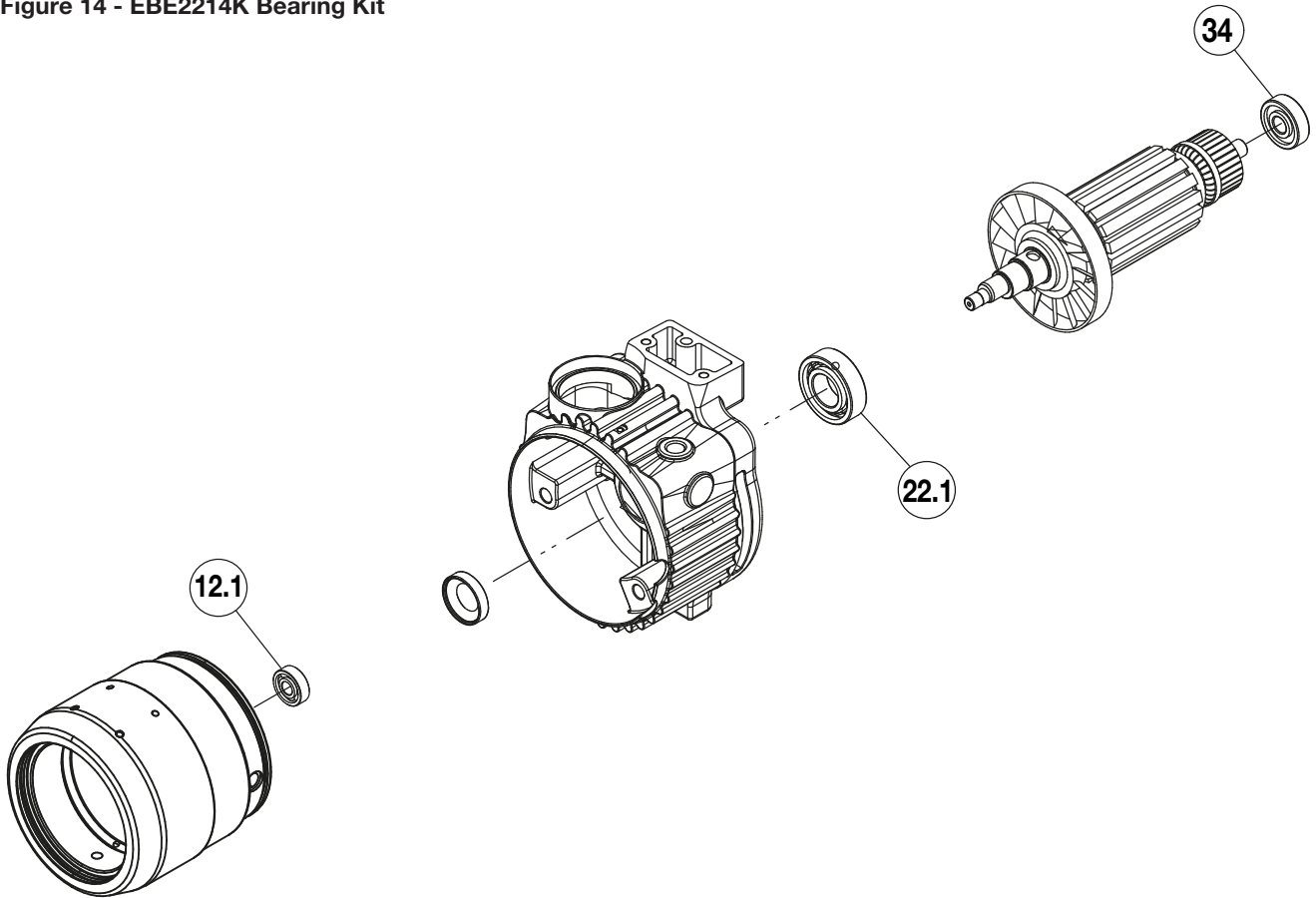
Parts List for Figure 13

Item No.	Qty.	Description
41.6	1	Switch
41.8	2	Pan Head Screw 3.5 x 13 UNI 6954 Zn
41.10	2	Flat Washer M4 UNI 6592 Zn

Notes:

- Switch Kit EBE2223K - Includes switch and hardware for 115V cutter, Model EBE26B.
- Switch Kit EBE2203K - Includes switch and hardware for 230V cutter, Model EBE26E.
- Kit parts available only in kits. Items not sold separately.

Figure 14 - EBE2214K Bearing Kit

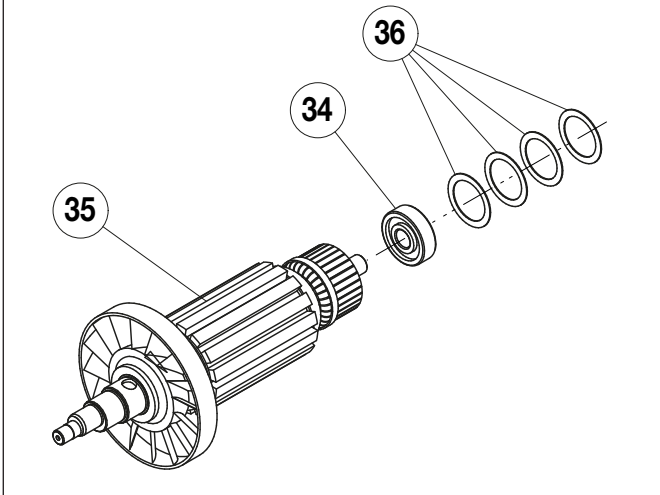


Parts List for Figure 14

Item No.	Qty.	Description
12.1	1	Ball Bearing R-S 22 x 8 x 7 608 C3
22.1	1	Ball Bearing R-S 6004 42 x 20 x12 ZZ C3
34	1	Bearing

Note: Kit parts available only in kits. Items not sold separately.

Figure 15 - EBE2211K & EBE2220K Rotor Kit



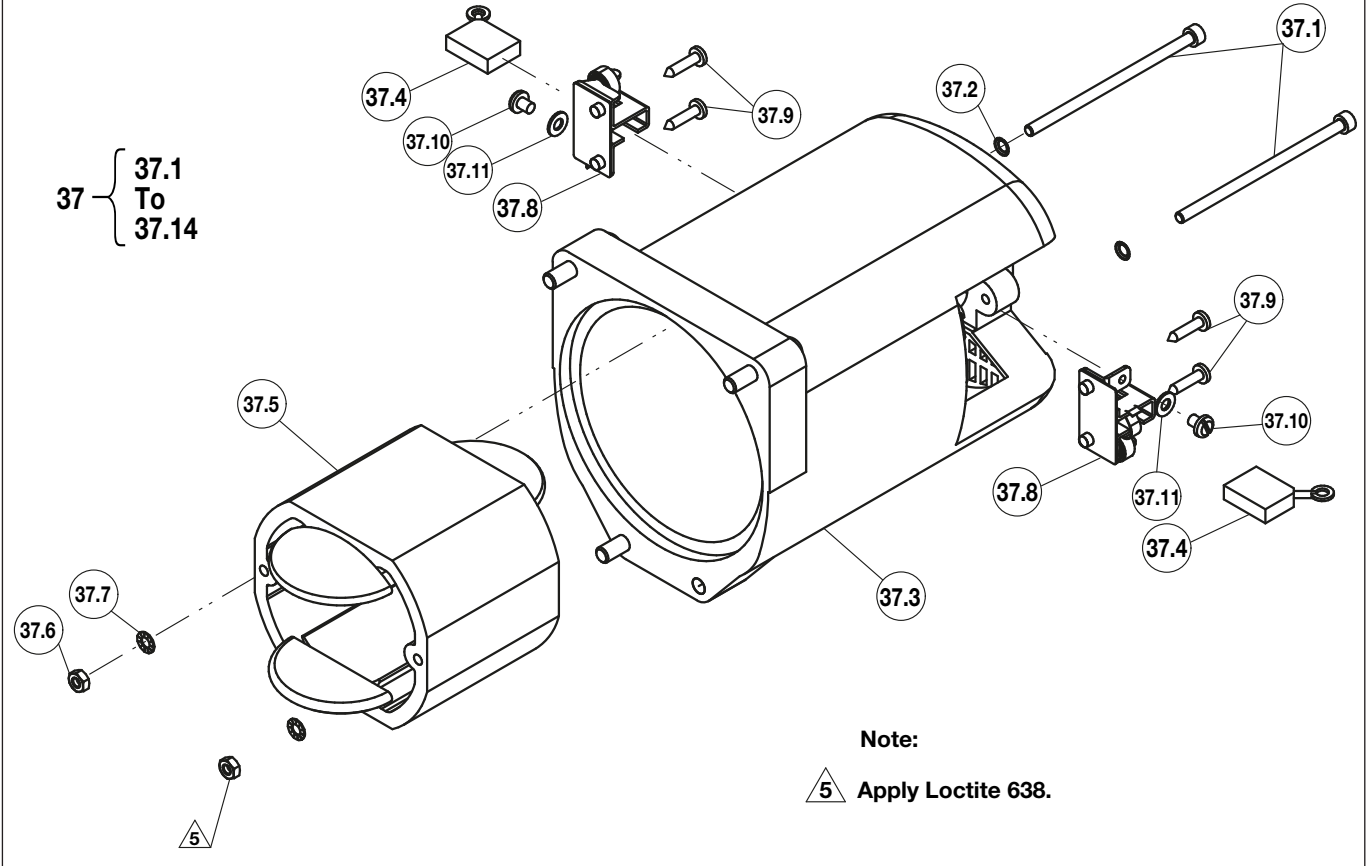
Parts List for Figure 15

Item No.	Qty.	Description
34	1	Bearing
35	1	Rotor Assembly
36	4	Compensating Ring 29.7 x 22.5 x 0.5

Notes:

- Rotor Kit EBE2220K - Includes parts for 115V cutter, Model EBE26B.
- Rotor Kit EBE2211K - Includes parts for 230V cutter, Model EBE22E.
- Kit parts available only in kits. Items not sold separately.

Figure 16 - EBE2212K & EBE2221K Motor Kit



Note:

5 Apply Loctite 638.

Parts List for Figure 16

Item No.	Qty.	Description
37	1	Motor Assembly (includes items 37.1 through 37.11)
37.1	2	Socket Cap Screw M4 x 80 UNI5931 Zn
37.2	2	Schnorr Washer M4 Zn
37.3	1	Motor Housing
37.4	2	Carbon Brush
37.5	1	Stator
37.6	2	Nut M4 UNI 5588 Zn
37.7	2	External Tooth Lock Washer D4
37.8	2	Brush Support Assembly MU22N
37.9	4	Pan Head Screw 3.5 x 16 UNI 6954 Zn

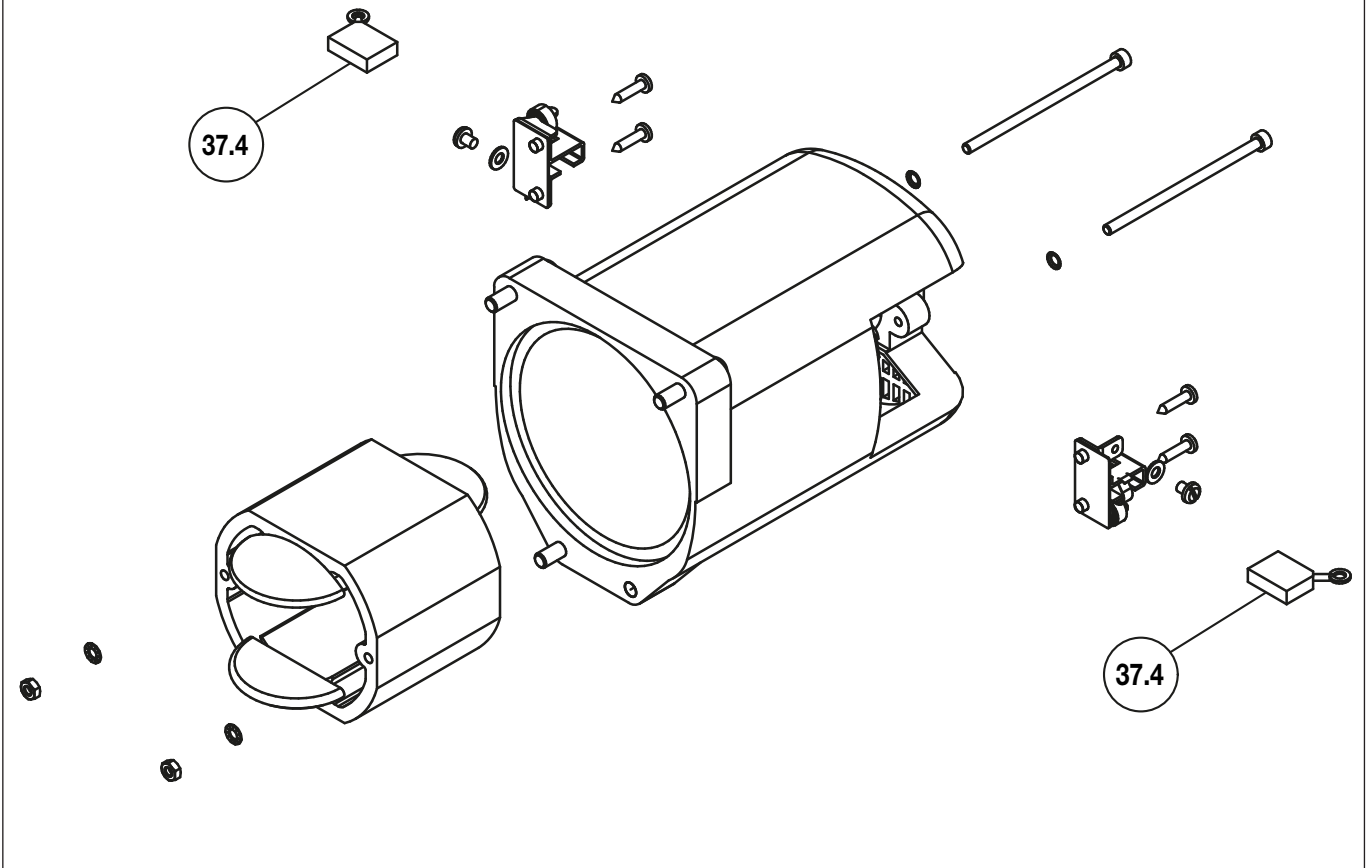
Parts List for Figure 16 (Continued)

Item No.	Qty.	Description
37.10	2	Screw TCTC M4 x 5 UNI 6107 Brass
37.11	2	Flat Washer M4 UNI 6592 Brass

Notes:

- Motor Kit EBE2221K - Includes parts used on 115V cutter, Model EBE26B.
- Motor Kit EBE2212K - Includes parts used on 230V cutter, Model EBE26E.
- Carbon Brush (item 37.4) and stator (item 37.5) are different for 115V and 230V models. Be sure to order the correct kit for your cutter model.
- Kit parts available only in kits. Items not sold separately.

Figure 17 - EBE2222K and EBE2215K Brush Kit

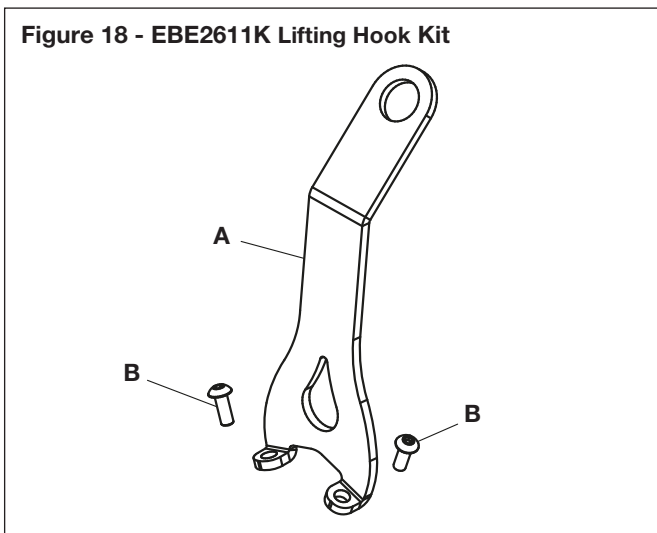


Parts List for Figure 17		
Item No.	Qty.	Description
37.4	2	Carbon Brush

Notes:

- Brush Kit EBE2222K - Includes brushes used on 115V cutter, Model EBE26B.
- Brush Kit EBE2215K - Includes brushes used on 230V cutter, Model EBE26E.
- Carbon brushes are different for 115V and 230V models. Be sure to order the correct kit for your cutter model.

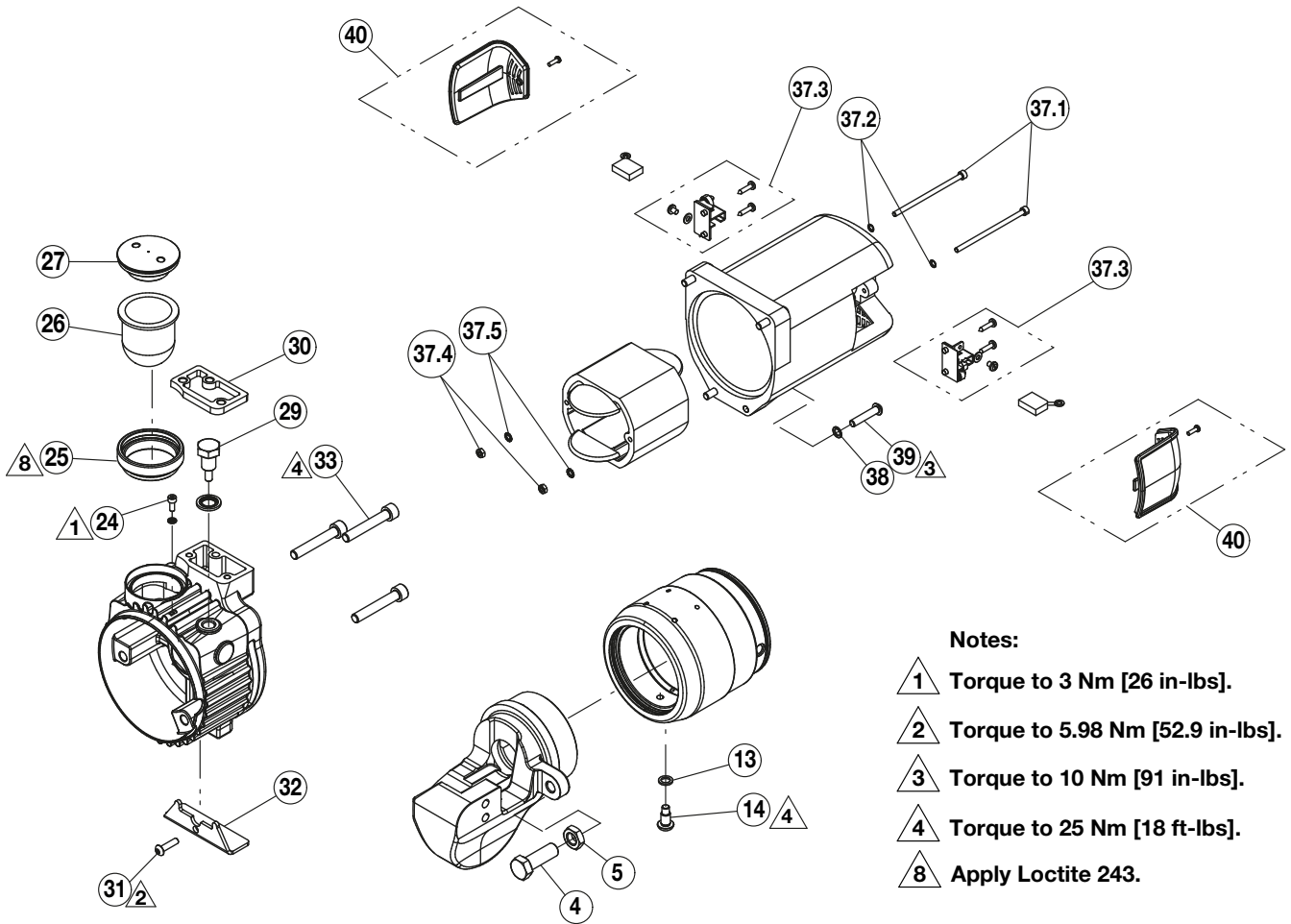
Figure 18 - EBE2611K Lifting Hook Kit



Parts List for Figure 18		
Item No.	Qty.	Description
A	1	Lifting Hook
B	2	Button Screw M5 x 14 10.9 UNI 7380 Zn

Note: Optional Accessory. Parts not shown in Figure 1.

Figure 19 - EBE2609K Small Parts Kit



Notes:

- ▲1 Torque to 3 Nm [26 in-lbs].
- ▲2 Torque to 5.98 Nm [52.9 in-lbs].
- ▲3 Torque to 10 Nm [91 in-lbs].
- ▲4 Torque to 25 Nm [18 ft-lbs].
- ▲8 Apply Loctite 243.

Parts List for Figure 19		
Item No.	Qty.	Description
4	1	HXBT Screw M12 x 35 UNI 5739 Zn
5	1	Nut M12 5589 Zn
13	1	Flat Washer 8 x 12 x 1.4 Copper
14	1	Positioning Screw
24	1	Socket Cap Screw M4 x 10 UNI 5931 Zn
25	1	Extension
27	1	Diaphragm Housing Lid
29	1	Magnetic Filter
30	1	Spacer
31	1	Button Screw M5 x 20 10.9 UNI 7380 Zn
32	1	Stand-Off Bracket
33	3	Socket Cap Screw M8 x 50 UNI 5931 Zn
37.1	2	Socket Cap Screw M4 x 80 UNI5931 Zn
37.2	2	Schnorr Washer M4 Zn
37.3	2	Brush Holder
37.4	2	Nut M4 UNI 5588 Zn
37.5	2	External Tooth Lock Washer D. 4
38	4	Shnorr Washer M6 Zn
39	4	Button Screw M6 x 30 10.9 UNI 7380 Zn
40	2	Brush Cover Assembly

Note: Kit parts available only in kits. Items not sold separately.

Figure 20 - DKSCOMP Decal Kit

Notes:

- The decal kit contains decals used on many different cutter models.
- Replace only the decals used on your cutter. Discard the remaining decals in the kit.

