

Document Number	Document Revision	Document Revision Date	Product Date Code Beginning With
L4339	D	08/2019	A

To Protect Your Warranty, Use Only ENERPAC Hydraulic Oil.
Enerpac recommends that all kit components be installed to insure optimum performance of the repaired product.

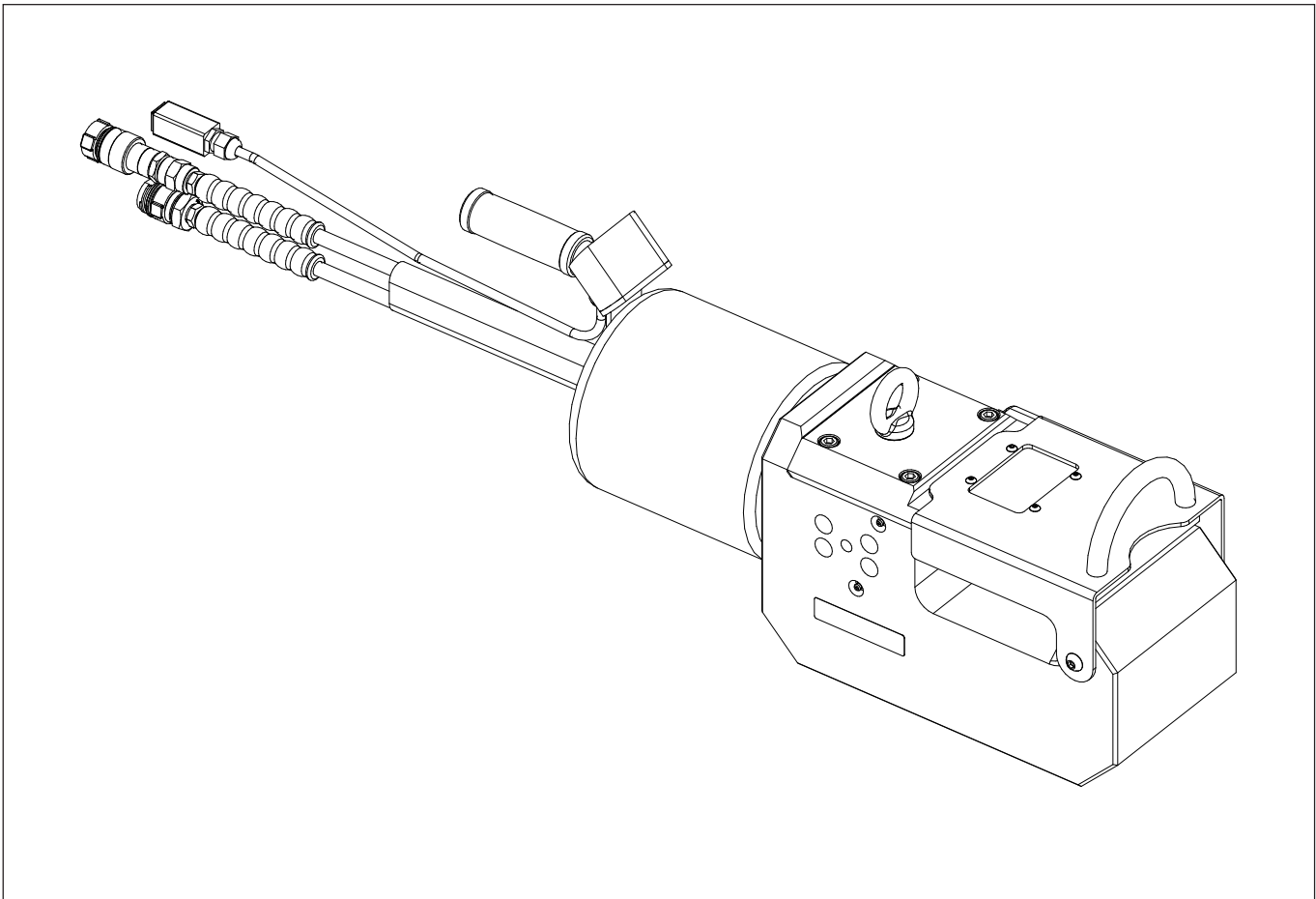


Table of Contents:

	Page		Page
Figure 1 - EBH52 Cutter, Exploded View	2	Figure 9 - EBH5209K Piston Kit	7
Figure 2 - EBH5201K Blade Kit	4	Figure 10 - EBH5210K Top Cover Kit	7
Figure 3 - EBH5202K Seal Kit	4	Figure 11 - EBH5211K Small Parts Kit	8
Figure 4 - EBH5204K Switches Kit	5	Figure 12 - EBH5212K Head and Cylinder Body Kit	8
Figure 5 - EBH5205K Handle Kit	5	Figure 13 - CKECHYD Connector Kit	9
Figure 6 - EBH5206K Grip Kit	6	Figure 14 - ECH500IK Hydraulic Hose Kit	9
Figure 7 - EBH5207K Guard Kit	6	Figure 15 - CH720EC Hose and Cable Assembly Kit	10
Figure 8 - EBH5208K Guard Window Kit	6	Figure 16 - DKSCOMP Decal Kit	11

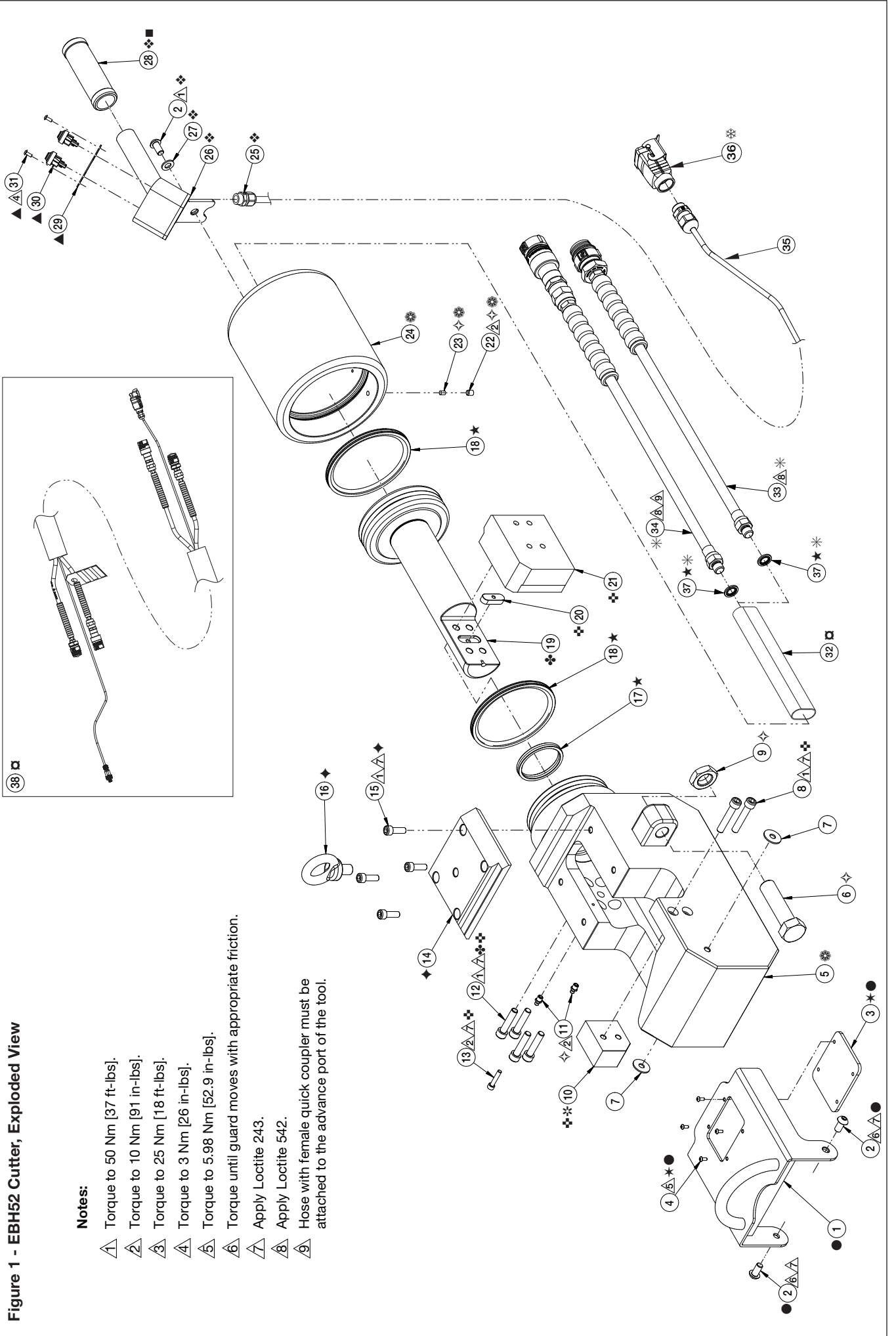
⚠ WARNING Be certain that hydraulic pressure is completely relieved (0 psi/bar) before beginning any adjustment, maintenance or repair procedures. Appropriate shop safety procedures are to be followed during disassembly and reassembly to minimize any possibility of injury.

Note: Parts kits, components and product features described in this document are subject to change without notice.

Figure 1 - EBH52 Cutter, Exploded View

Notes:

- ▲ 1 Torque to 50 Nm [37 ft.-lbs].
- ▲ 2 Torque to 10 Nm [91 in.-lbs].
- ▲ 3 Torque to 25 Nm [18 ft.-lbs].
- ▲ 4 Torque to 3 Nm [26 in.-lbs].
- ▲ 5 Torque to 5.98 Nm [52.9 in.-lbs].
- ▲ 6 Torque until guard moves with appropriate friction.
- ▲ 7 Apply Loctite 243.
- ▲ 8 Apply Loctite 542.
- ▲ 9 Hose with female quick coupler must be attached to the advance port of the tool.



Repair Parts List for Figure 1			
Item No.	Part Number	Qty.	Description
1	●	1	Guard Assembly
2	● ❖	3	Button Screw TBEI M10 x 20 10.9 UNI 7380 Zn
3	● *	1	Transparent Screen
4	● *	4	Button Screw, M5 x10 UNI 7380 Zn
5	⊗	1	Head Assembly
6	◇	1	HXBT Screw M24 x 90 UNI 5739 Zn
7	N/A	2	Washer 10x30x2 Zn
8	❖	2	Socket Cap Screw M10 x 55 UNI 5931 Zn
9	◇	1	Nut M24 5589 Zn
10	❖	1	Fixed Blade
11	◇	2	Grease Nipple, M8x1
12	❖ ❖	4	Socket Cap Screw, M10 x 45 UNI 5931 Zn
13	❖	1	Socket Cap Screw, M6 x 30 UNI 5931 Zn
14	◆	1	Jumper
15	◆	4	Socket Cap Screw, M10 x 30 UNI 5931 Zn
16	◆	1	Eyebolt, M16
17	★	1	Gasket, RU6 65 x 75 x 8
18	★	2	Gasket, NPU 140 x 119 x 8.1
19	♣	1	Piston
20	❖	1	Key, 14 x 9 x 40 - M6 hole
21	❖	1	Moving Blade
22	◇ ❖	1	Set Screw, M8 x 10 UNI 5923
23	◇ ❖	1	Plastic Pin
24	⊗	1	Cylinder Assembly
25	❖	1	Cable Gland
26	❖	1	Handle Assembly
27	❖	1	Flat Washer, M10 UNI 6592 Zn
28	❖ ■	1	Grip
29	▲	1	Button Panel

Repair Parts List for Figure 1 (Continued)			
Item No.	Part Number	Qty.	Description
30	▲	2	Push Button Switch
31	▲	2	Button Screw, M4 x 10 UNI 7380 Zn
32	⊘	1	Chafe Wrap
33	*	1	High Press. Hose (700 Series) G 1/4 F + DC1392900
34	*	1	High Press. Hose (700 Series) G 1/4 F + CJ649096
35	N/A	1	Cable
36	*	1	Connector
37	★ *	2	Bonded Seal Washer (Included with items 33 and 34)
38	⊘	1	Hose and Cable Assembly, 6m long

Kit Information		
Symbol	Included In	See Figure
❖	EBH523001K Blade Kit	2
★	EBH5202K Seal Kit	3
▲	EBH5204K Switches Kit	4
❖	EBH5205K Handle Kit	5
■	EBH5206K Grip Kit	6
●	EBH5207K Guard Kit	7
*	EBH5208K Guard Window Kit.	8
♣	EBH5209K Piston Kit	9
◆	EBH5210K Top Cover Kit	10
◇	EBH5211K Small Parts Kit	11
⊗	EBH5212K Head and Cylinder Body Kit	12
*	CKECHYD Connector Kit	13
*	ECH5001K Hydraulic Hose Kit	14
⊘	CH720EC Hose and Cable Assembly Kit	15
N/A	DKSCOMP Decal Kit	16

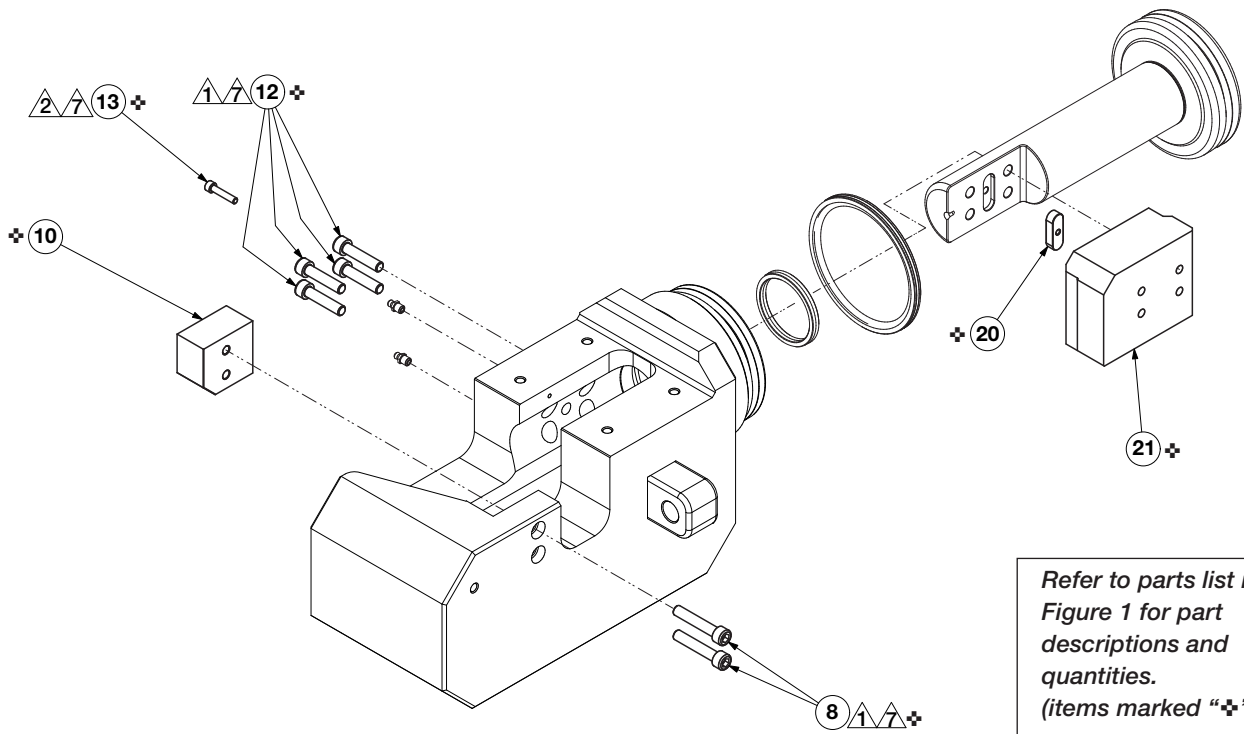
Refer to figures 2 through 17 for kit part exploded views and additional service information.

N/A - Not Available

Figure 2 - EBH5201K Blade Kit

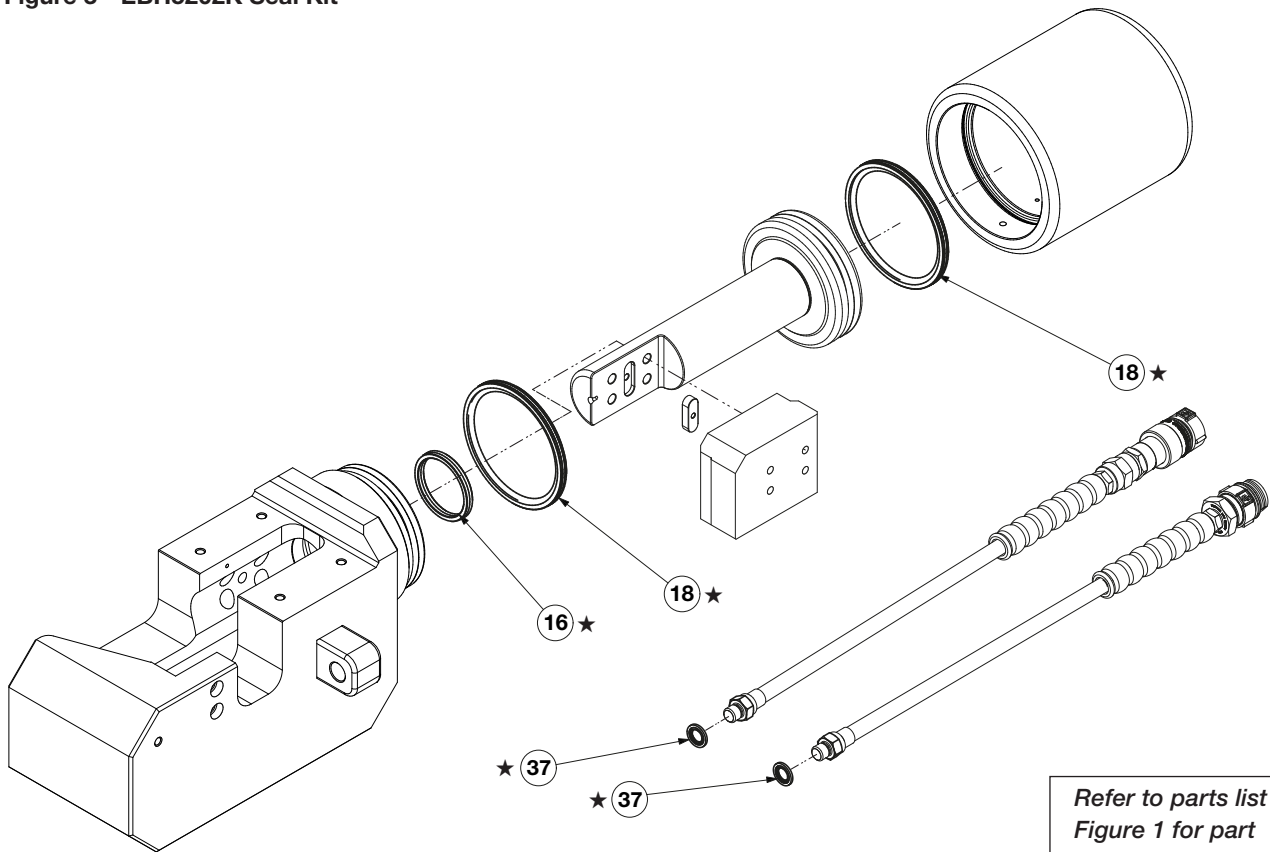
Notes:

- ⚠ Torque to 50 Nm [37 ft-lbs].
- ⚠ Torque to 10 Nm [91 in-lbs].
- ⚠ Apply Loctite 243.



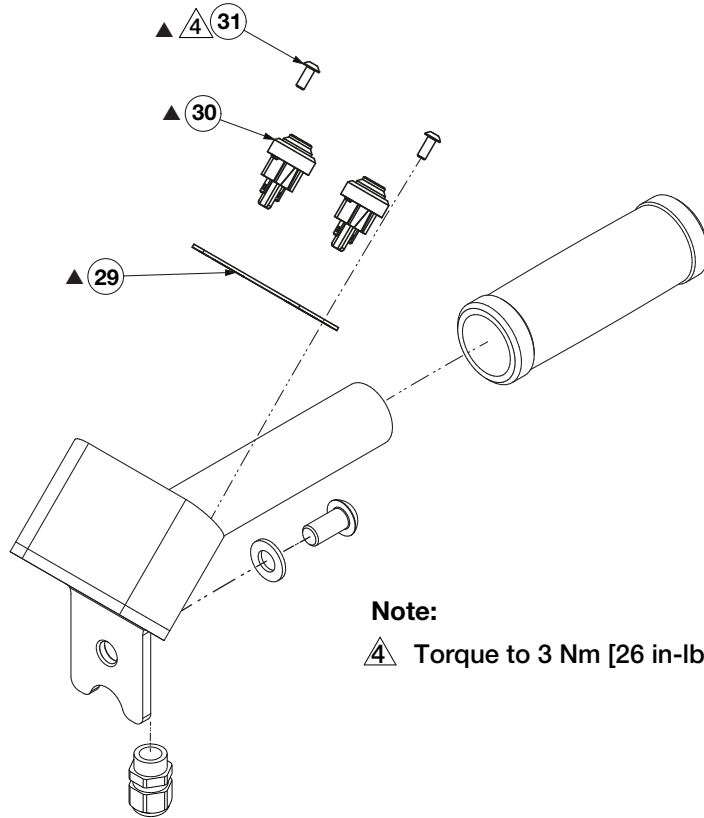
Refer to parts list in Figure 1 for part descriptions and quantities. (items marked "✦")

Figure 3 - EBH5202K Seal Kit



Refer to parts list in Figure 1 for part descriptions and quantities. (items marked "★")

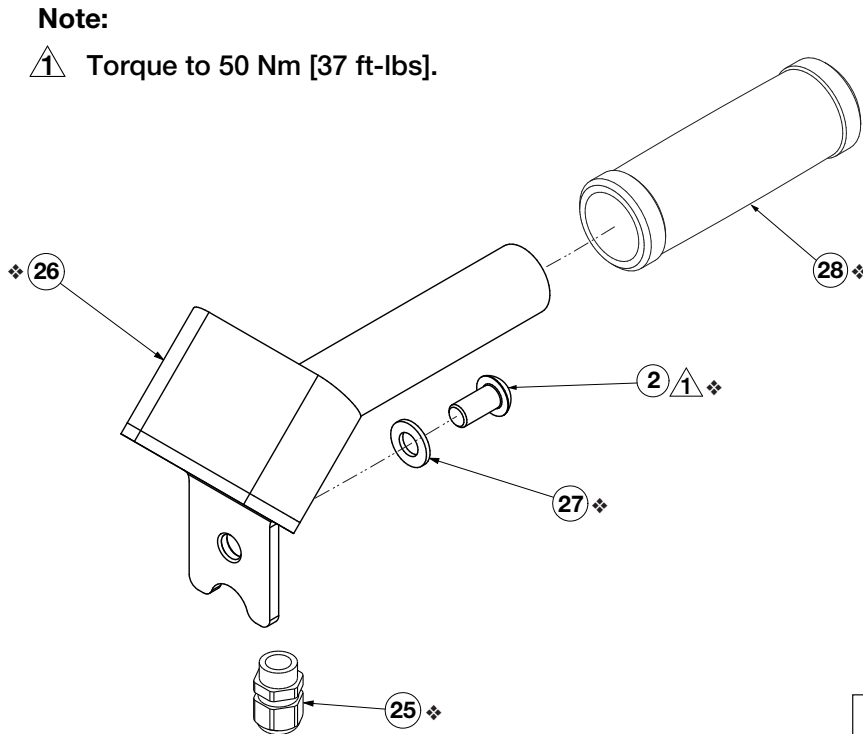
Figure 4 - EBH5204K Switches Kit



Note:
▲ Torque to 3 Nm [26 in-lbs].

Refer to parts list in Figure 1 for part descriptions and quantities. (items marked "▲")

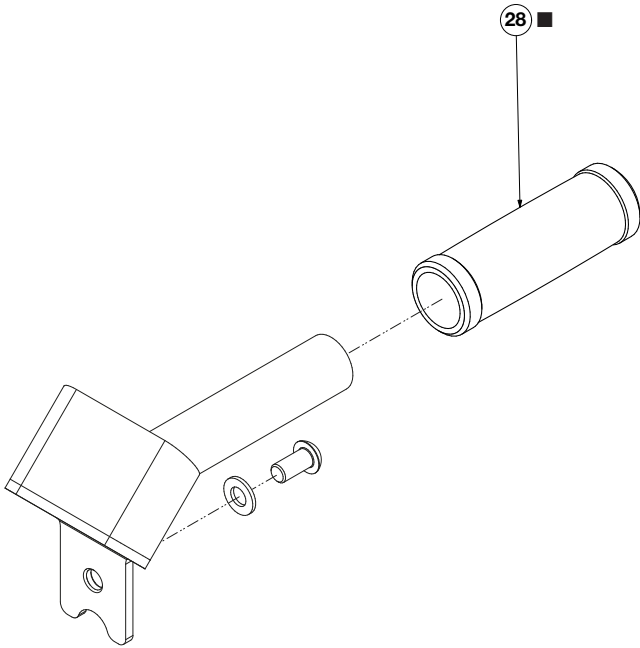
Figure 5 - EBH5205K Handle Kit



Note:
▲ Torque to 50 Nm [37 ft-lbs].

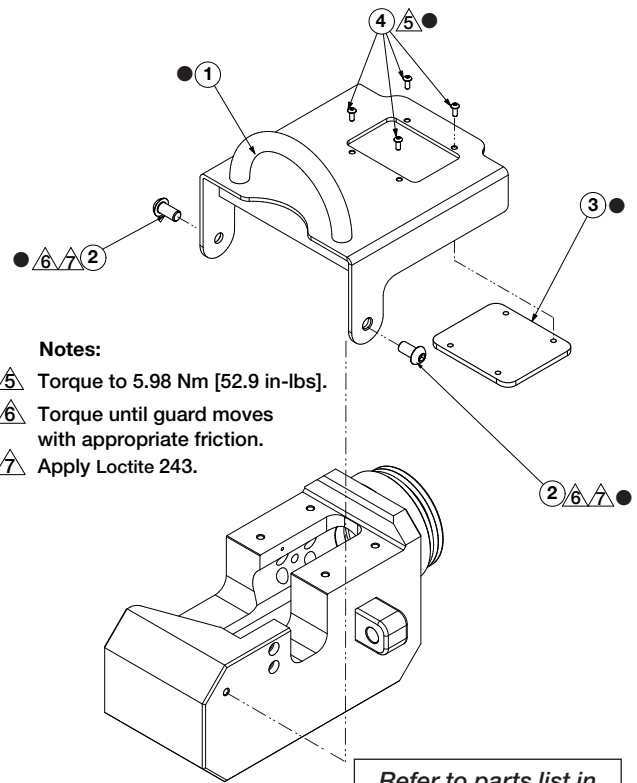
Refer to parts list in Figure 1 for part descriptions and quantities. (items marked "◆")

Figure 6 - EBH5206K Grip Kit



Refer to parts list in Figure 1 for part descriptions and quantities. (items marked "■")

Figure 7 - EBH5207K Guard Kit



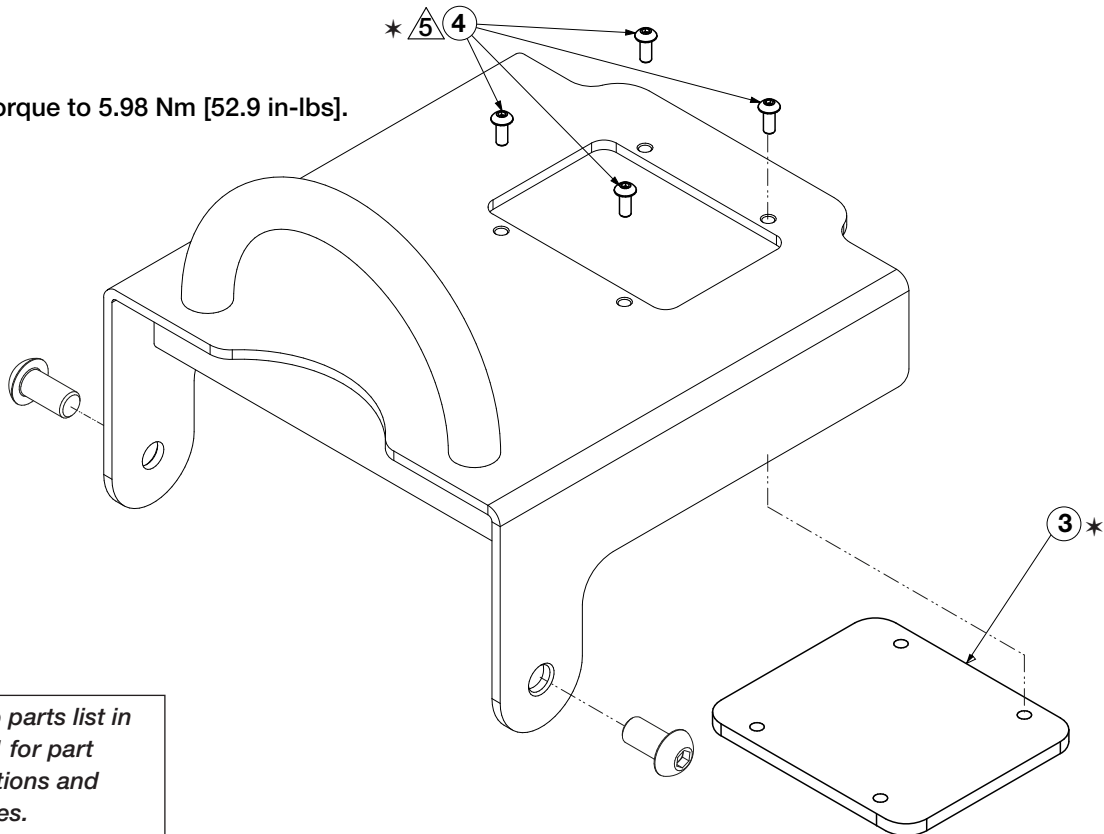
Notes:
 ⚠ Torque to 5.98 Nm [52.9 in-lbs].
 ⚠ Torque until guard moves with appropriate friction.
 ⚠ Apply Loctite 243.

Refer to parts list in Figure 1 for part descriptions and quantities. (items marked "●")

Figure 8 - EBH5208K Guard Window Kit

Note:

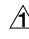

⚠ Torque to 5.98 Nm [52.9 in-lbs].

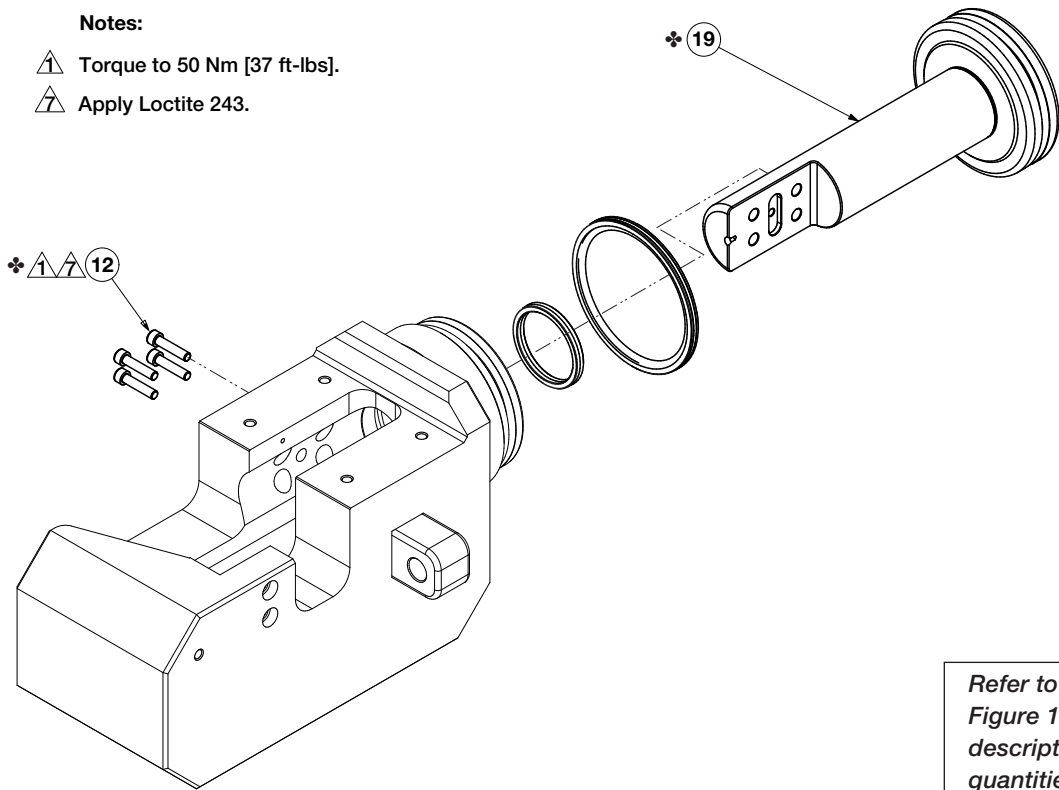


Refer to parts list in Figure 1 for part descriptions and quantities. (items marked "★")

Figure 9 - EBH5209K Piston Kit

Notes:



-  Torque to 50 Nm [37 ft-lbs].
-  Apply Loctite 243.

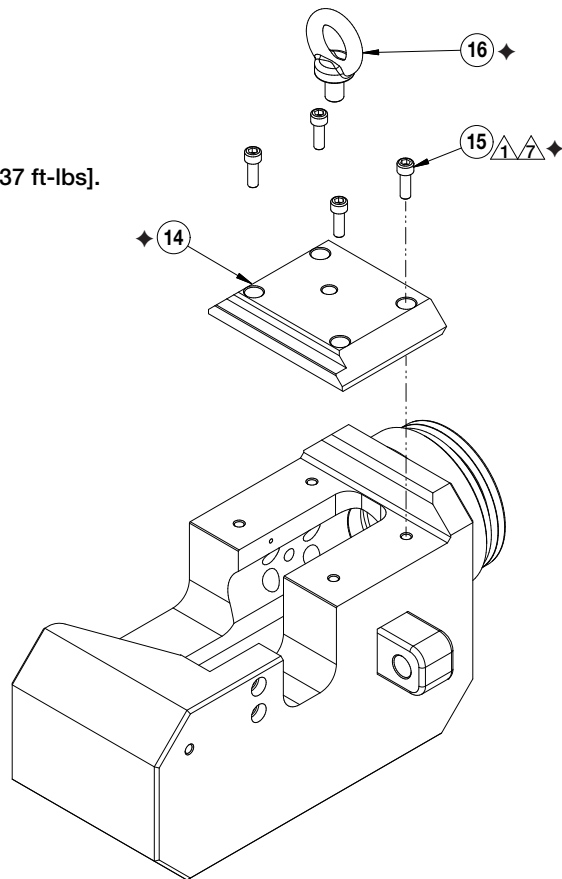


Refer to parts list in Figure 1 for part descriptions and quantities. (items marked "♣")

Figure 10 - EBH5210K Top Cover Kit

Notes:


-  Torque to 50 Nm [37 ft-lbs].
-  Apply Loctite 243.



Refer to parts list in Figure 1 for part descriptions and quantities. (items marked "◆")

Figure 11 - EBH5211K Small Parts Kit

Note:

 Torque to 10 Nm [91 in-lbs].

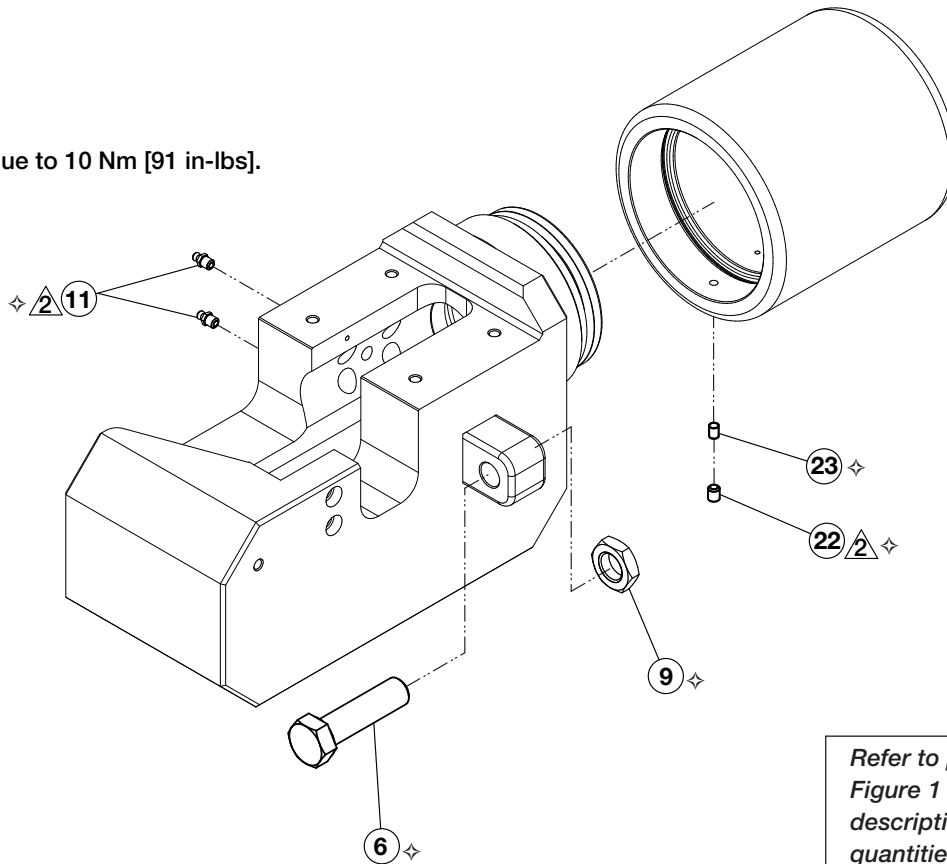



Figure 12 - EBH5212K Head and Cylinder Body Kit

Note:

 Torque to 10 Nm [91 in-lbs].

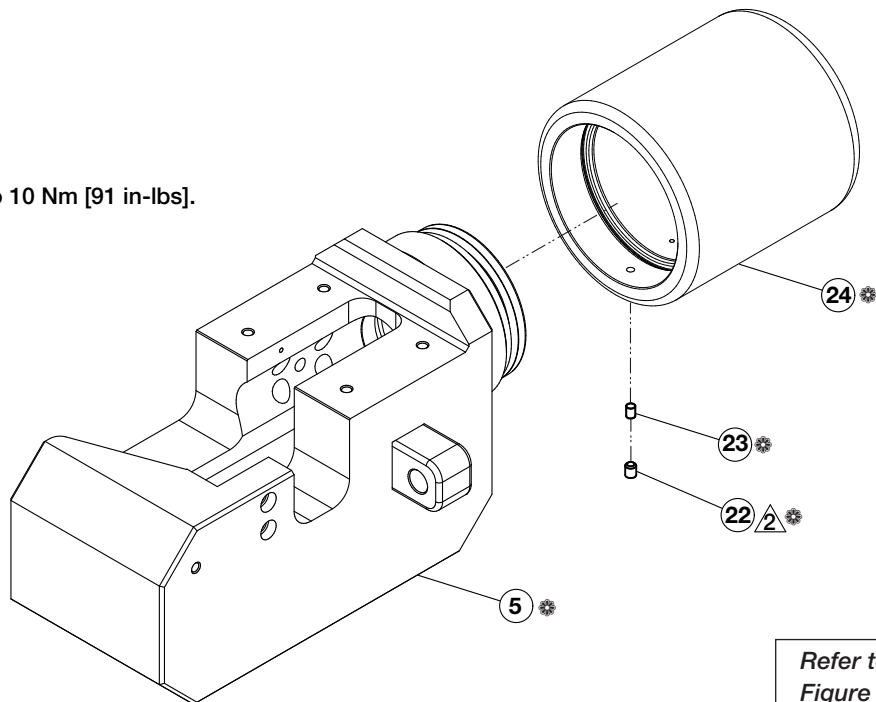
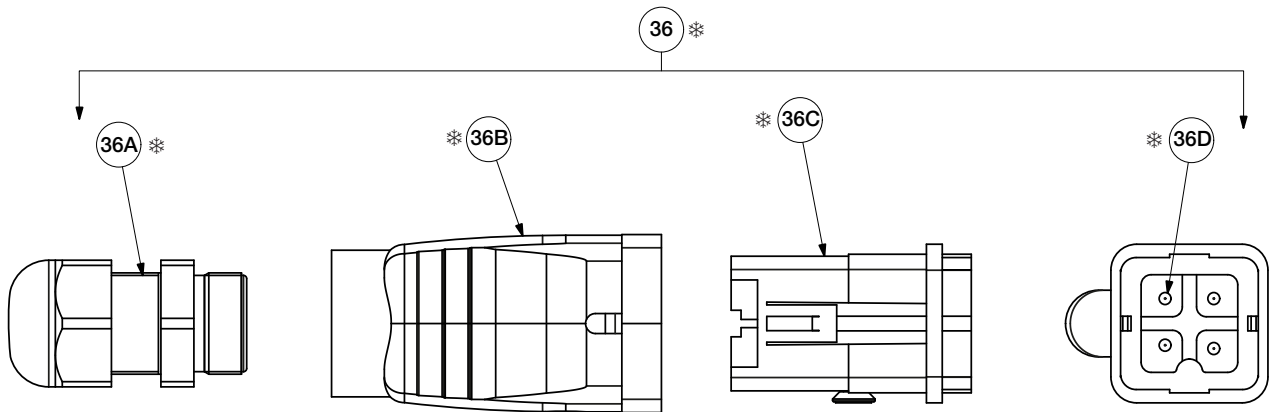


Figure 13 - CKECHYD Connector Kit



Note:

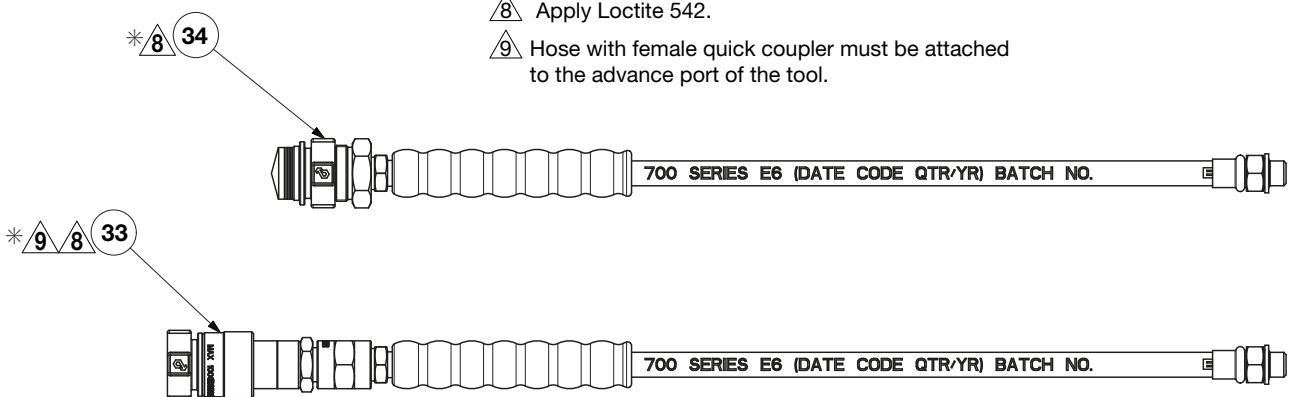
Items Included in the CKECHYD Kit (item 39):

Item No.	Description
36A	Cable Gland
36B	Housing
36C	Connector
36D	Pins

Figure 14 - ECH500IK Hydraulic Hose Kit.

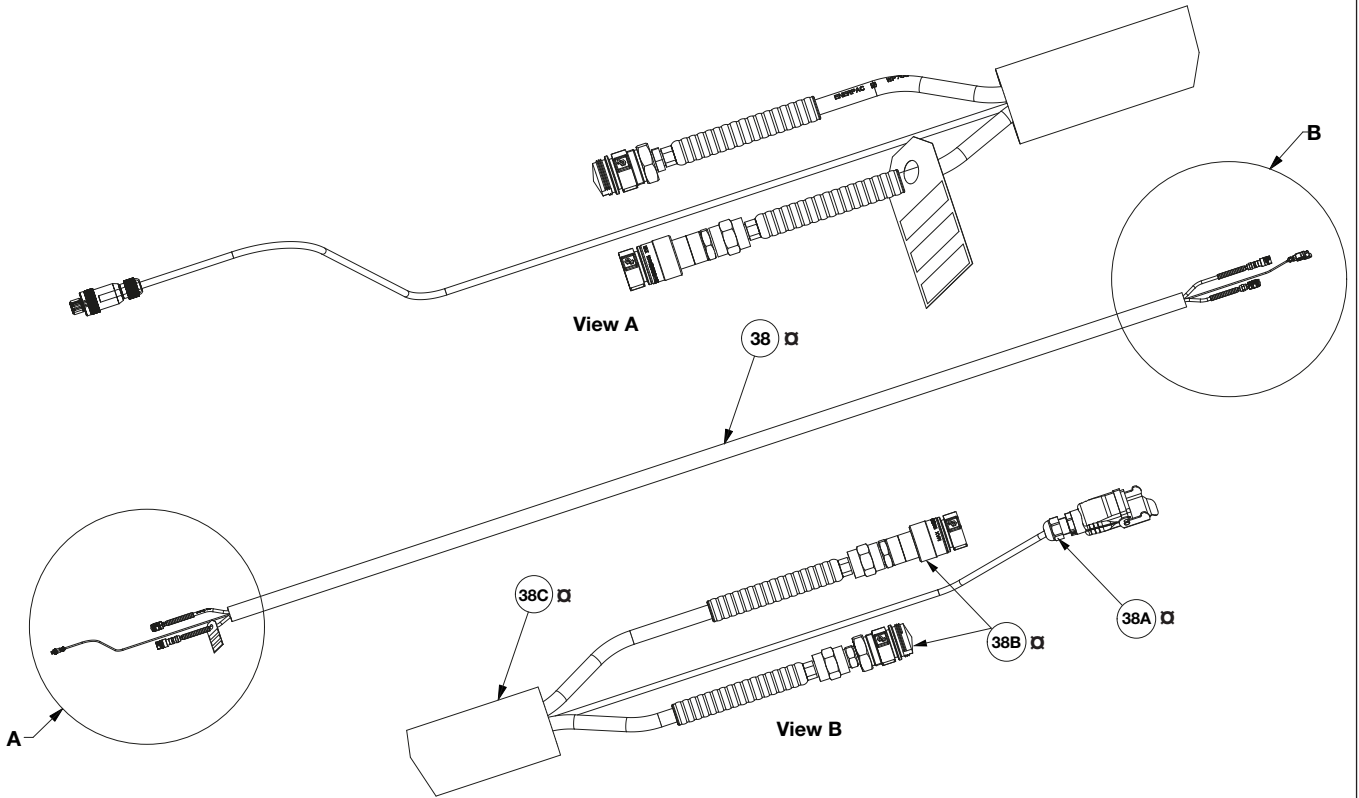
Notes:

- 8 Apply Loctite 542.
- 9 Hose with female quick coupler must be attached to the advance port of the tool.



Refer to parts list in Figure 1 for part descriptions and quantities. (items marked “”)*

Figure 15 - CH720EC Hose and Cable Assembly Kit



Note:
 Items Included in the CH720EC Kit (item 41):

Item No.	Description	Part No.
38A	Electrical Cable	EW720EC
38B	Twin Hydraulic Hose Assy.	CH720MC
38C	Chafe Wrap	S720EC

Figure 16 - DKSCOMP Decal Kit

Notes:

- The decal kit contains decals used on many different cutter models.
- Replace only the decals used on your cutter. Discard the remaining decals in the kit.

