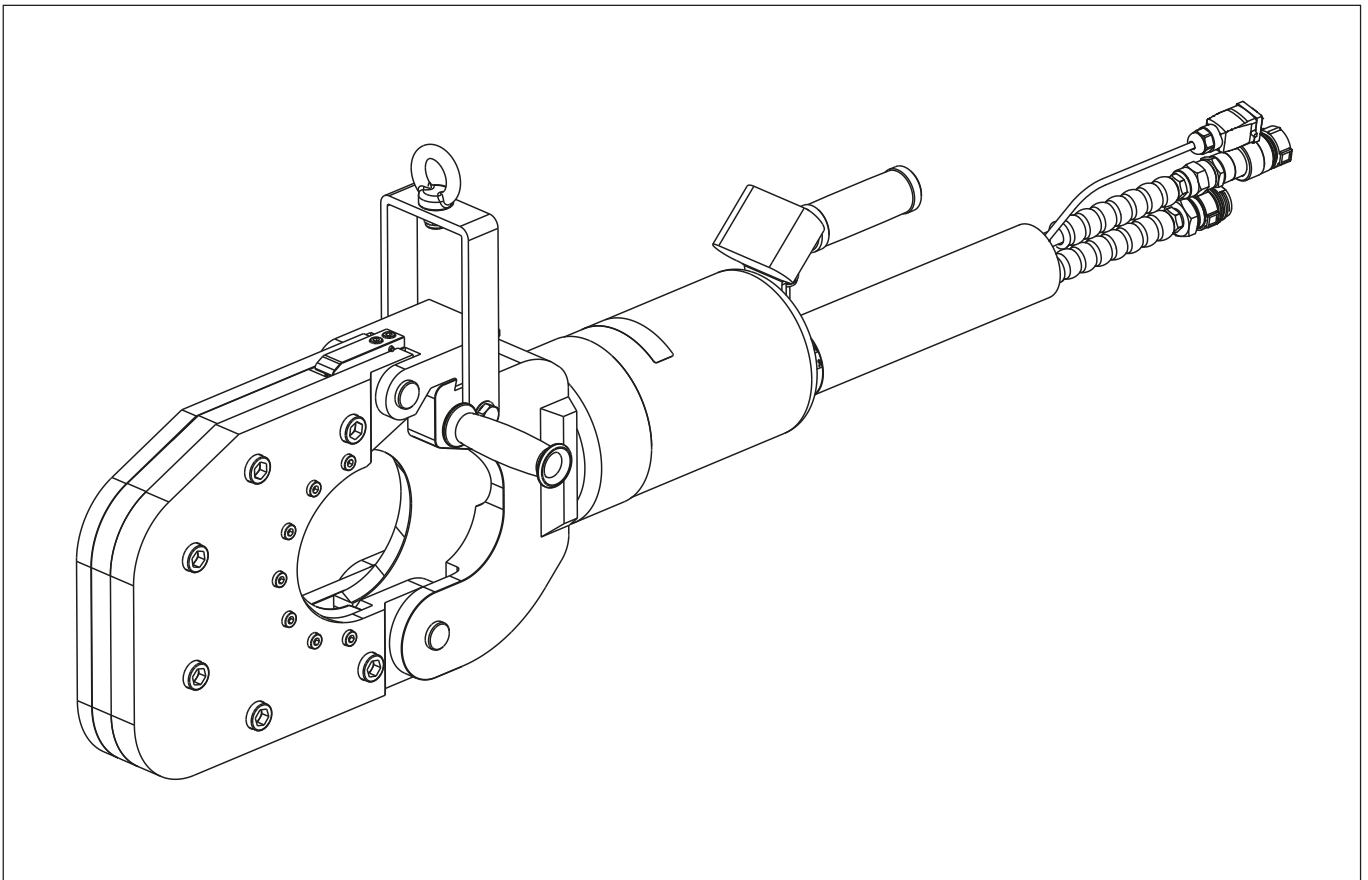


Document Number	Document Revision	Document Revision Date	Product Date Code Beginning With
L4331	E	09/2019	A

### To Protect Your Warranty, Use Only ENERPAC Hydraulic Oil.

Enerpac recommends that all kit components be installed to insure optimum performance of the repaired product.



#### Table of Contents:

	Page		Page
Figure 1 - EWCH140 Cutter, Exploded View	2	Figure 10 - EWCH14009K Pin Kit	6
Figure 2 - EWCH14001K Blade Kit	4	Figure 11 - EBH5204K Switches Kit	7
Figure 3 - EWCH14002K Seal Kit	4	Figure 12 - EBH5205K Handle Kit	7
Figure 4 - EWCH14003K Guide Kit	5	Figure 13 - EWCH9009K Side Handle Kit	8
Figure 5 - EWCH14004K Lift Kit	5	Figure 14 - EBH5206K Grip Kit	8
Figure 6 - EWCH14005K Latch Kit	5	Figure 15 - ECH500IK Hydraulic Hose Kit	8
Figure 7 - EWCH14006K Small Parts Kit	6	Figure 16 - CKECHYD Connector Kit	9
Figure 8 - EWCH14007K Head and Cylinder Body Kit	6	Figure 17 - CH720EC Hose and Cable Assembly Kit	9
Figure 9 - EWCH14008K Piston Kit	6	Figure 18 - DKSCOMP Decal Kit	10

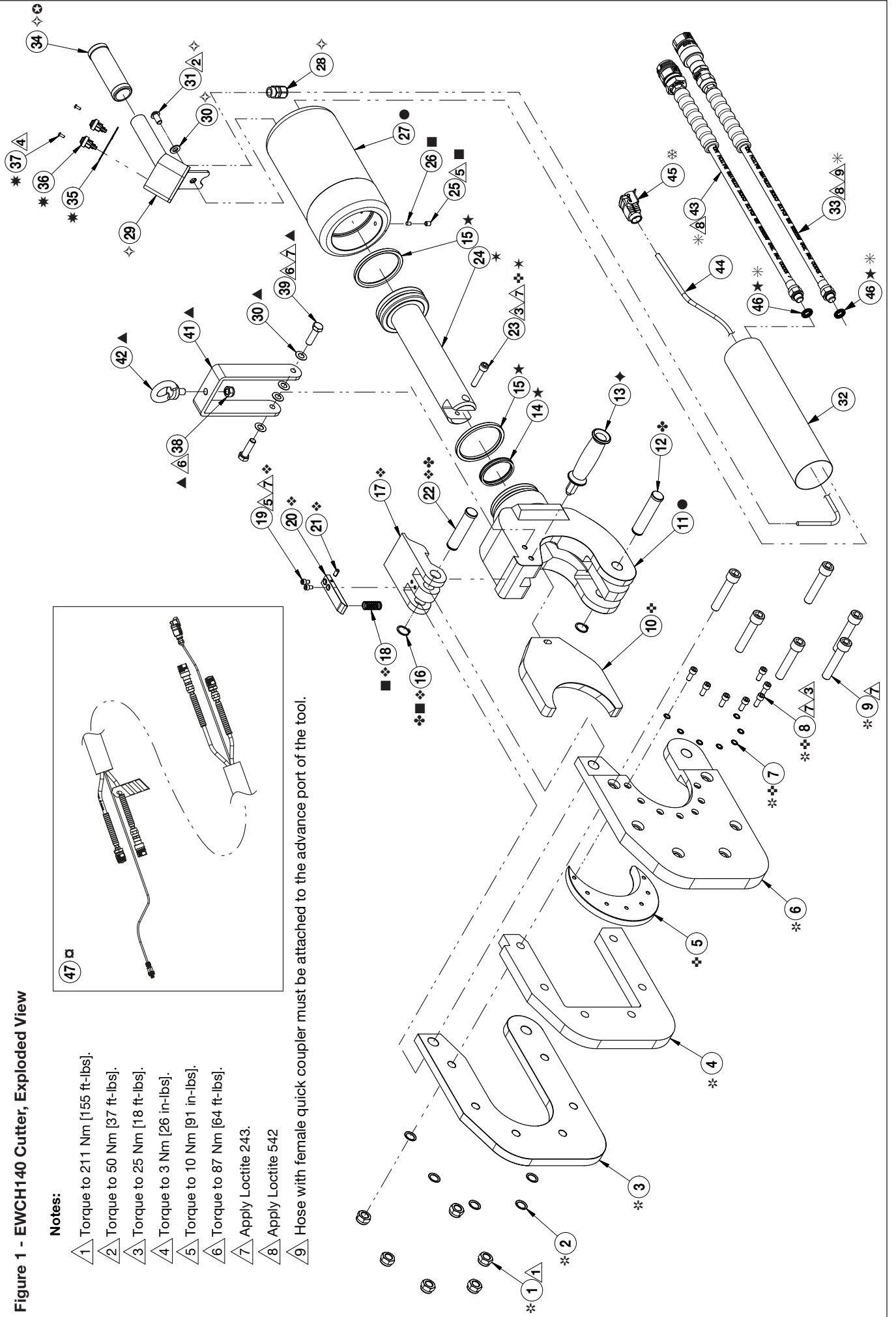
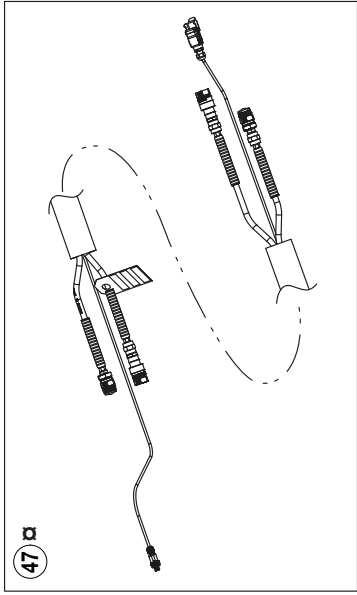
**⚠ WARNING** Be certain that hydraulic pressure is completely relieved (0 psi/bar) before beginning any adjustment, maintenance or repair procedures. Appropriate shop safety procedures are to be followed during disassembly and reassembly to minimize any possibility of injury.

**Note:** Parts kits, components and product features described in this document are subject to change without notice.

**Figure 1 - EWCH140 Cutter, Exploded View**

**Notes:**

- 1 Torque to 211 Nm [155 ft-lbs].
- 2 Torque to 50 Nm [37 ft-lbs].
- 3 Torque to 25 Nm [18 ft-lbs].
- 4 Torque to 3 Nm [26 in-lbs].
- 5 Torque to 10 Nm [91 in-lbs].
- 6 Torque to 87 Nm [64 ft-lbs].
- 7 Apply Loctite 243.
- 8 Apply Loctite 542
- 9 Hose with female quick coupler must be attached to the advance port of the tool.



Repair Parts List for Figure 1			
Item No.	Part Number	Qty.	Description
1	*	6	Lock nut M16 UNI 7474 Zn
2	*	6	Shnorr washer M16 Zn
3	*	1	Support plate
4	*	1	Spacer plate
5	♣	1	Fixed blade
6	*	1	Fixed blade support
7	♣*	7	Shnorr washer M8 Zn
8	♣*	7	Socket cap screw M8x20 UNI 5931 Zn
9	*	6	HXBT screw M16 x 80 UNI 5739 Zn
10	♣	1	Moving blade
11	●	1	Blades support
12	♣	1	Pin
13	◆	1	Handle
14	★	1	Gasket CSC 7060
15	★	2	Gasket NPU 100 x 84.5 x 6.3
16	◆*♣	2	Snap ring external D=22 UNI 7435
17	◆	1	Hook
18	◆*	1	Spring F.1.2 x e16
19	◆	2	Socket cap screw M6 x 16 UNI 5931 Zn
20	◆	1	Return lever
21	◆	1	Coiled spring pin 4 x 8 UNI 6873
22	◆*♣	1	Pin
23	♣*	1	Socket cap screw M10 x 47 UNI 5931 Zn
24	*	1	Piston
25	■	1	Set screw M8 x 10 UNI 5923
26	■	1	Plastic pin
27	●	1	Cylinder assembly
28	◇	1	Cable gland
29	◇	1	Handle assembly
30	◇	5	Flat washer M10 UNI 6592 Zn
31	◇	1	Button screw M10 x 20 10.9 UNI 7380 Zn
32	N/A	1	Protective sheath
33	*	1	High press. hose (700 Series) G 1/4 F + DC1392900
34	◇*♣	1	Grip

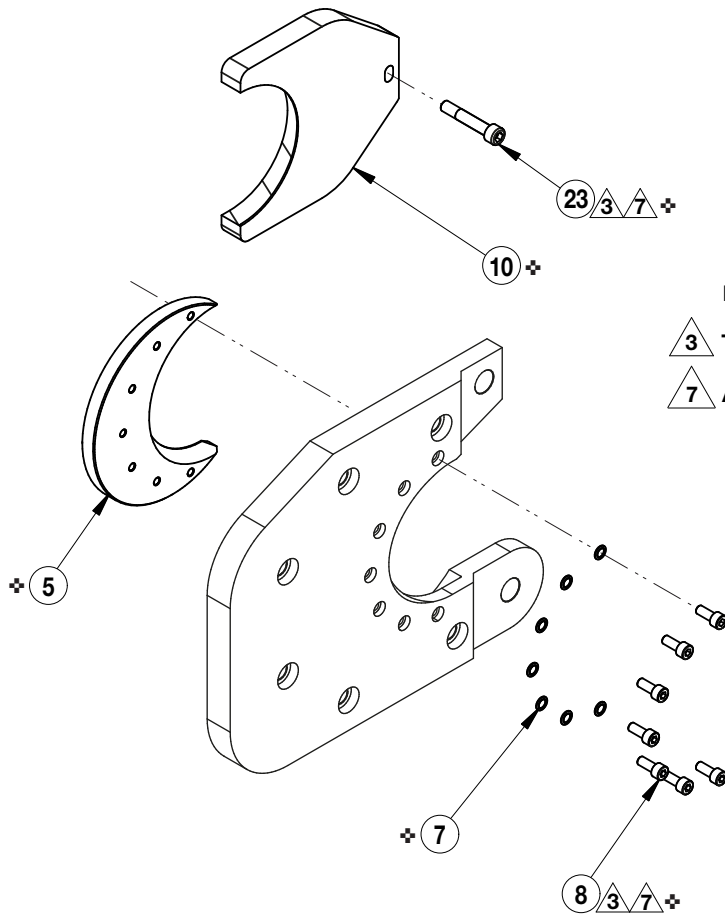
Repair Parts List for Figure 1 (Continued)			
Item No.	Part Number	Qty.	Description
35	*	1	Button panel
36	*	2	Push button switch
37	*	2	Button screw M4 x 10 10.9 UNI 7380 Zn
38	▲	1	Lock nut M12 UNI 7474 Zn
39	▲	2	Hex cap screw TE M10 x 40 UNI 5739 Zn
41	▲	1	Lifting hook
42	▲	1	Eyebolt M12
43	*	1	High press. hose (700 Series) G 1/4 F + CJ649096
44	N/A	1	Cable
45	*	1	Connector
46	★*	2	Bonded seal washer (included with items 33 and 43)
47	□	1	Hose and Cable Assembly, 6m long

Kit Information		
Symbol	Included In	See Figure
♣	EWCH14001K Blade Kit	2
★	EWCH14002K Seal Kit	3
*	EWCH14003K Guide Kit	4
▲	EWCH14004K Lift Kit	5
◆	EWCH14005K Latch Kit	6
■	EWCH14006K Small Parts Kit	7
●	EWCH14007K Head and Cylinder Body Kit	8
*	EWCH14008K Piston Kit	9
♣	EWCH14009K Pin Kit	10
*	EBH5204K Switches Kit	11
◇	EBH5205K Handle Kit	12
◆	EWCH9009K Side Handle Kit	13
♣	EBH5206K Grip Kit	14
*	ECH5001K Hydraulic Hose Kit	15
*	CKECHYD Connector Kit	16
□	CH720EC Hose and Cable Assembly Kit	17
N/A	DKSCOMP Decal Kit	18

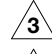
Refer to figures 2 through 18 for kit part exploded views and additional service information.

N/A - Not Available

Figure 2 - EWCH14001K Blade Kit

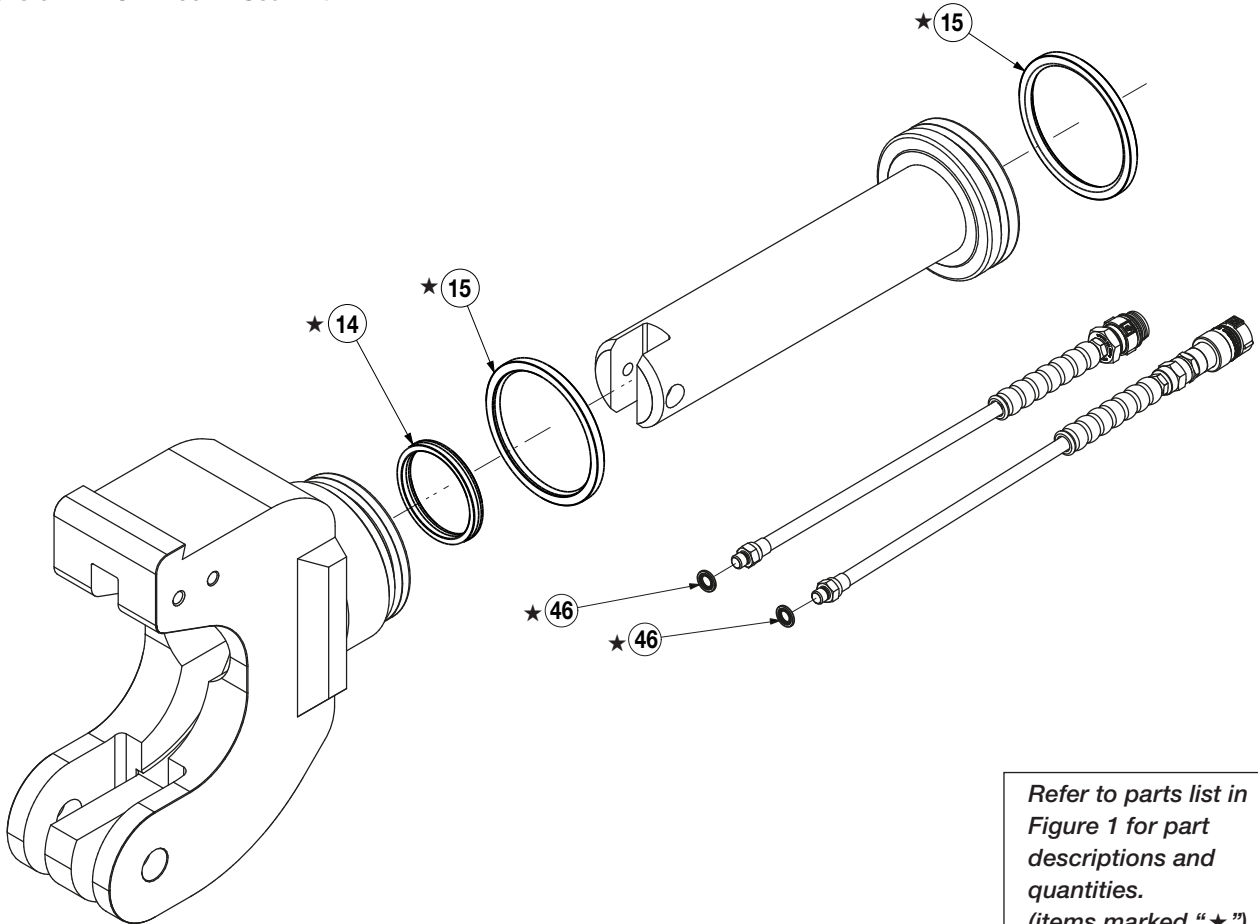


Notes:

-  Torque to 25 Nm [18 ft-lbs].
-  Apply Loctite 243.

Refer to parts list in Figure 1 for part descriptions and quantities. (items marked “+”)

Figure 3 - EWCH14002K Seal Kit

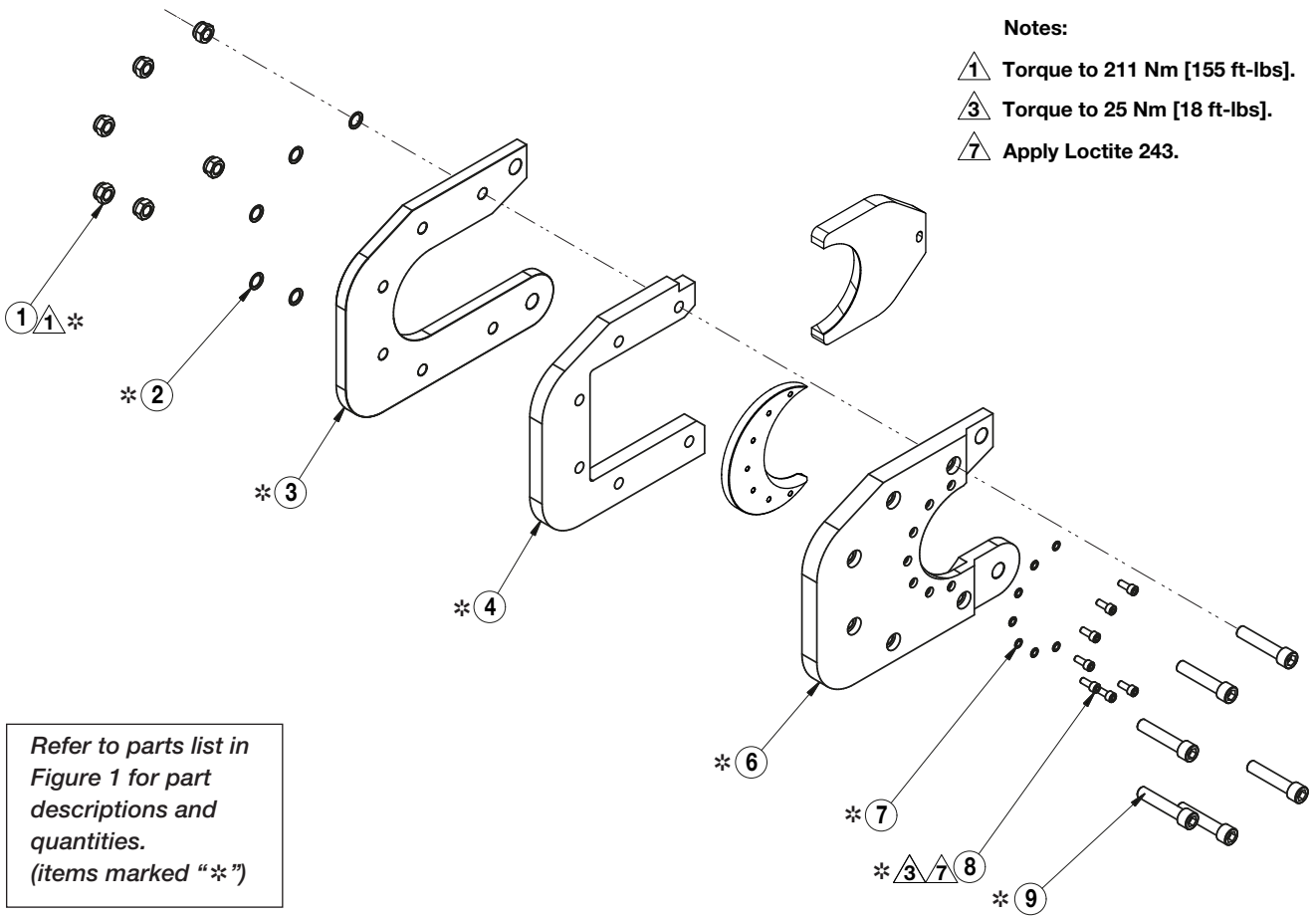


Refer to parts list in Figure 1 for part descriptions and quantities. (items marked “★”)

Figure 4 - EWCH14003K Guide Kit

Notes:

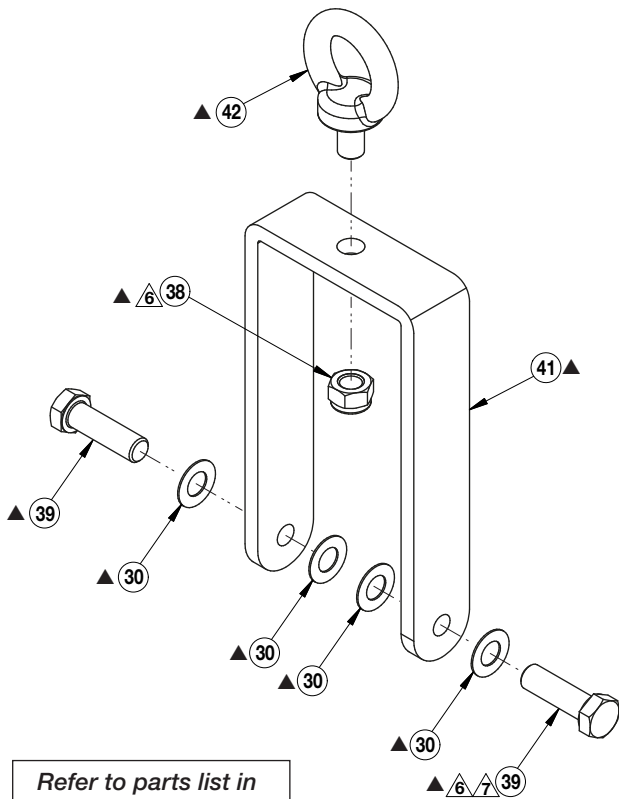
- ▲1 Torque to 211 Nm [155 ft-lbs].
- ▲3 Torque to 25 Nm [18 ft-lbs].
- ▲7 Apply Loctite 243.



Refer to parts list in Figure 1 for part descriptions and quantities. (items marked “\*”)

Figure 5 - EWCH14004K Lift Kit

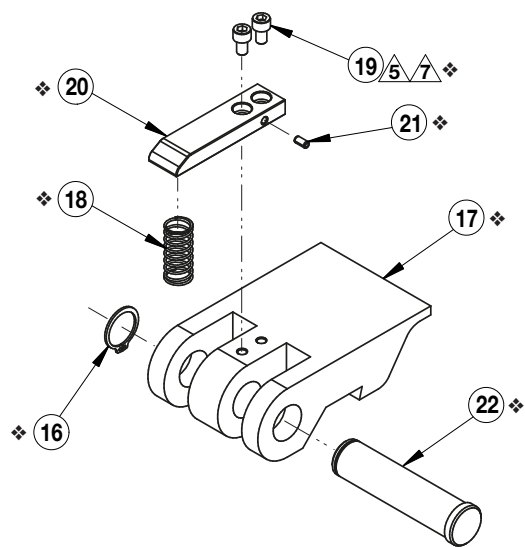
Figure 6 - EWCH14005K Latch Kit



Notes:

- ▲6 Torque to 87 Nm [64 ft-lbs].
- ▲7 Apply Loctite 243.

Refer to parts list in Figure 1 for part descriptions and quantities. (items marked “▲”)

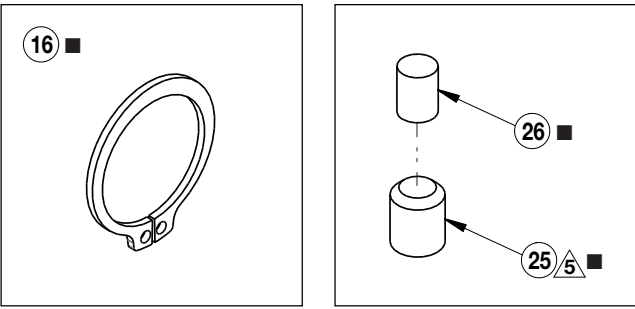


Notes:

- ▲5 Torque to 10 Nm [91 in-lbs].
- ▲7 Apply Loctite 243.

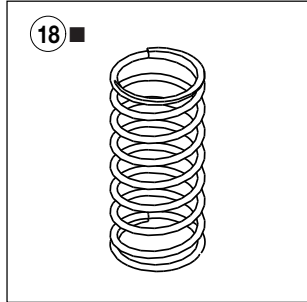
Refer to parts list in Figure 1 for part descriptions and quantities. (items marked “❖”)

Figure 7 - EWCH14006K Small Parts Kit



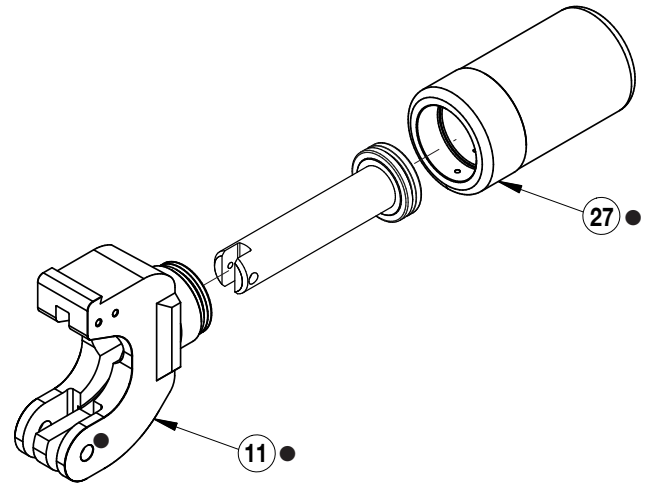
Note:

5 Torque to 10 Nm [91 in-lbs].



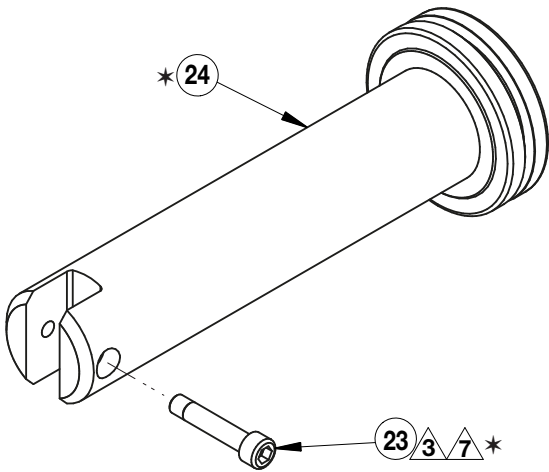
Refer to parts list in Figure 1 for part descriptions and quantities. (items marked "■")

Figure 8 - EWCH14007K Head and Cylinder Body Kit



Refer to parts list in Figure 1 for part descriptions and quantities. (items marked "●")

Figure 9 - EWCH14008K Piston Kit

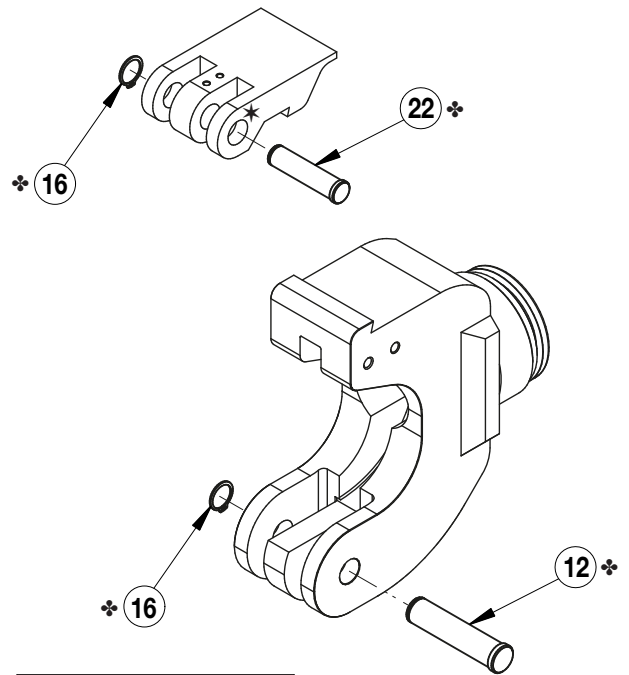


Notes:

- 3 Torque to 25 Nm [18 ft-lbs].
- 7 Apply Loctite 243.

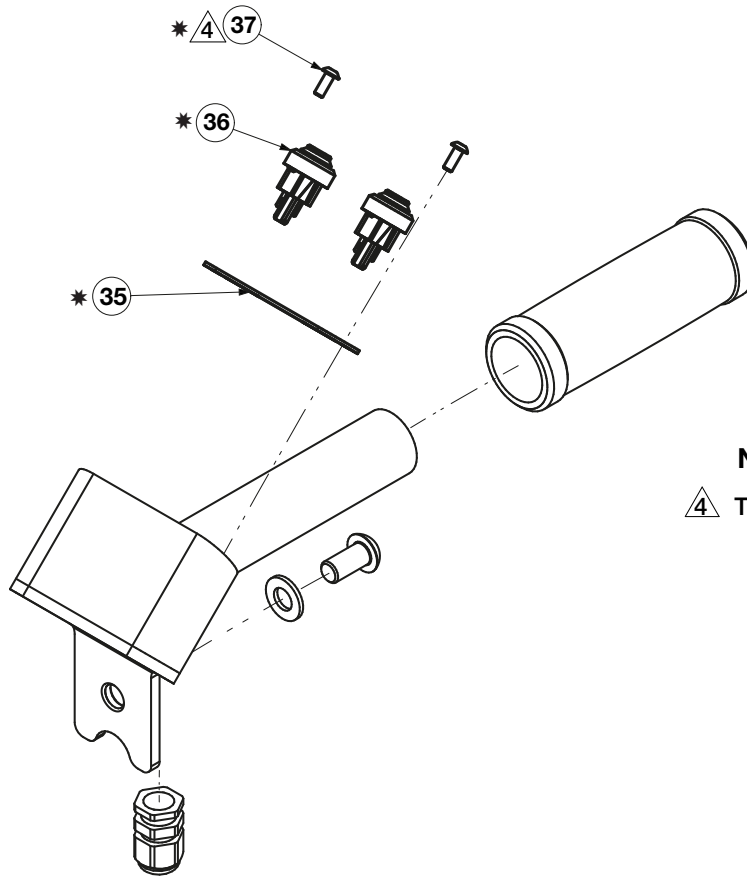
Refer to parts list in Figure 1 for part descriptions and quantities. (items marked "\*")

Figure 10 - EWCH14009K Pin Kit



Refer to parts list in Figure 1 for part descriptions and quantities. (items marked "\*")

Figure 11 - EBH5204K Switches Kit

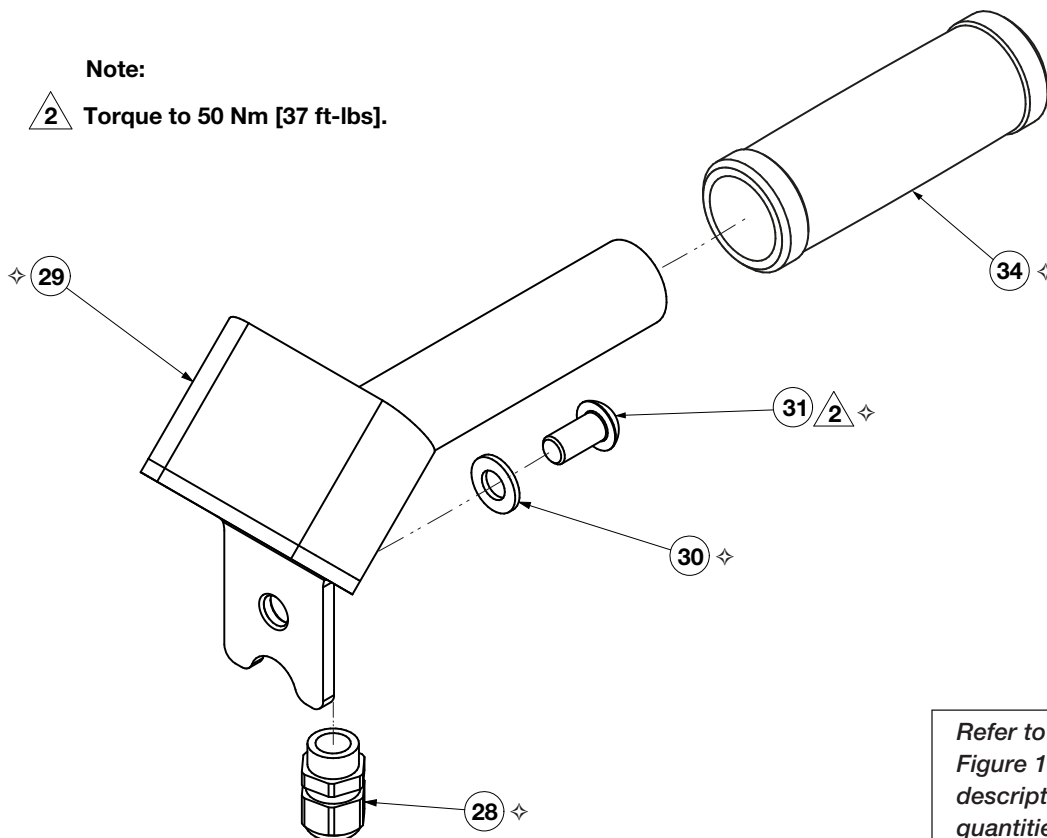


**Note:**

**4**  $\Delta$  Torque to 3 Nm [26 in-lbs].

Refer to parts list in Figure 1 for part descriptions and quantities. (items marked “\*”)

Figure 12 - EBH5205K Handle Kit

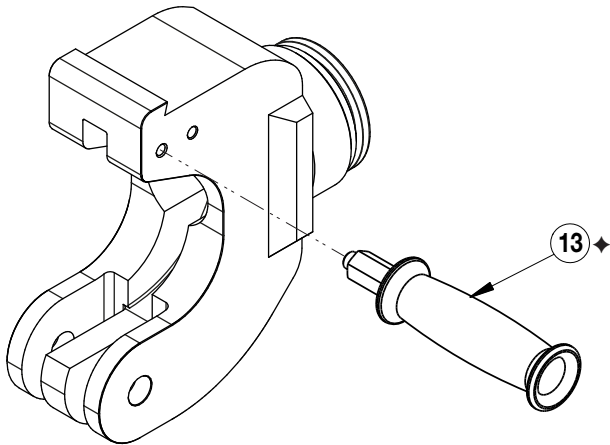


**Note:**

**2**  $\Delta$  Torque to 50 Nm [37 ft-lbs].

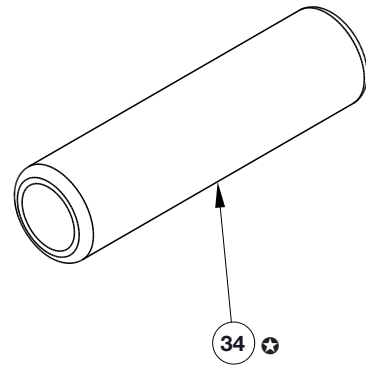
Refer to parts list in Figure 1 for part descriptions and quantities. (items marked “ $\diamond$ ”)

**Figure 13 - EWCH9009K Side Handle Kit**



Refer to parts list in Figure 1 for part descriptions and quantities. (items marked "◆")

**Figure 14 - EBH5206K Grip Kit**

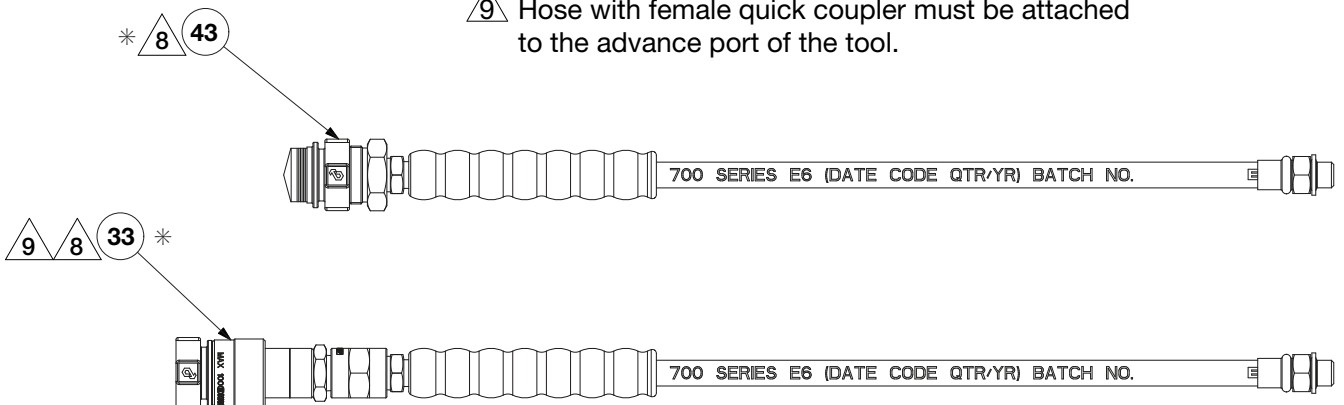


Refer to parts list in Figure 1 for part descriptions and quantities. (items marked "☆")

**Figure 15 - ECH500IK Hydraulic Hose Kit.**

**Notes:**

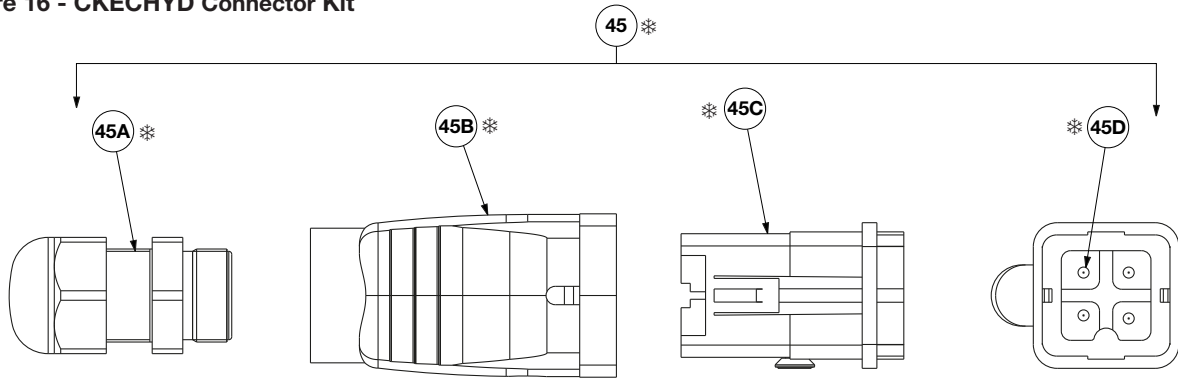
- ▲ 8 Apply Loctite 542.
- ▲ 9 Hose with female quick coupler must be attached to the advance port of the tool.



Refer to parts list in Figure 1 for part descriptions and quantities. (items marked "※")



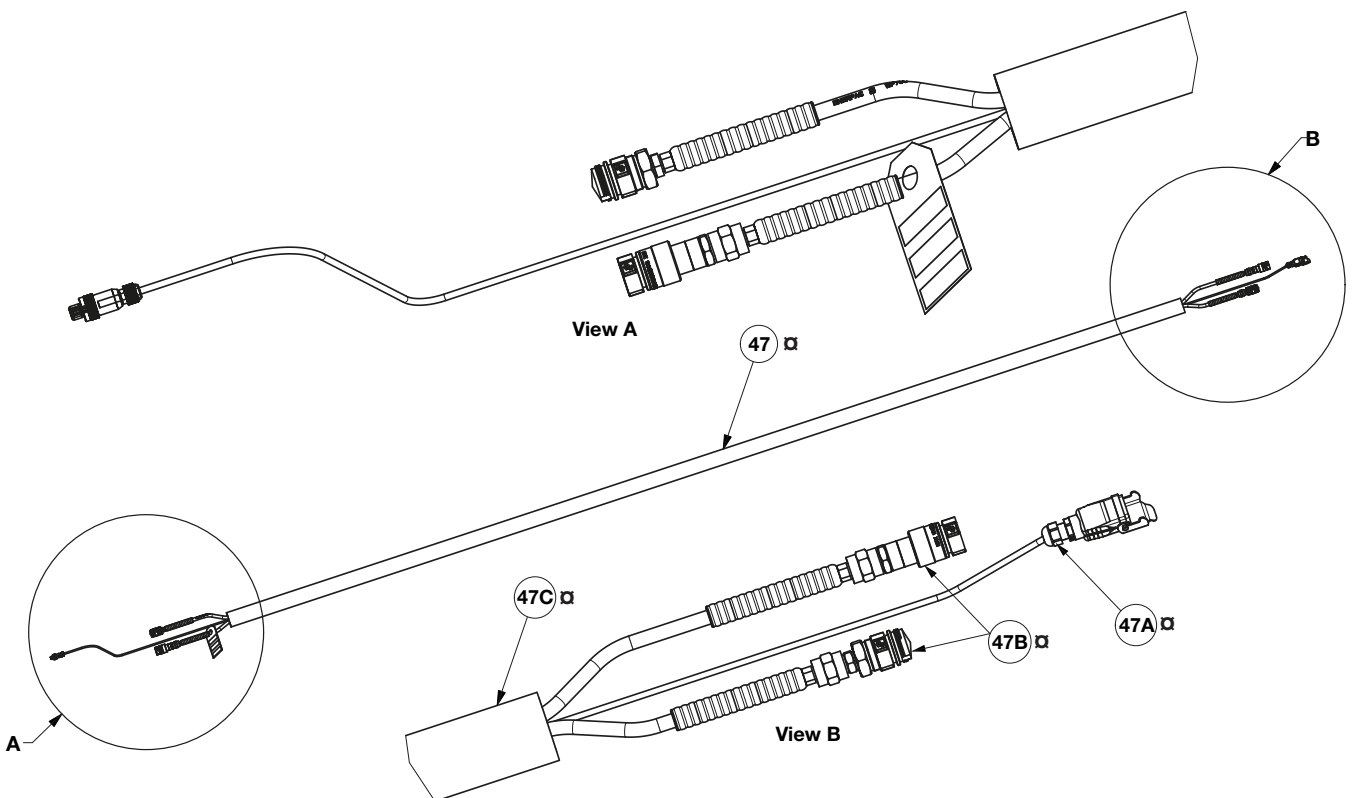
**Figure 16 - CKECHYD Connector Kit**



**Note:**  
Items Included in the CKECHYD Kit (item 45):

Item No.	Description
45A	Cable Gland
45B	Housing
45C	Connector
45D	Pins

**Figure 17 - CH720EC Hose and Cable Assembly Kit**



**Note:**  
Items Included in the CH720EC Kit (item 47):

Item No.	Description	Part No.
47A	Electrical Cable	EW720EC
47B	Twin Hydraulic Hose Assy.	CH720MC
47C	Chafe Wrap	S720EC

**Figure 18 - DKSCOMP Decal Kit**

**Notes:**

- The decal kit contains decals used on many different cutter models.
- Replace only the decals used on your cutter. Discard the remaining decals in the kit.



