



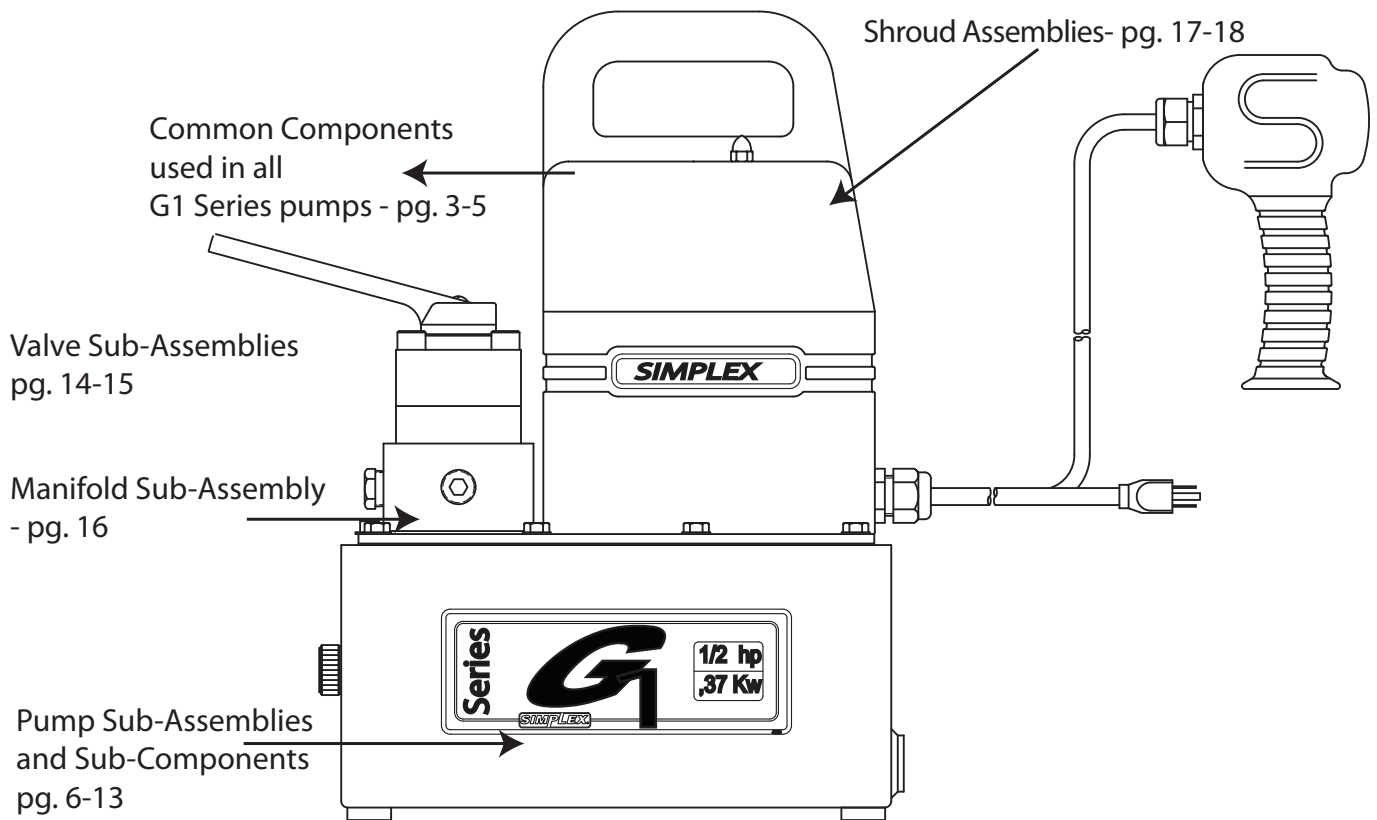
WWW.TKSIMPLEX.COM

TECHNICAL REPAIR PART SHEET

G1 Series  
G1 Series Pump

PART SHEET NUMBER	REVISION NUMBER	DATE CODE RANGE	DOCUMENT DATE
TD053	B	N/A	04/13

This illustration is for reference purposes only. The appearance of your unit may differ from the unit shown.



# G1 Series Electric Power Pump

# How to Identify Parts for Your Model

MODEL MATRIX - Understanding our model number configurations:

PUMP CLASS		PUMP TYPE		
<b>G</b>	<b>1</b>	<b>1</b>	<b>4</b>	<b>1</b>
MODEL	PERFORMANCE SERIES	POWER CONSUMPTION	VALVE FUNCTION	RESERVOIR SIZE
G = GEN II PUMP	1 = 1/2 HP	1 = 115 VAC 2 = 230 VAC	0 = DUMP 1 = 2 WAY DUMP 2 = 2 WAY MANUAL 3 = 3 WAY MANUAL 4 = 4 WAY MANUAL	0 = 1 GAL. PLASTIC 1 = 1 GAL. METAL

## MODEL NUMBER & DATE CODE LOCATION

For example, the date code and serial number

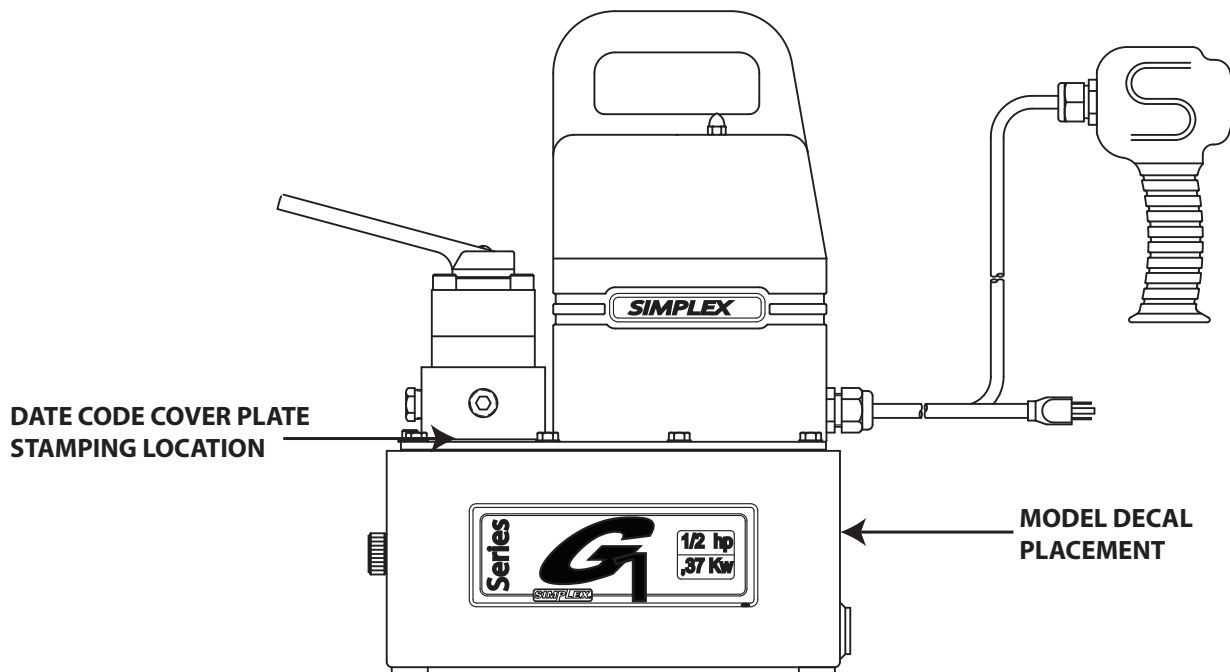
J = **OCTOBER**

07 = **YEAR 2007**

42 = **WEEK NUMBER IN YEAR**

**J 07 42**

A	B	C	D	E	F	G	H	I	J	K	L
1	2	3	4	5	6	7	8	9	10	11	12

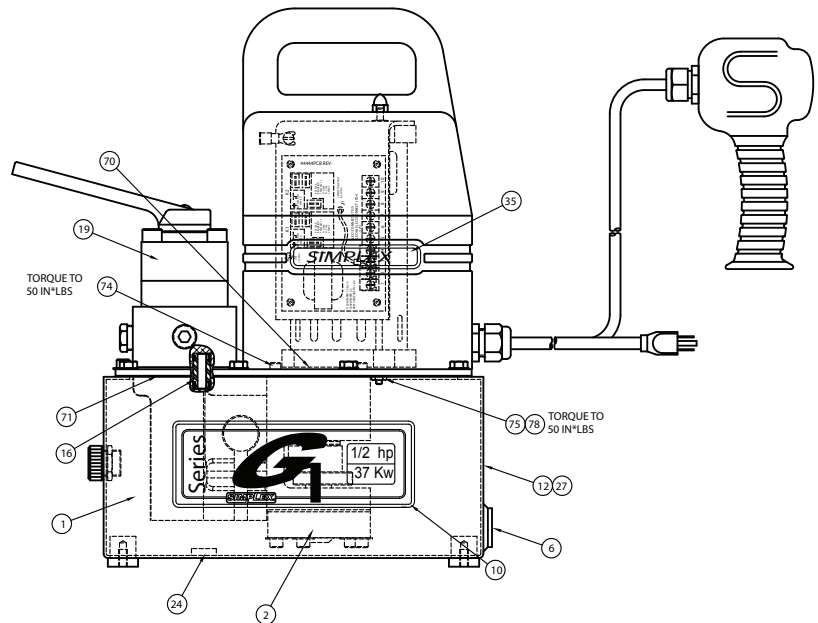
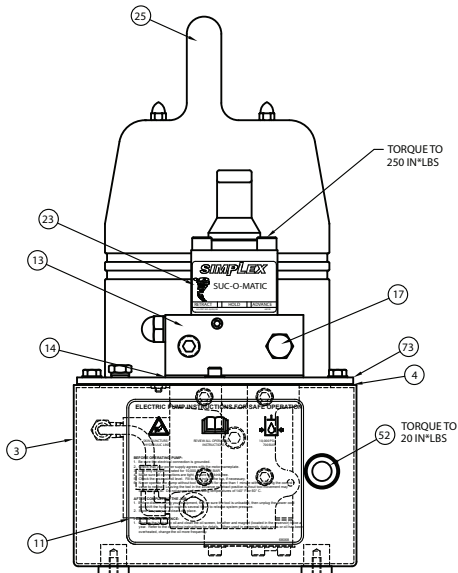
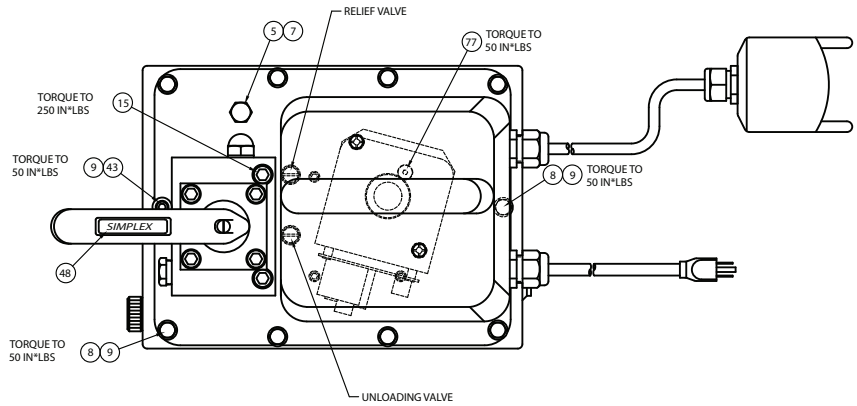


# G1 Series Electric Power Pump

# Common Components used in Pumps

**NOTE:** This illustration is for reference only. The appearance of your unit may differ from the unit shown.

## MANUAL VERSION

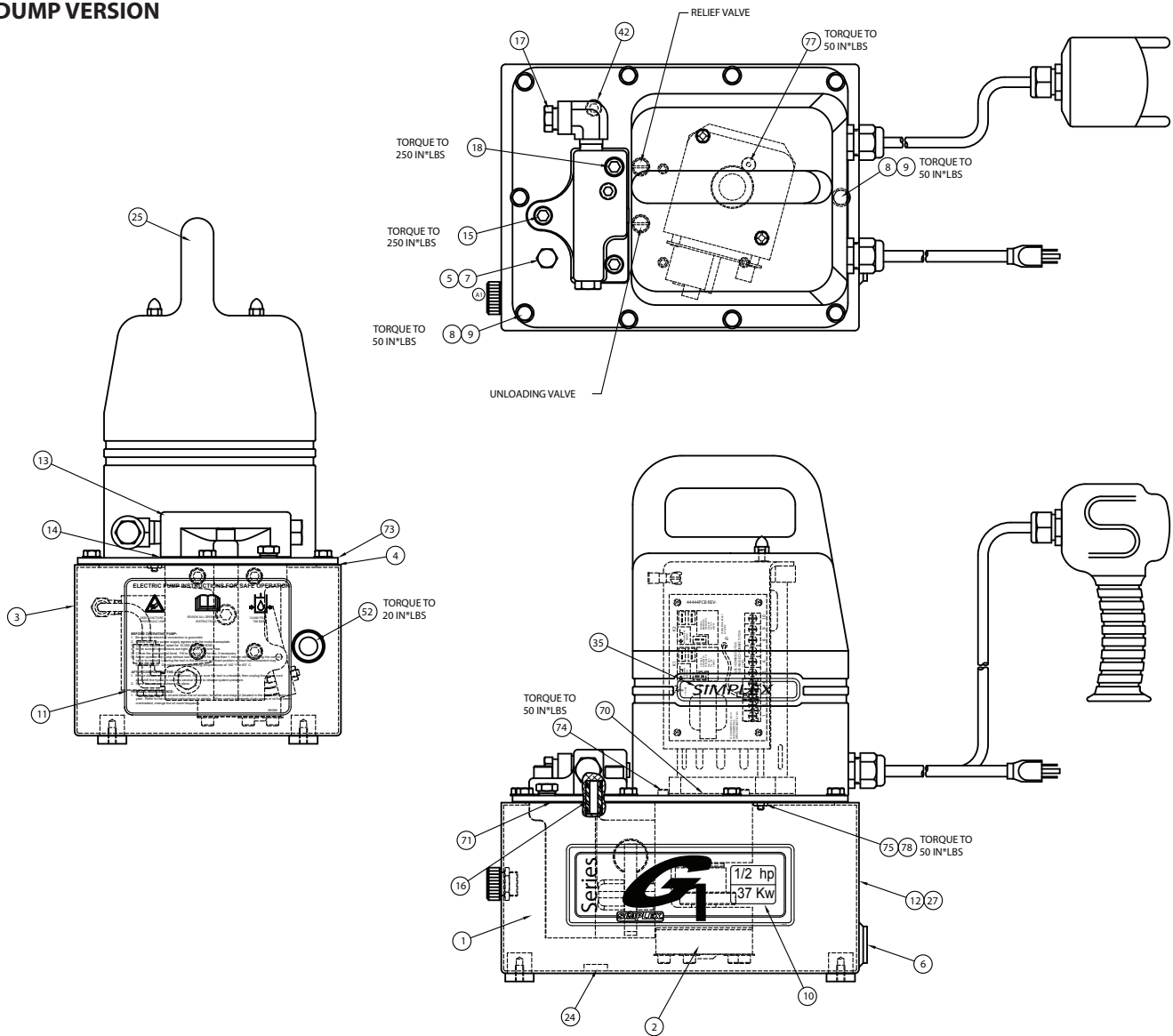


# G1 Series Electric Power Pump

# Common Components used in Pumps

**NOTE:** This illustration is for reference only. The appearance of your unit may differ from the unit shown.

## DUMP VERSION



# G1 Series Electric Power Pump

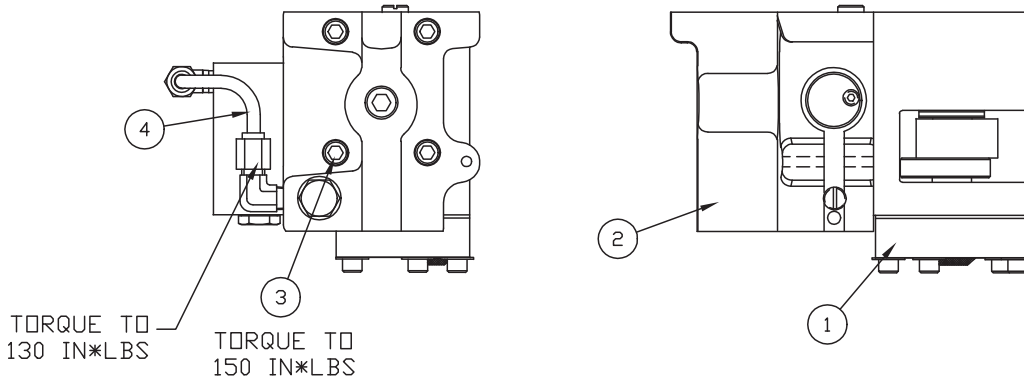
# Common components used in pumps

ITEM #	DESCRIPTION	115 V.	230 V.	QTY.
002	PUMP ASSEMBLY G1	SEE PAGE 6		1.00
003	RESERVOIR 1 GALLON (STEEL)	46109P	46109P	1.00
003	RESERVOIR 1 GALLON (PLASTIC RES)	43518	43518	1.00
004	RESERVOIR GASKET (STEEL)	46476	46476	1.00
004	RESERVOIR GASKET (PLASTIC RES)	43565	43565	1.00
005	BREATHER VENT	69264	69264	1.00
006	PIPE PLUG 1/2" FLUSH W/ COATING	46697	46697	1.00
007	HEX PIPE PLUG 1/4" W/ COATING	46512	46512	1.00
008	HHCS 1/4-20 X .75 PLT	65891	65891	9.00
008	SCREW 1/4-20 X 3/4 ST (PLASTIC RES)	69249	69249	8.00
009	SEALING WASHER	65892	65892	10.00
009	SCREW 1/4-20 X 1 ST (PLASTIC RES)	65892	65892	1.00
010	RESERVOIR DECAL G1	46692	46692	2.00
011	LABEL SAFE USE ELEC	68068	68068	1.00
012	BLANK DECAL 3 X 4	87305	87305	1.00
013	MANIFOLD ASSM	SEE PAGE 16		1.00
014	VALVE GASKET	69242	69242	1.00
014	VALVE GASKET (DUMP VALVE)	44646	44646	1.00
015	SHCS 3/8-16 X 2 1/4	93598	93598	3.00
015	SHCS 3/8-16 X 1 1/4 DUMP	93596	93596	2.00
016	ADAPTER ASSY.	68693SS	68963SS	1.00
017	HEX PIPE PLUG 3/8"	46513	46513	2.00
017	HEX PIPE PLUG 3/8" (2 WAY/3WAY /DUMP)	46513	46513	1.00
O18	SHCS 3/8-16 X 1 3/4 DUMP	84692	84692	1.00
019	VALVE ASM	SEE PAGE 14-15		1.00
023	LABEL, POSITION 4WAY	68069	68069	1.00
023	LABEL, POSITION 3WAY	68199	68199	1.00
024	MAGNET	66021	66021	1.00
O25	SHROUD ASSEMBLY 115V/ 230V	SEE PAGE 17-18		1.00
027	DECAL OVERLAY	46539	46539	1.00
035	SIMPLEX LOGO	88186	88186	2.00
O42	PIPE PLUG 1/4" FLUSH W/ COATING	46510	46510	1.00
043	SHCS 1/4-20 X 3/4 LG	93582	93582	1.00
048	SIMPLEX LOGO	88187	88187	1.00
052	SIGHT GAUGE	46009	46009	1.00
070	MOTOR GASKET POW'R BUDDY	45532	45532	1.00
071	GASKET POW'R BUDDY PUMP	45902	45902	1.00
073	COVER PLATE POW'R BUD	43517	43517	1.00
074	SHCS #10-24 X 0.50 LG	85009	85009	3.00
075	HEX JAM NUT #10-32	89958	89958	2.00
077	FHCS 10-24 X 0.50LG	43557	43557	1.00
078	LOCKWASHER EXTERNAL TOOTH #10	Y0010765	Y0010765	2.00

# G1 Series Electric Power Pump

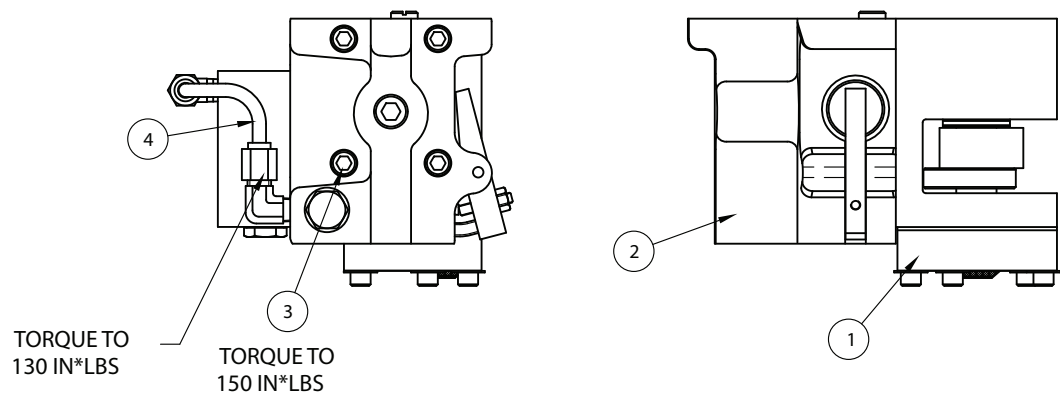
# Pump Assembly

## (46693SS) PUMP ASM.



ITEM #	DESCRIPTION	PART #	QTY.
001	POW'R BUD PUMP ASM	SEE PAGE 7-8	1.00
002	POW'R BUD VLV BODY ASM.	SEE PAGE 12-13	1.00
003	SHCS 5/16-24 X 1" LG	84188	4.00
004	POW'R BUD TUBE	43542	1.00

## (46696SS) PUMP ASM. (DUMP PUMPS)

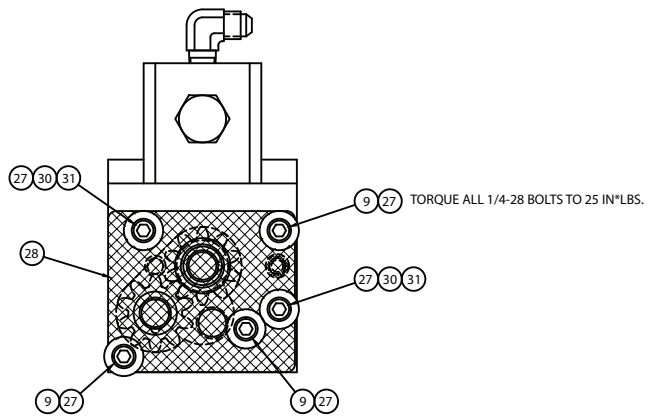
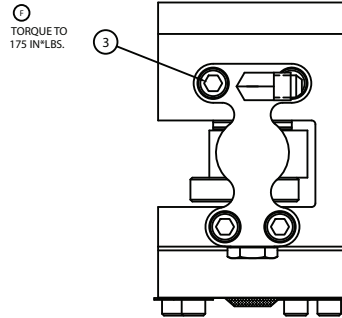
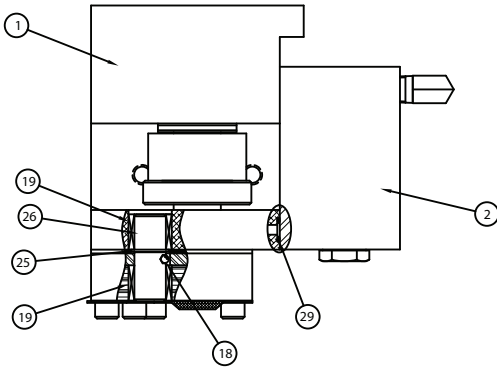
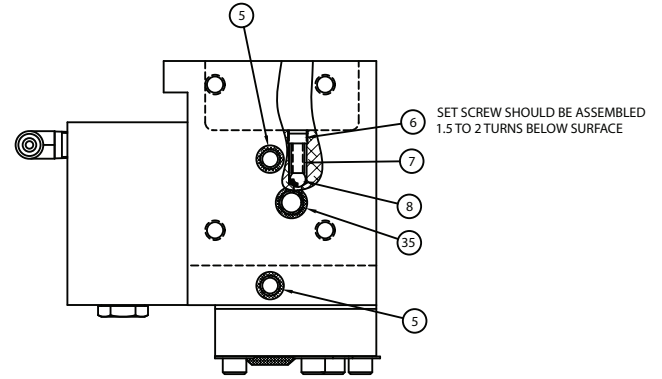
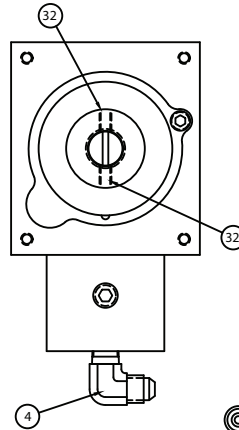
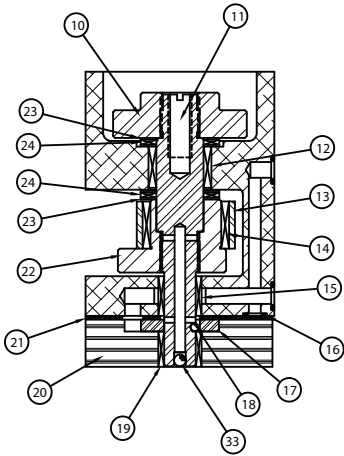


ITEM #	DESCRIPTION	PART #	QTY.
1	POW''R BUD PUMP ASM	SEE PAGE 7-8	1
2	POW''R BUD DUMP ASM	SEE PAGE 9-10	1
3	SHCS 5/16-24 X 1''' LG	84188	4
4	POW''R BUD TUBE	43542	1

# G1 Series Electric Power Pump

# Pump Sub Assembly

**(43544SS) PUMP SUB ASM.**



# G1 Series Electric Power Pump

# Pump Sub Assembly

**(43544SS) PUMP SUB ASM.**

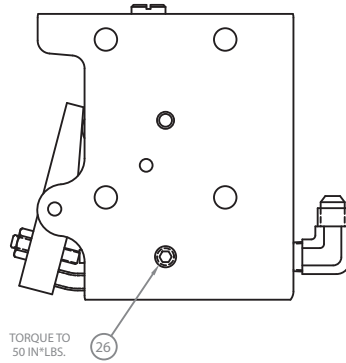
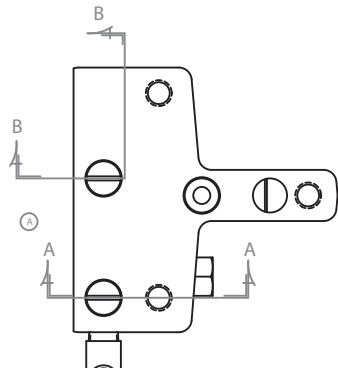
ITEM #	DESCRIPTION	PART #	QTY.
001	POW'R BUD C PUMP MAC	43270	1.00
002	POW'R BUDDY PISTON BLOCK ASSEMBLY	SEE PAGE 11	1.00
003	SHCS 5/16-24 X 1.75	69392	4.00
004	MALE ELBOW 1/8 PIPE	69354	1.00
005	O-RING 5/16X7/16	5602011	2.00
006	SET SCREW 5/16-24 X 5/32 HOLLOW	43280	1.00
007	POW'R BUDDY RESTRICTOR SPRING	43281	1.00
008	BALL 1/4"	92549	1.00
009	SHCS 1/4-28 X 1.25LG	40118	3.00
010	REDUCING GEAR	43520	1.00
011	POW'R BUDDY PUMP SHAFT	43278	1.00
012	ROLL BRG 3/4ID X 5/8	43346	1.00
013	POW'R BUD ECC RING	43353	1.00
014	ROLL BRG 1 1/8 X 3/4	43347	1.00
015	BEARING ROLLER 1/2x11/16x1/2 WIDE	68891	1.00
016	O RING 1/4X3/8	5602010	1.00
017	GEAR-SET G1 PUMP	DS1245228	1.00
018	BALL 1/8"	90906	2.00
019	ROLL BEAR 1/2IDX1/2	43345	3.00
020	POW'R BUD BOTTOM PLATE	45536	1.00
021	POW'R BUDDY WEAR PLATE	43279	1.00
022	POW'R BUDDY ECCENCTRIC RING	43275	1.00
023	THRUST WASHER 3/4"ID	43349	4.00
024	THRUST BRG 3/4" ID	43348	2.00
025	POW'R BUDDY IDLER SHAFT	43276	1.00
026	RING-RETAINING	68892	1.00
027	WASHER 1/4" SS	88429	5.00
028	POW'R BUDDY SCREEN	43548	1.00
029	O-RING 3/16X5/16	5602008	1.00
030	TUBE-GUIDE .11	68894	2.00
031	SHCS 1/4-28 X 1 1/2	89148	2.00
032	SET SCREW #10-24 X 1/4 CUP	44596	2.00
033	BALL 3/16"	90548	1.00
035	O-RING 3/8X1/2	5602012	1.00



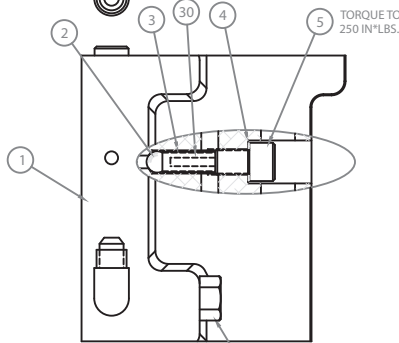
# G1 Series Electric Power Pump

# Pump Sub Assembly

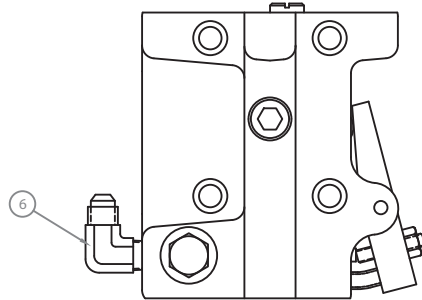
**(43543SS) PUMP SUB ASM. (DUMP PUMPS)**



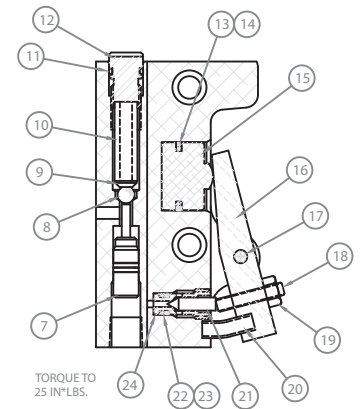
TORQUE TO 50 IN\***LBS.**



TORQUE TO 250 IN\***LBS.**

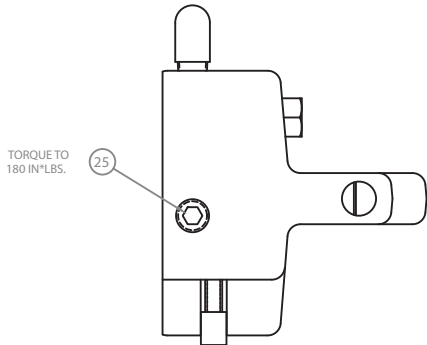


TORQUE TO 125 IN\***LBS.**



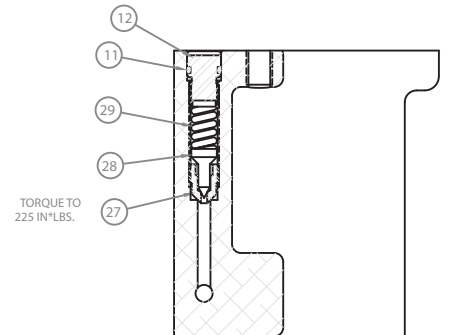
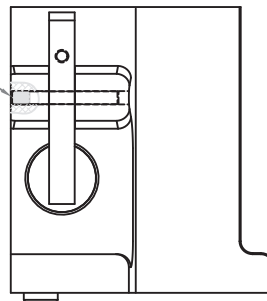
TORQUE TO 25 IN\***LBS.**

**SECTION B-B**



TORQUE TO 180 IN\***LBS.**

ASSEMBLE ITEM 17 PIN WITH KNURL ON THIS SIDE



TORQUE TO 225 IN\***LBS.**

# G1 Series Electric Power Pump

# Pump Sub Assembly

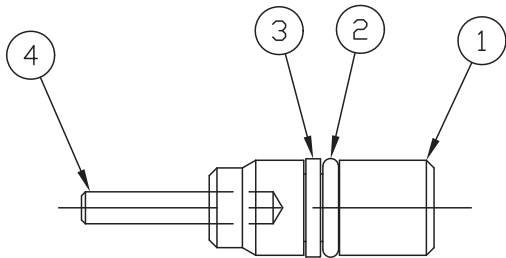
## (43543SS) PUMP SUB ASM. (DUMP PUMPS)

ITEM #	DESCRIPTION	PART #	QTY
1	PB VALVE BODY SECT.	43269	1
2	BALL 5/16"	91701	1
3	SPRING	68225	1
4	GASKET 25/64X19/32	85726	1
5	SCREW, BALL STOP	68226	1
6	MALE ELBOW 1/8 PIPE	69354	1
7	UNLOADING PISTON ASM	PAGE 11	1
8	BALL 1/4"	92549	1
9	POW'R BUDDY SPRING CAP	43277	1
10	SPRING UNLOADING VLV	68981	1
11	O-RING 3/8X1/2	5602012	2
12	POW'R BUDDY ADJUSTING SCRE	43274	2
13	O-RING 11/16X13/16	5602017	1
14	SEAL	68497	1
15	DUMP PISTON	69321	1
16	LEVER-DUMP	68494	1
17	POW'R BUD DUMP PIN	43344	1
18	SET SCREW #10-32 X 1.0 OVAL	68543	1
19	NUT- 10-32 SELF LOCKING	5757040	1
20	SPRING	68498	1
21	CONE, DUMP	68491	1
22	O-RING 3/16X5/16	5602008	1
23	BACKUP WASHER	56080087	1
24	SEAT, INSERT	68482	1
25	1/4 SOC PIPE PLUG	93950	1
26	1/16 FLUSH PLUG W/ SEALANT	46697	1
26	1/16 SOC PIPE PLUG	97641	1
27	SEAT - EXT RELIEF	68004	1
28	CONE - EXT RELIEF	68003	1
29	SPRING - RELIEF VALVE	66085	1
30	ROLL PIN 1/8 x 15/16	81332	1
31	PLUG SAE #4	68258	1

# G1 Series Electric Power Pump

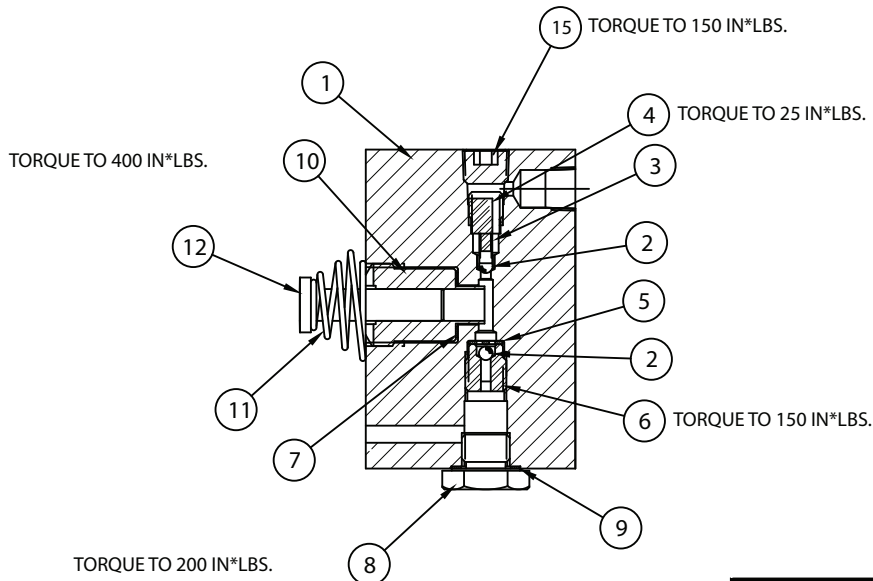
# Sub Component Assemblies

## (43687SS) UNLOAD PISTON ASM.



ITEM #	DESCRIPTION	PART #	QTY.
000	LOCTITE #RC/609	41828	0.01
001	UNLOAD PISTON	68209	1.00
002	O RING 1/4X3/8	5602010	1.00
003	BACKUP WASHER	68145	1.00
004	DOWEL PIN 1/8 DIA X 3/4	43686	1.00

## (43547SS) PISTON BLOCK ASM.

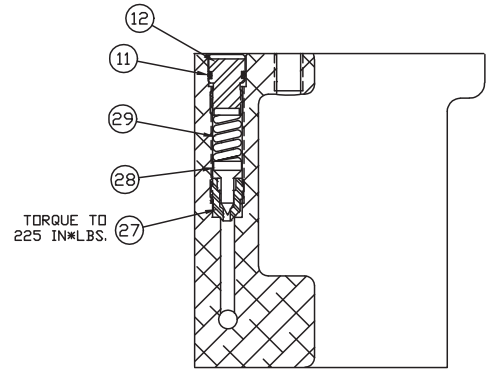
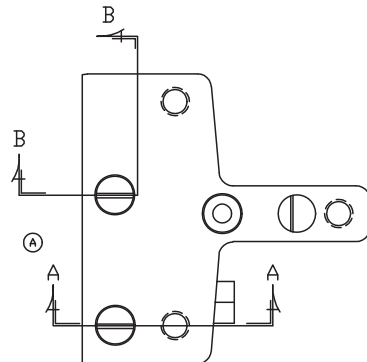
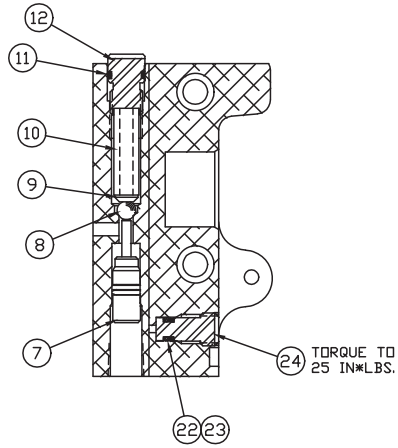


ITEM #	DESCRIPTION	PART #	QTY.
001	POW'R BUDDY PISTON BLOCK	43273	1.00
002	BALL 1/8"	90906	2.00
003	SPRING	66042	1.00
004	BALL STOP	68810	1.00
005	BALL RETAINER	66043	1.00
006	INTAKE SEAT	66046	1.00
007	GASKET 29/64 X 5/8	86269	1.00
008	PLUG PISTON BLOCK	68825	1.00
009	GASKET 25/64X19/32	85726	1.00
010	ADAPTER-.290 PISTON	68820	1.00
011	SPRING, PISTON	68340	1.00
012	PISTON-.290 DIA	68819	1.00
015	PIPE PLUG 1/8" FLUSH W/ COATING	46508	1.00

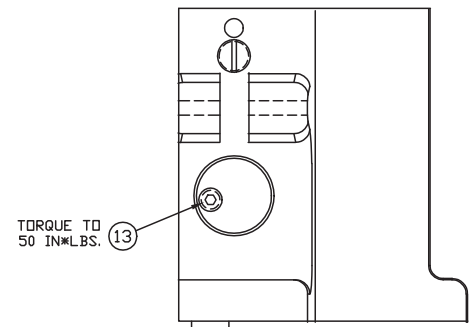
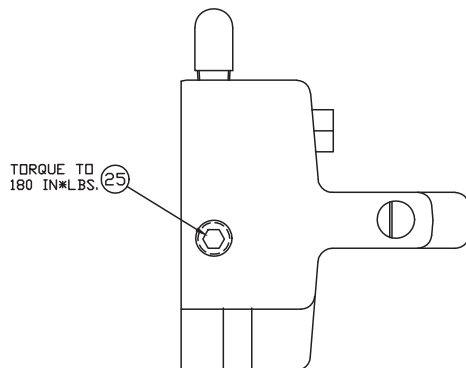
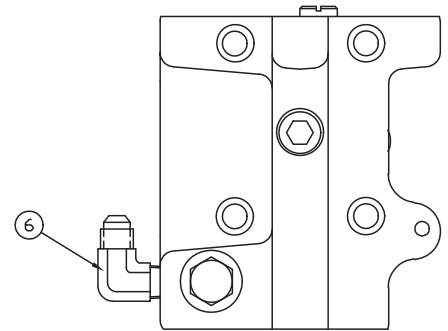
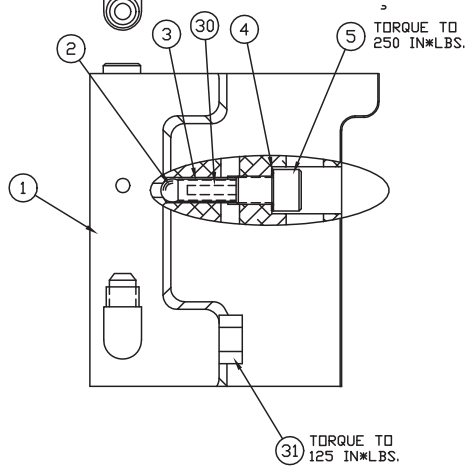
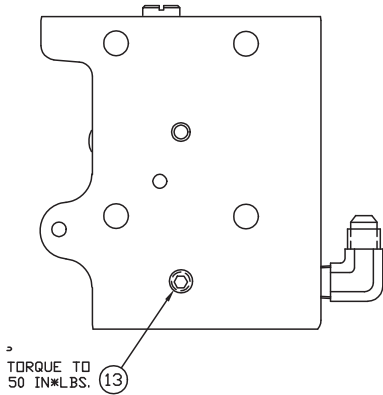
# G1 Series Electric Power Pump

# Pump Sub Assembly

**(43570SS) VALVE BODY ASM.**



SECTION A-A



# G1 Series Electric Power Pump

# Pump Sub Assembly

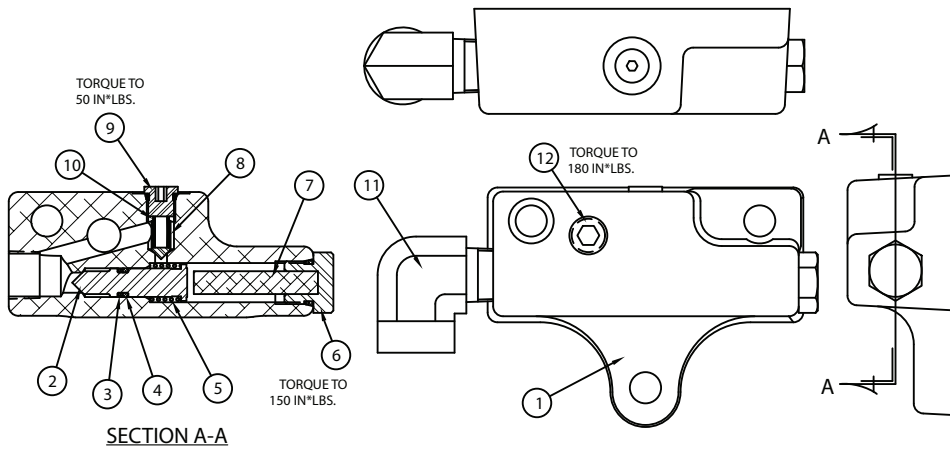
## (43570SS) VALVE BODY ASM.

ITEM #	DESCRIPTION	PART #	QTY.
001	PB VALVE BODY SECT.	43269	1.00
002	BALL 5/16"	91701	1.00
003	POW'R BUDDY JUNCTION SPRING	43282	1.00
004	GASKET 25/64X19/32	85726	1.00
005	SCREW, BALL STOP	68226	1.00
006	MALE ELBOW 1/8 PIPE	69354	1.00
007	UNLOADING PISTON ASM	SEE PAGE 11	1.00
008	BALL 1/4"	92549	1.00
009	POW'R BUDDY SPRING CAP	43277	1.00
010	SPRING UNLOADING VLV	68981	1.00
011	O-RING 3/8X1/2	5602012	2.00
012	POW'R BUDDY ADJUSTING SCREW	43274	2.00
013	1/16 SOC PIPE PLUG	97641	2.00
022	O-RING 3/16X5/16	5602008	1.00
023	BACKUP WASHER	56080087	1.00
024	POW'R BUD DUMP PLUG	43283	1.00
025	1/4 SOC PIPE PLUG	93950	1.00
027	SEAT - EXT RELIEF	68004	1.00
028	CONE - EXT RELIEF	68003	1.00
029	SPRING - RELIEF VALVE	66085	1.00
030	ROLL PIN 1/8 X 15/16	81332	1.00
031	PLUG SAE #4	68258	1.00

# G1 Series Electric Power Pump

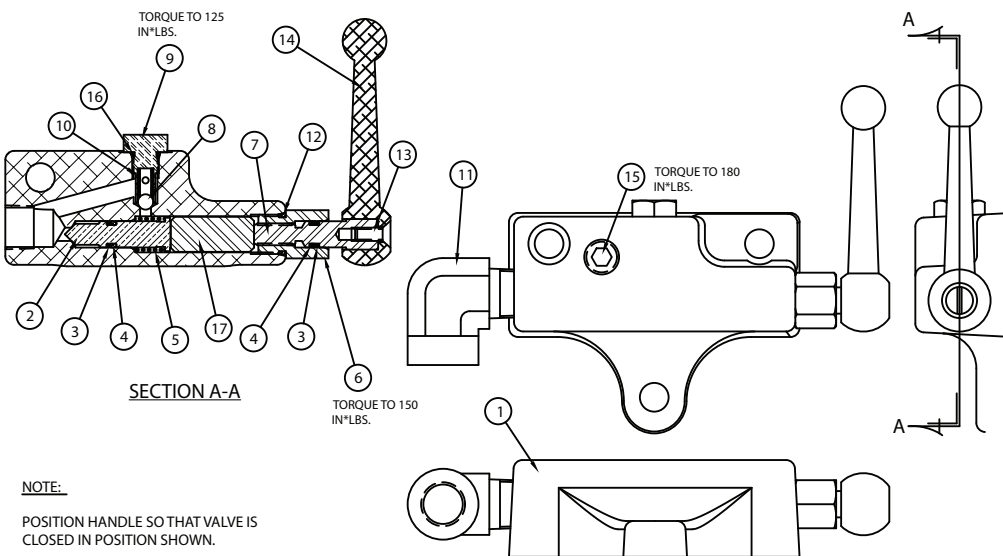
# Valve Assembly

PART#43540SS (DUMP ASM)



ITEM #	DESCRIPTION	PART #	QTY.
1	DUMP VALVE FINISHED	43536P	1
2	DUMP VALVE PISTON	43537	1
3	BACKUP WASH TEF -010	43927	1
4	O RING 1/4X3/8	5602010	1
5	COMPRESSION SPRING	68871	1
6	PLUG SAE #6 PORT	68115	1
7	DUMP VALVE SPACER	43539	1
8	DUMP VALVE CONE 2 WY	44740	1
9	SAE #3 SOC. PLUG	43564	1
10	DUMP VALVE SPRING	43541	1
11	F9 ELBOW 3/8 90 DEGR STRT	18109	1
12	PIPE PLUG	46510	1

PART#43567SS (2 WAY DUMP ASM)



ITEM #	DESCRIPTION	PART #	QTY.
1	DUMP VALVE FINISHED	43536P	1
2	DUMP VALVE PISTON	43537	1
3	BACKUP WASH TEF -010	43927	2
4	O RING 1/4X3/8	5602010	2
5	COMPRESSION SPRING	68871	1
6	ADAPTER	68910	1
7	VALVE STEM 2 WAY	68911	1
8	BALL 7/32DIA.	96006	1
9	DUMP VALVE PLUG	46067	1
10	SPRING 2 WAY VALVE	46068	1
11	F9 ELBOW 3/8 90 DEGR STRT	18109	1
12	O-RING SAE PORT #6	5603906	1
13	FHMS 10-32X.50LG	97156	1
14	LEVER	P6012	1
15	PIPE PLUG	46510	1
16	O-RING SAE PORT #3	5603903	1
17	SPACER 2 WAY VALVE	46069	1

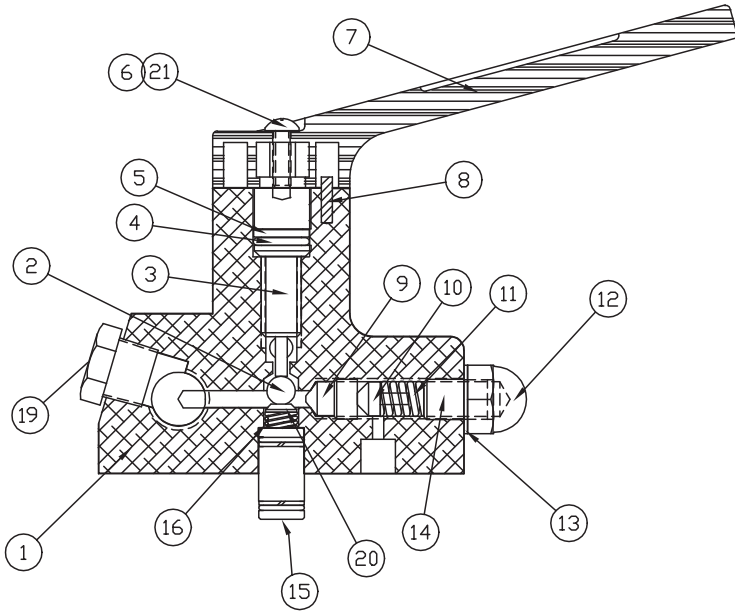
**NOTE:**

POSITION HANDLE SO THAT VALVE IS CLOSED IN POSITION SHOWN.

# G1 Series Electric Power Pump

# Valve Sub Assembly

## (69094SS) 2 WAY MANUAL



ITEM #	DESCRIPTION	PART#	
		2 WAY VAL.	QTY.
01	2 WAY VALVE	69092	1.00
02	BALL	91701	1.00
03	VALVE STEM	69095	1.00
04	O-RING	5602111	1.00
05	BACKUP WASHER	5608111	1.00
06	SCREW	44595	1.00
07	VALVE HANDLE	69091	1.00
08	ROLL PIN	93835	2.00
09	SEAT - EXT RELIEF	++	1.00
10	CONE - EXT RELIEF	++	1.00
11	SPRING - RELIEF VALVE	++	1.00
12	ACORN NUT	69105	1.00
13	WASHER	69124	1.00
14	ADJUSTING SCREW	69104	1.00
15	ADAPTER ASSY.	68963	1.00
16	SPRING	68384	1.00
NS	PIPE PLUG	84084	1.00
18	1/4 SOC PIPE PLUG	93950	1.00
19	HEX ST. PIPE PLUG	87145	1.00
20	SPRING CAP	69634	1.00
21	LOCKWASHER	Y0010765	1.00

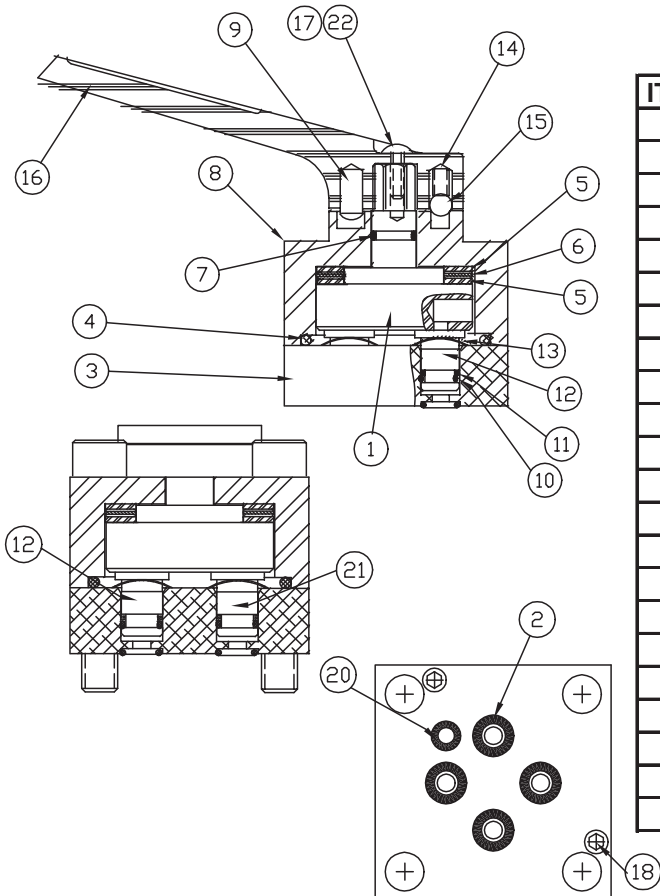
NS = NOT SHOWN

RELIEF REPLACEMENT KIT

(++ = COMPONENTS) -- PART #55057

## (69101SS) 4 WAY MANUAL

## (69691SS) 3 WAY MANUAL

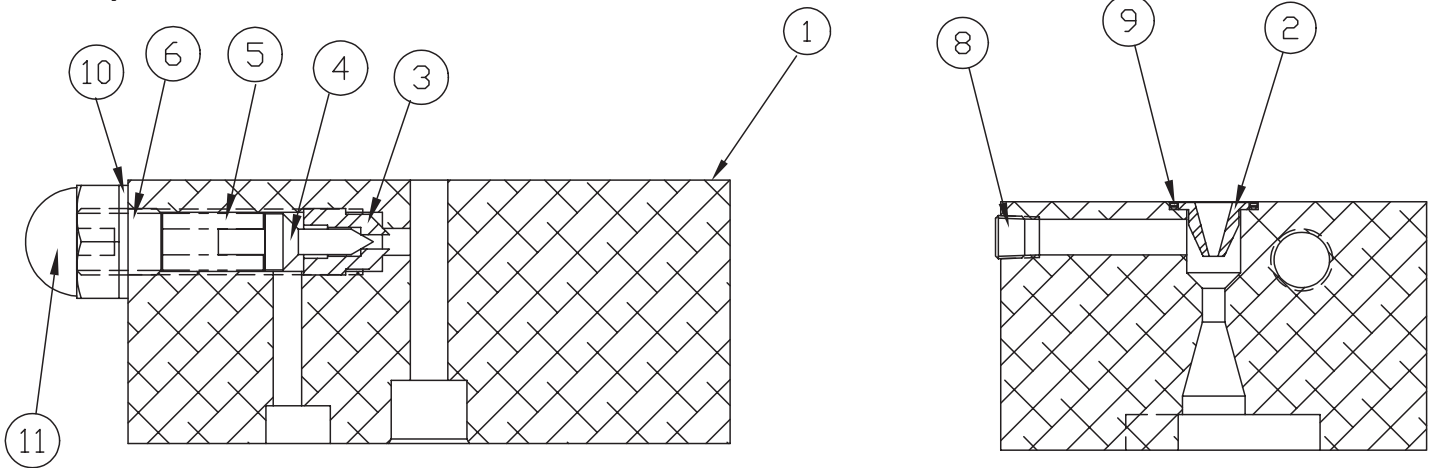


ITEM #	DESCRIPTION	-69691		-69101	
		3 WAY VAL	QTY.	4 WAY VAL	QTY.
01	VALVE ROTOR	43762	1.00	43762	1.00
2	O-RING	*	2.00	*	4.00
03	SUBPLATE- VALVE	68180	1.00	68180	1.00
04	O-RING	*	1.00	*	1.00
05	THRUST WASHER	68026	2.00	68026	2.00
06	THRUST BEARING	68155	1.00	68155	1.00
07	O-RING	*	1.00	*	1.00
08	UPPER VALVE BLOCK	69135	1.00	69135	1.00
09	DRIVE LOK PIN	93804	1.00	93804	1.00
10	O-RING	*	6.00	*	3.00
11	WASHER	*	4.00	*	3.00
12	SHEAR SEAL	68029	3.00	68029	1.00
13	SPRING WASHER	68028	4.00	68028	3.00
14	DETENT SPRING	68025	1.00	68025	1.00
15	BALL	92549	1.00	92549	1.00
16	VALVE HANDLE	69091	1.00	69091	1.00
17	SCREW	44595	1.00	44595	1.00
18	SCREW	85317	2.00	85317	2.00
NS	SCREW	93598	4.00	93598	4.00
20	O-RING	*	1.00	*	1.00
21	SHEAR SEAL	68181	1.00	68181	2.00
22	LOCKWASHER	Y0010765	1.00	Y0010765	1.00

# G1 Series Electric Power Pump

# Manifold Sub Assemblies

## (69570SS) 3 WAY STANDARD



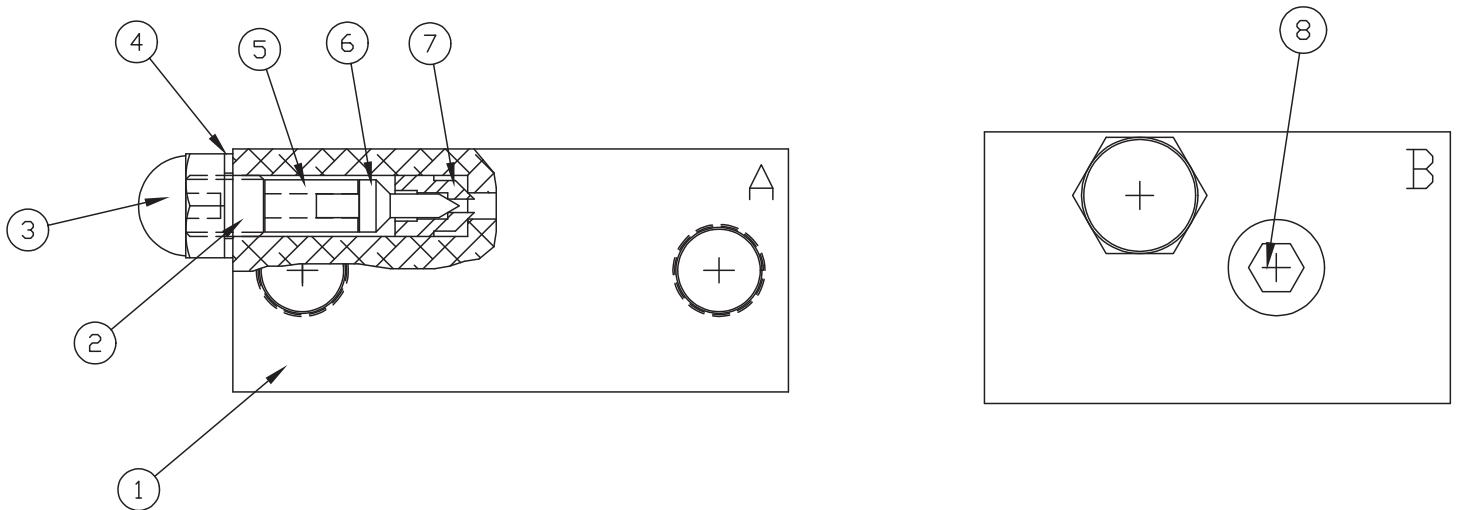
ITEM#	DESCRIPTION	PART#	
		3 WAY MAN. ASM	QTY.
01	RET. VALVE MANIFOLD	69569	1.00
02	NOZZLE-VALVE	68197	1.00
03	SEAT - EXT RELIEF	*	1.00
04	CONE - EXT RELIEF	*	1.00
05	SPRING - RELIEF VALVE	*	1.00
6	ADJUSTING SCREW	69104	1.00

ITEM#	DESCRIPTION	PART#	
		3 WAY MAN. ASM	QTY.
NS	PIPE PLUG	84084	3.00
08	PIPE PLUG-FLUSH	40049	2.00
09	O-RING	5602014	1.00
10	WASHER	69124	1.00
11	ACORN NUT	69105	1.00

NS = NOT SHOWN

RELIEF REPLACEMENT KIT (\* = COMPONENTS) -- PART # 55057

## (69100SS) 4 WAY STANDARD



ITEM#	DESCRIPTION	PART#	
		4 WAY MAN. ASM	QTY.
01	VALVE MANIFOLD	69099	1.00
02	ADJUSTING SCREW	69104	1.00
03	ACORN NUT	69105	1.00
4	WASHER	69124	1.00

ITEM#	DESCRIPTION	PART#	
		4 WAY MAN. ASM	QTY.
05	SPRING - RELIEF VALVE	*	1.00
06	CONE - EXT RELIEF	*	1.00
07	SEAT - EXT RELIEF	*	1.00
08	PIPE PLUG	84084	2.00

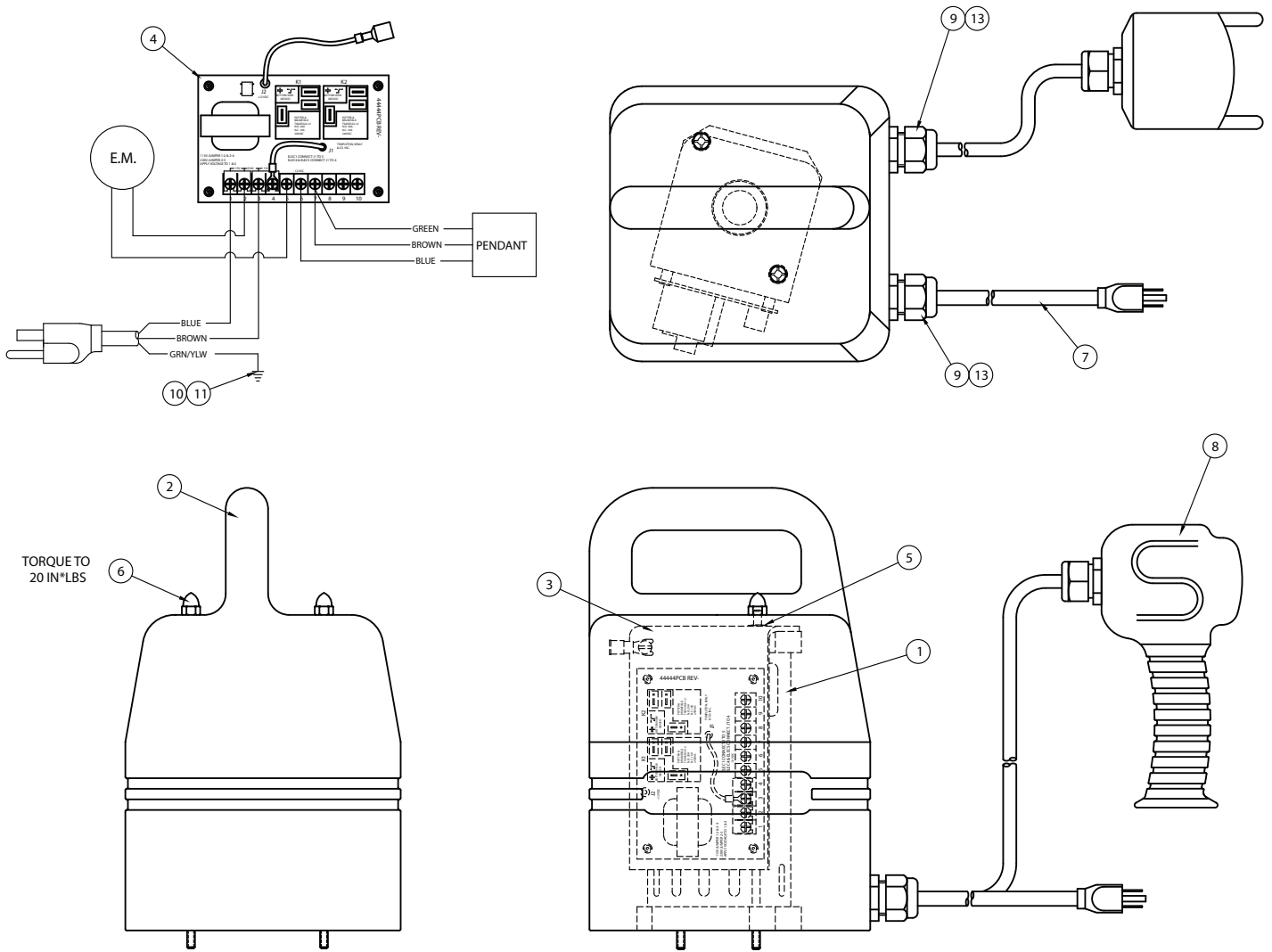
RELIEF REPLACEMENT KIT (\* = COMPONENTS) -- PART # 55057



# G1 Series Electric Power Pump

DS1225900SS (115V. ASSEMBLY)

# Shroud Assembly

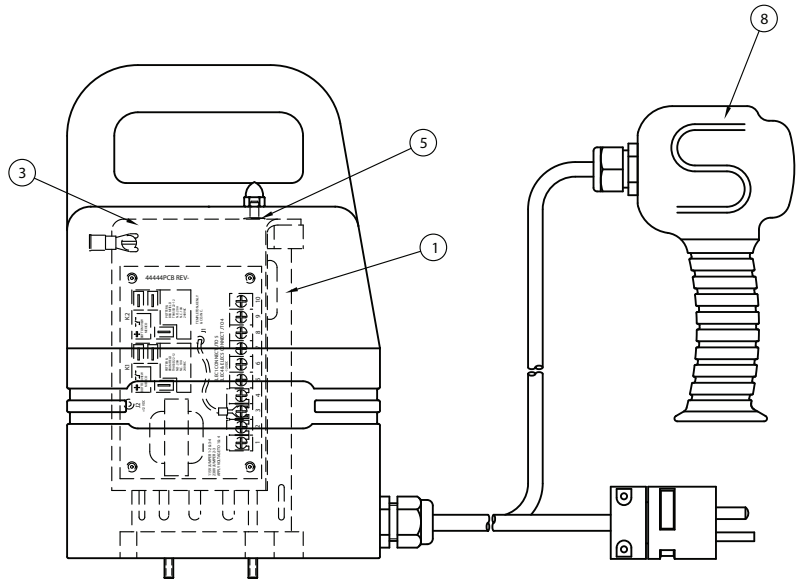
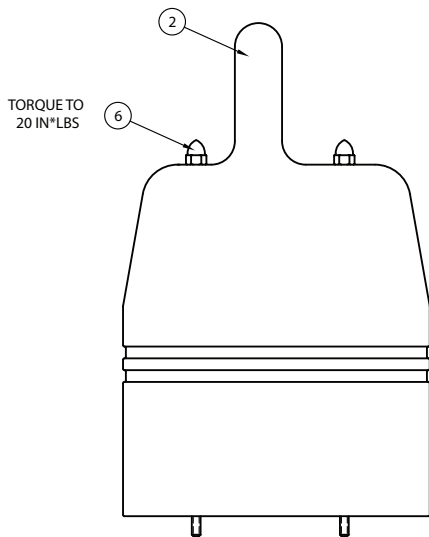
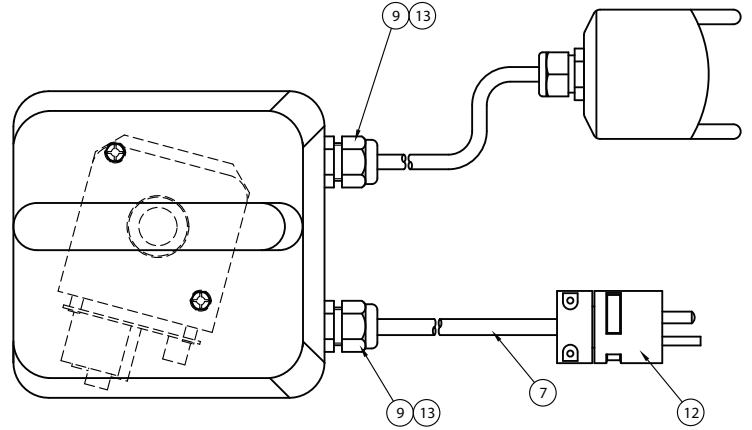
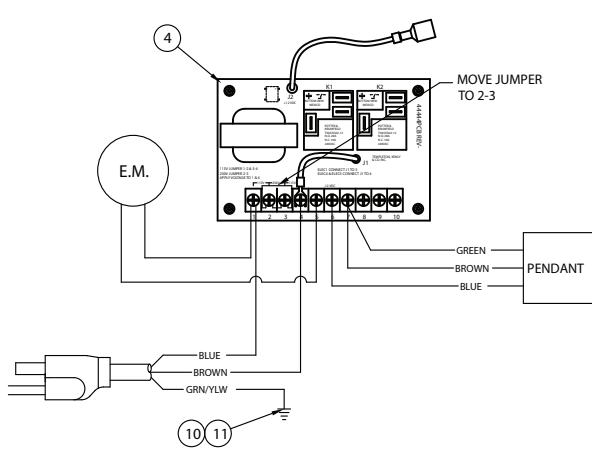


ITEM #	DESCRIPTION	PART #	QTY
1	POW""R BUD MOTOR 115V	43516	1
2	POWR BUDDY SHROUD	43519	1
3	POW""R BUD BRACKET	43546	1
4	CIRCUIT BOARD ASM 12 VDC	44444	1
5	PUSH NUT BOLT RET#10	44911	2
6	ACORN NUT 10-32 PLTD	43558	2
7	PLUG AND CORD 16-3 IEC	43562	1
8	DUMP PENDANT	43563SS	1
9	STRAIN RELIEF	68375	6
10	SPADE, TERMINAL	65887	1
11	SCREW, FILL HD MACH	98250	1
13	LOCKNUT	85510	2

# G1 Series Electric Power Pump

DS1226900SS (230V. ASSEMBLY)

# Shroud Assembly



ITEM #	DESCRIPTION	PART #	QTY
1	POW""R BUD MOTOR 230V	44542	1
2	POWR BUDDY SHROUD	43519	1
3	POW""R BUD BRACKET	43546	1
4	CIRCUIT BOARD ASM 12 VDC	44444	1
5	PUSH NUT BOLT RET#10	44911	2
6	ACORN NUT 10-32 PLTD	43558	2
7	CORD AWG16 300V	68469R	7
8	DUMP PENDANT	43563SS	1
9	STRAIN RELIEF	68375	6
10	SPADE, TERMINAL	65887	1
11	SCREW, FILL HD MACH	98250	1
12	PLUG 20 AMP 250V	87903	1
13	LOCKNUT	85510	2