



777 OAKMONT LANE, SUITE 800 WESTMONT, IL 60559  
1.800.323.9114 • Outside U.S. 1.708.865.1500  
www.tksimplex.com

# G3 SERIES ELECTRIC POWER PUMP

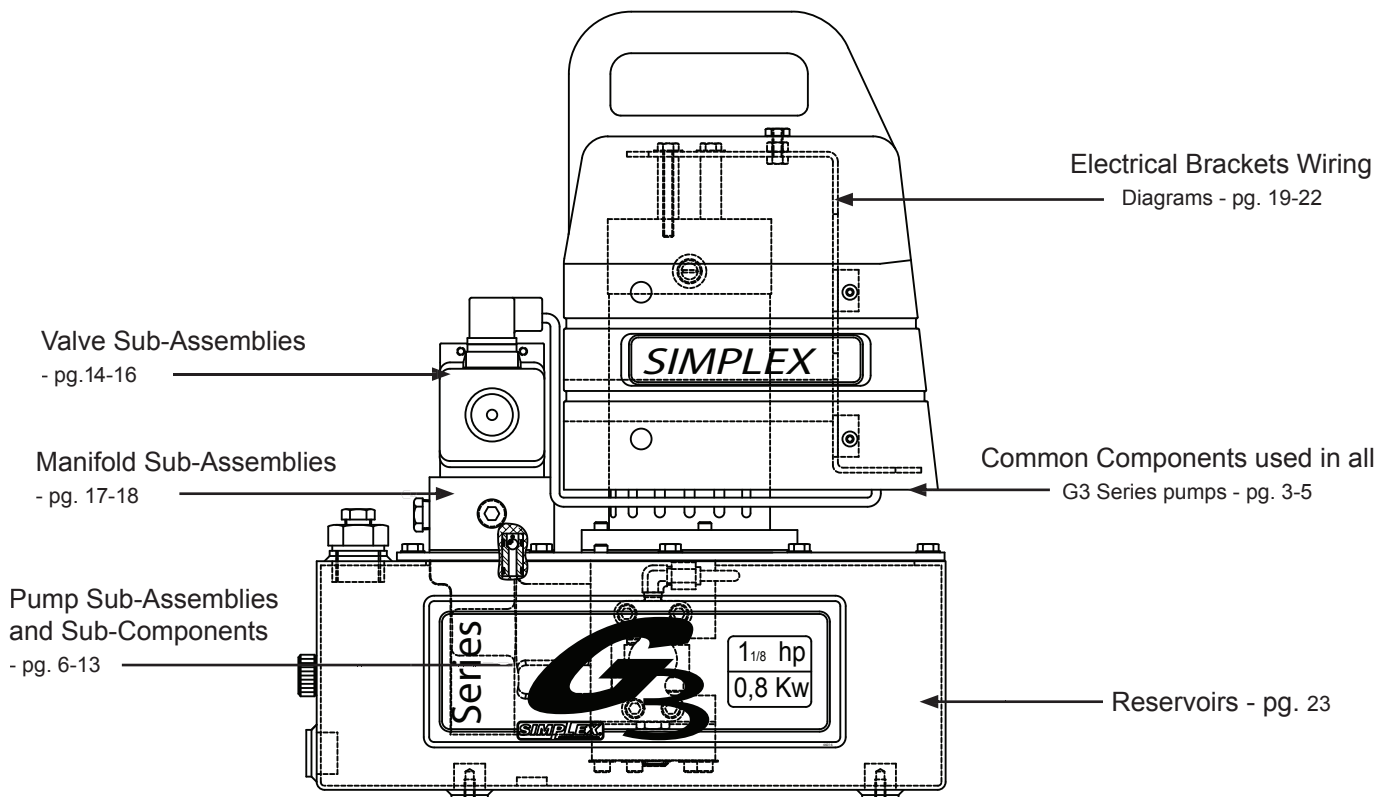
PARTS IDENTIFICATION MANUAL

Reference # - TD055

Rev. - D

Date - 1/14

*This illustration is for reference purposes only. The appearance of your unit may differ from the unit shown.*



# G3 Series Electric Power Pump

# How to Identify Parts for Your Model.

## MODEL MATRIX

Understanding our model number configurations:

	PUMP CLASS		PUMP TYPE			OPTION 1	OPTION 2	OPTION 3
Sample Model #:	<b>G</b>	<b>3</b>	<b>1</b>	<b>4</b>	<b>3</b>	<b>L</b>	<b>M</b>	<b>R</b>
Description:	<b>Model</b> G = Gen II Pump	<b>Performance Series</b> 3 = 1.125 HP	<b>Power Consumption</b> 1 = 115 VAC 2 = 230 VAC	<b>Valve Function</b> 0 = Dump 1 = Dump 2 Way 2 = 2 Way Manual 3 = 3 Way Manual 4 = 4 Way Manual 5 = 2 Way Solenoid 6 = 3 Way Solenoid 7 = 4 Way Solenoid 8 = Port Block	<b>Reservoir Size</b> 0 = 1 Gal Plastic 1 = 1 Gal Metal 2 = 1.5 Gal 3 = 2.5 Gal 5 = 5 Gal	<b>Options</b> C = Caster Wheel Kit D = Dig. Pressure Gauge F = Foot Switch (motor) G = Gauge (intergrated)  L = Locking Style Manifold M = Motor Pendant O = Oil Filter P = Pressure Switch R = Roll Cage S = Foot Switch (valve)		

## MODEL NUMBER & DATE CODE LOCATION

For Example, the date code and serial number

J= **October**

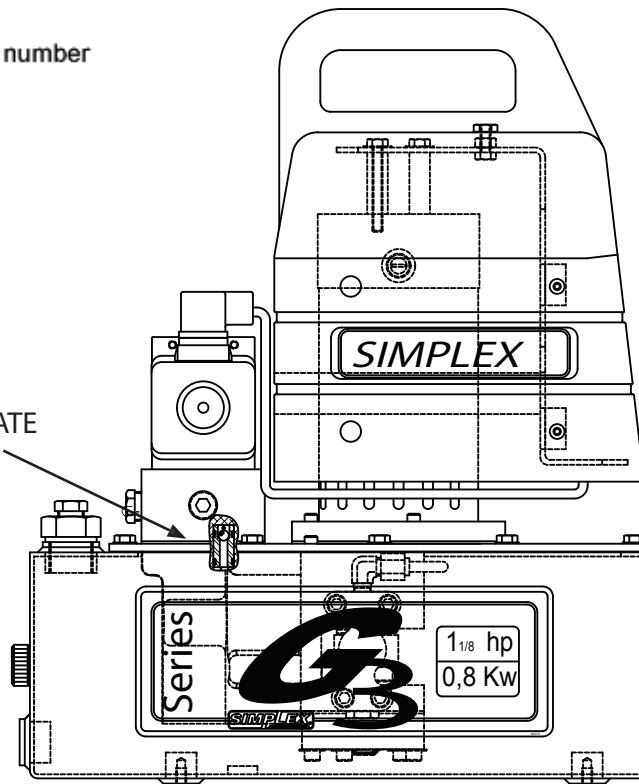
07 = **Year 2007**

42= **Week number in year**

**J 07 42**

A B C D E F G H I **J** K L  
1 2 3 4 5 6 7 8 9 **10** 11 12

DATE CODE COVER PLATE  
STAMPING LOCATION

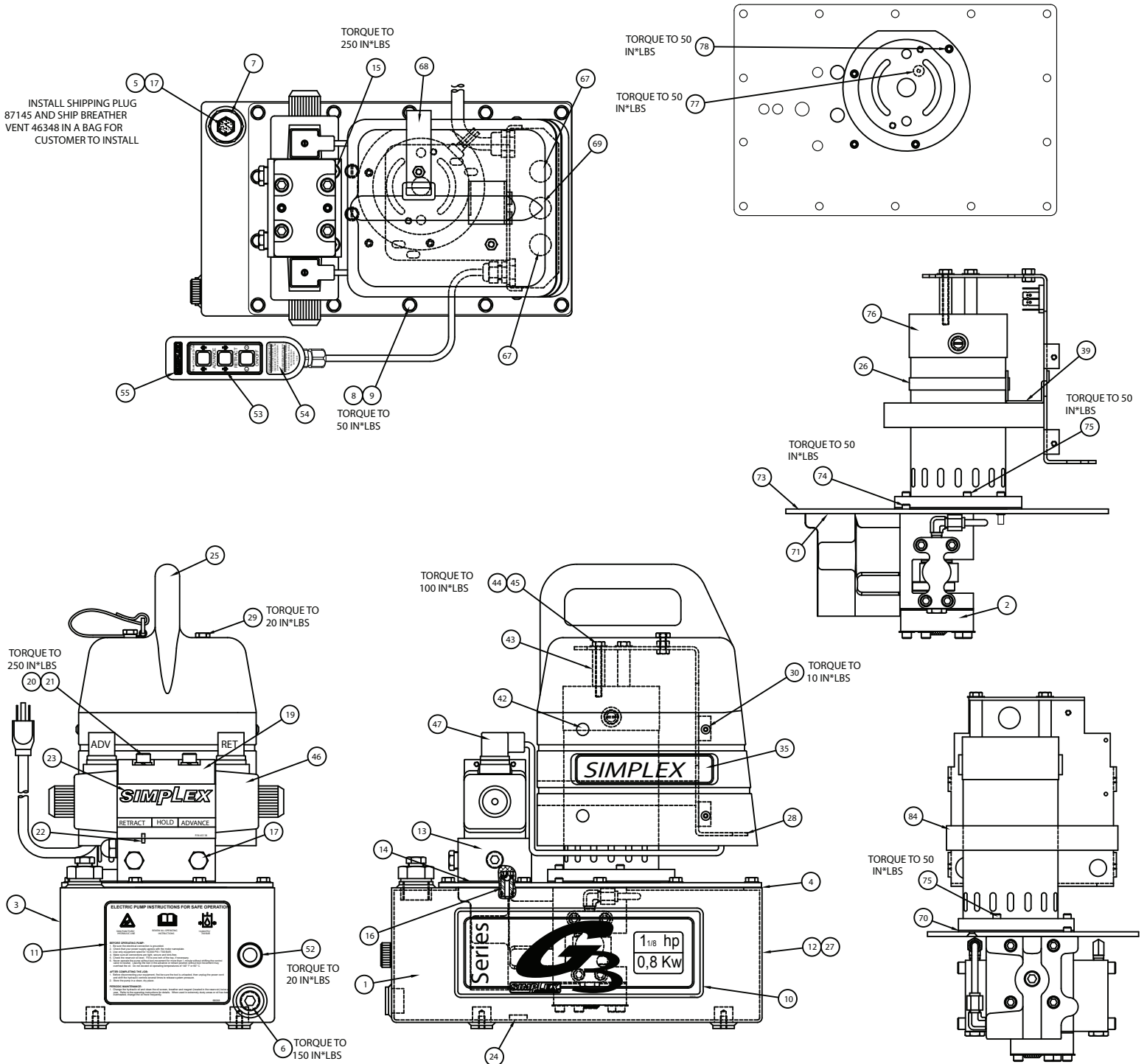


MODEL DECAL  
PLACEMENT

# G3 Series Electric Power Pump

# Common components used in pumps

NOTE: This illustration is for reference only. The appearance of your unit may differ from unit shown.



# G3 Series Electric Power Pump

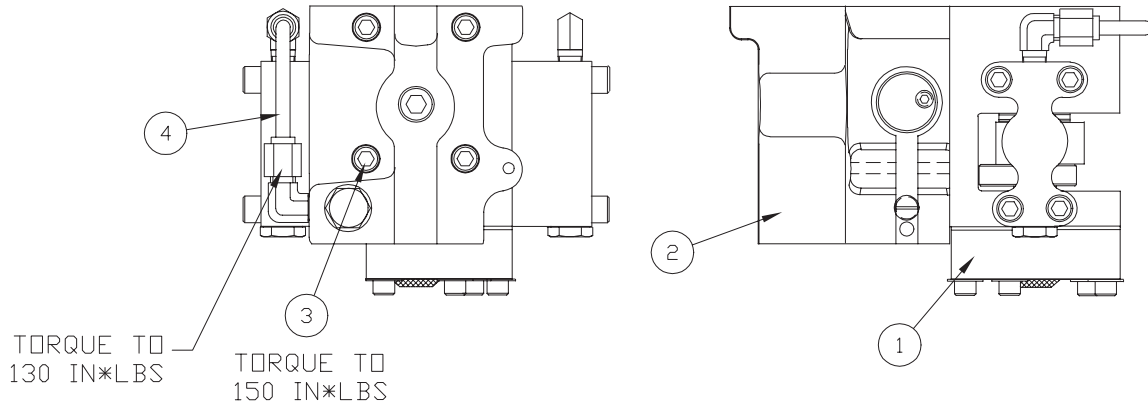
# Common components used in pumps

ITEM #	DESCRIPTION	115 V.	230 V.	QTY.	ITEM #	DESCRIPTION	115 V.	230 V.	QTY.
2	PUMP ASSEMBLY	SEE PAGE 5		1.00	25	MOTOR SHROUD W/ HANDL	45534	45534	1.00
03	RESERVOIR BLACK	SEE PAGE 23		1.00	25	MOTOR SHROUD W/OUT HANDL	45862	45862	1.00
04	RESERVOIR GASKET	*	*	1.00	26	HOSE CLAMP	69235	69235	1.00
05	BREATHER VENT 3/8" NPT	46348	46348	1.00	27	DECAL OVERLAY	46539	46539	1.00
06	PIPE PLUG 1/4" W/ COATING	46510	46510	1.00	28	BRACKET ASSEMBLY	SEE PAGE 19-20		1.00
07	SAE #12 HEX PLUG WI PORT	46118	46118	1.00	29	HEAVY HEX JAM NUT 1/4-20	69234	69234	2.00
08	HHCS 1/4-20 X .75 PLT	65891	65891	14.00	30	BHCS 10-24 x 3/8 LG	69236	69236	4.00
09	SEALING WASHER	65892	65892	14.00	35	SIMPLEX DECAL 5.71" x 1.15"	46355	46355	2.00
10	G3 RESERVOIR DECAL	46016	46016	2.00	39	BRACKET SUPPORT G3	46338	46338	1.00
11	LABEL SAFE USE ELEC	68068	68068	1.00	41	PENDANT ASSEMBLY BASIC	46220	46220	1.00
12	BLANK DECAL 3 X 4	87305	87305	1.00	42	HOLE PLUG 1/4"	46405	46405	4.00
13	MANIFOLD ASM	SEE PAGE 17-18		1.00	43	SPACER 1.5" LONG	46010	46010	2.00
14	VALVE GASKET (DUMP)	44646	44646	1.00	44	HHCS 1/4-20 X 2.00	40970	40970	2.00
14	VALVE GASKET	69242	69242	1.00	45	WASHER 1/4" SS	88429	88429	2.00
14	VALVE GASKET (4WAY LOCK)	68251	68251	1.00	46	COIL 115V WITH DIN CONN (SOLENOID)	46294	46324	2.00
015	SHCS 3/8-16 X 2 1/4 (2WAY, 3WAY & 4WAY)	93598	93598	3.00	47	MOLDED DIN CONN W/ CORD (SOLENOID)	46327	46327	2.00
015	SHCS 3/8-16 X 2 3/4 (LOCK 3WAY/4WAY)	99921	99921	3.00	52	SIGHT GAUGE	46009	46009	1.00
015	SHCS 3/8-16 X 1 1/4 (DUMP VALVE)	93596	93596	2.00	53	MEMBRANE SWITCH LABEL	**		1.00
16	ADAPTER ASSY. (DUMP)	68963	68963	1.00	55	SIMPLEX DECAL 1.25" x 0.25"	**		1.00
16	VALVE ADAPTER W CHECK	69378	69378	1.00	67	PUSH THRU BUSHING	46420	46420	2.00
017	HEX PIPE PLG 3/8" (DUMP, 2WAY & 3WAY)	46513	46513	1.00	68	VELCRO STRAP 1x14	46310	46310	1.00
017	HEX PIPE PLG 3/8" W/ COAT (4 WAY)	46513	46513	2.00	69	HOLE PLUG 7/8"	69652	69652	1.00
018	SHCS 3/8-16 X 1.75 (DUMP VALVE)	84692	84692	1.00	73	COVER PLATE	SEE PAGE 23		1.00
19	VALVE ASM.	SEE PAGE 14-16		1.00	74	SHCS #10-24 X 5/8"	86699	86699	1.00
020	SHCS 3/8-16 X 3 1/2 (SOLENOID ONLY)	88363	88363	4.00	75	SHCS #10-24 X 1" LG	41327	41327	2.00
021	LOCKWASHER 3/8 PLATED (SOLENOID OR)	93943	93943	4.00	76	G3 MOTOR 1.5HP	45418	45428	1.00
022	ROLL PIN 1/8 X 3/8 LG (SOLENOID ONLY)	561604	561604	1.00	77	FHCS 10-24 X 0.50LG	43557	43557	1.00
023	RET VLV DECAL (3 WAY MANUAL)	68199	68199	1.00	78	SHCS #10-32 X .875	45084	45084	1.00
023	RET VLV DECAL (4 WAY MANUAL)	68069	68069	1.00	84	FOAM INSERT	46352	46352	1.00
023	RET VLV DECAL (3 WAY SOLENOID)	45120	45120	1.00	*	G3 REBUILD KIT	54487	54487	1.00
023	RET VLV DECAL (4 WAY SOLENOID)	45118	45118	1.00	**	PENDANT DECAL KIT	54489	54489	1.00
24	MAGNET	*	*	1.00					

# G3 Series Electric Power Pump

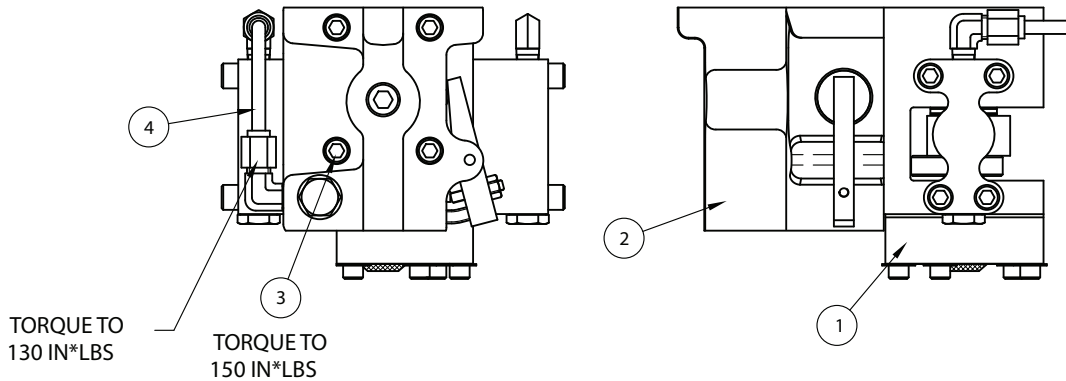
# Pump Assembly

## (46541SS) PUMP ASM.



ITEM #	DESCRIPTION	PART #	QTY.
01	GEAR SECTION ASSEMBLY	SEE PAGE 6-7	1.00
02	PUMP VALVE SECTION ASSEMBLY	SEE PAGE 12	1.00
03	SHCS 5/16-24 X 1" LG	84188	4.00
04	PISTON BLOCK TUBE G3	45537	1.00

## (46547SS) DUMP PUMP ASM.

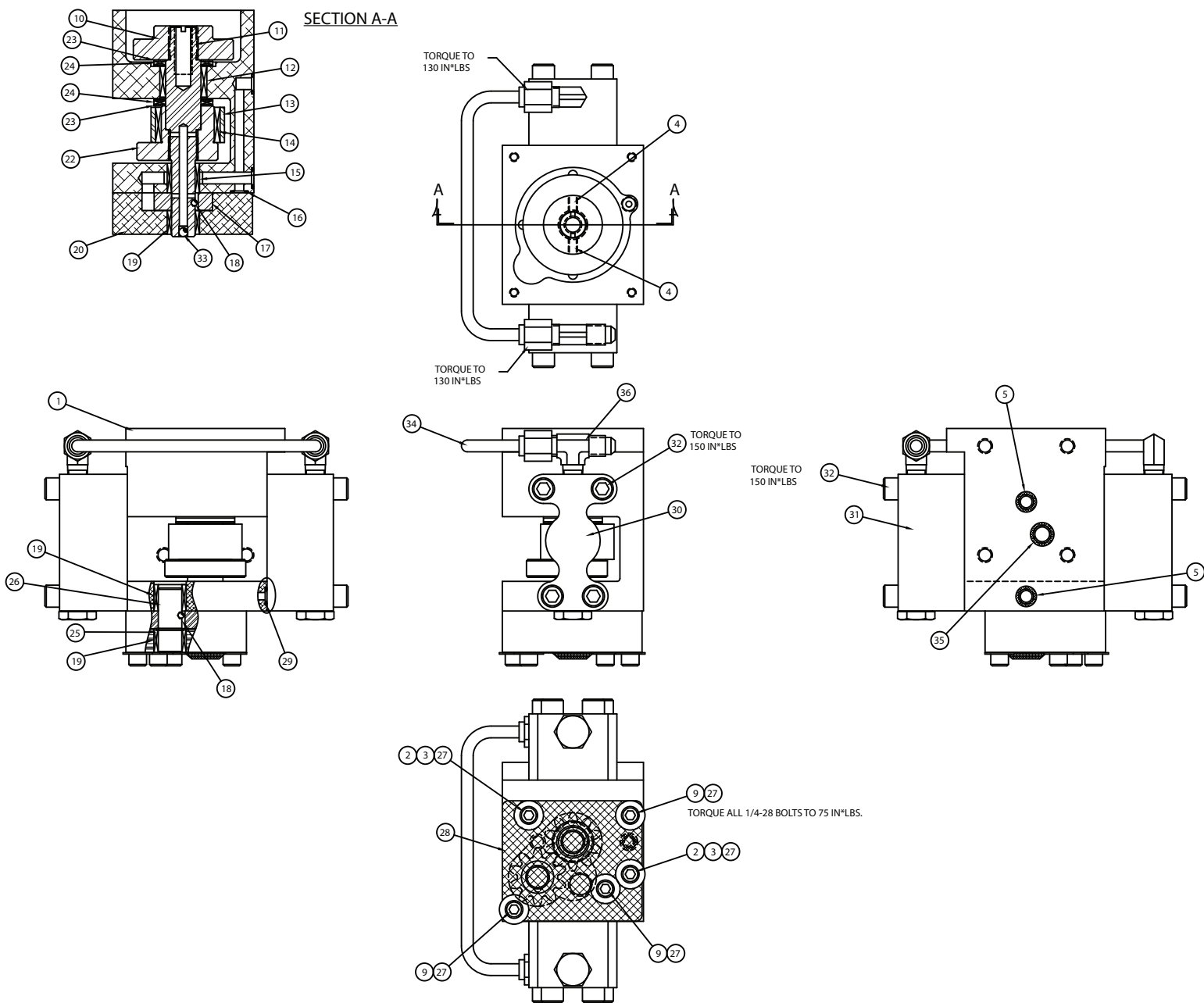


ITEM #	DESCRIPTION	PART #	QTY.
01	GEAR DUMP SECTION ASSEMBLY	SEE PAGE 8-9	1.00
02	DUMP PUMP ASSEMBLY	SEE PAGE 10-11	1.00
03	SHCS 5/16-24 X 1" LG	84188	4.00
04	PISTON BLOCK TUBE G3	45537	1.00

# G3 Series Electric Power Pump

# Gear Section Assembly

**(45535SS) GEAR SECTION ASM.**



# G3 Series Electric Power Pump

# Gear Section Assembly

**(45535SS) GEAR SECTION ASM.**

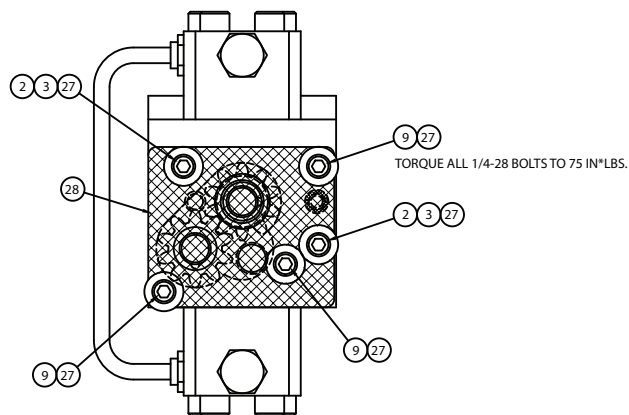
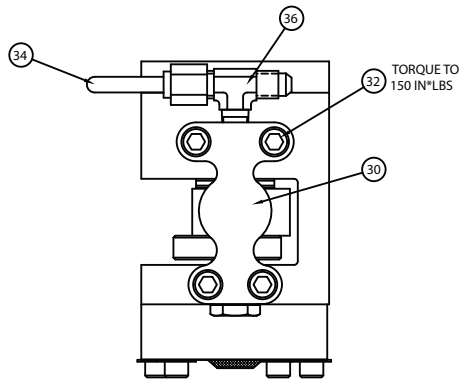
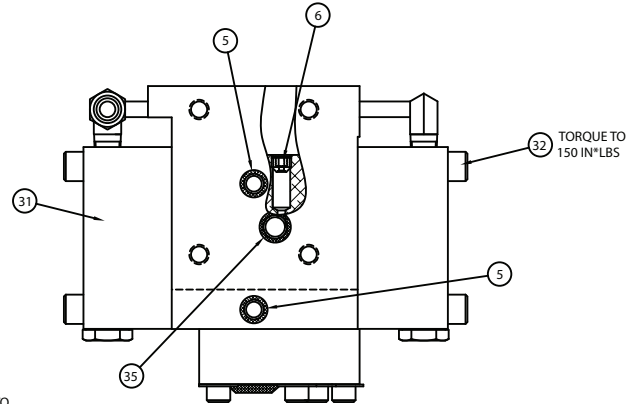
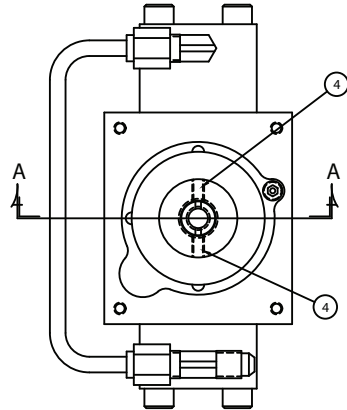
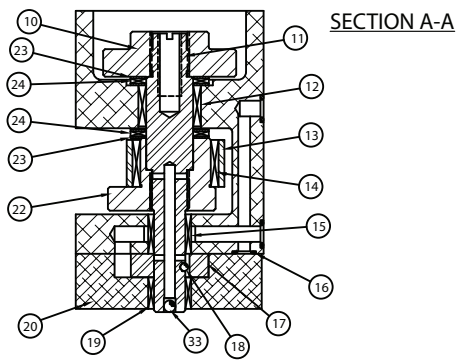
ITEM #	DESCRIPTION	PART #	QTY.
01	G3 PUMP BODY 2 PISTON	45419	1.00
02	TUBE-GUIDE .11	68894	2.00
03	SHCS 1/4-28 X 1 1/2	89148	2.00
04	SET SCREW #10-24 X 1/4 CUP	44596	2.00
05	O-RING 5/16X7/16	*	2.00
09	SHCS 1/4-28 X 1.25LG	40118	3.00
10	POW'R BUD REDUC GEAR	43520	1.00
11	POW'R BUDDY PUMP SHAFT	43278	1.00
12	ROLL BRG 3/4ID X 5/8	43346	1.00
13	POW'R BUD ECC RING	43353	1.00
14	ROLL BRG 1 1/8 X 3/4	43347	1.00
15	BEARING ROLLER 1/2x11/16x1/2 WIDE	68891	1.00
16	O RING 1/4X3/8	*	1.00
17	GEAR-SET G3	DS1246228	1.00
18	BALL 1/8"	90906	2.00
19	BEARING ROLLER 1/2x11/16x1/2 WIDE	69330	3.00
20	BOTTOM PLATE 3/8" GEARS G3	45536	1.00
22	POW'R BUDDY ECCENCTRIC RING	43275	1.00
23	THRUST WASHER 3/4"ID	43349	4.00
24	THRUST BRG 3/4" ID	43348	2.00
25	POW'R BUDDY IDLER SHAFT	43276	1.00
26	RING-RETAINING	68892	1.00
27	WASHER 1/4" SS	88429	5.00
28	POW'R BUDDY SCREEN	*	1.00
29	O-RING 3/16X5/16	*	2.00
30	PISTON BLOCK ASSEMBLY #1 G3	SEE PAGE 13	1.00
31	PISTON BLOCK ASSEMBLY G3	SEE PAGE 13	1.00
32	SHCS 5/16-24 X 1.75	69392	8.00
33	BALL 3/16"	90548	1.00
34	G3 PISTON BLOCK TUBE	45420	1.00
35	O-RING 3/8X1/2	*	1.00
36	MALE TEE	45426	1.00

G 3 REBUILD KIT (\* = COMPONENTS) -- PART # 54487

# G3 Series Electric Power Pump

# Pump Assembly

**(46453SS)** GEAR DUMP SECTION ASSEMBLY.





# G3 Series Electric Power Pump

# Pump Assembly

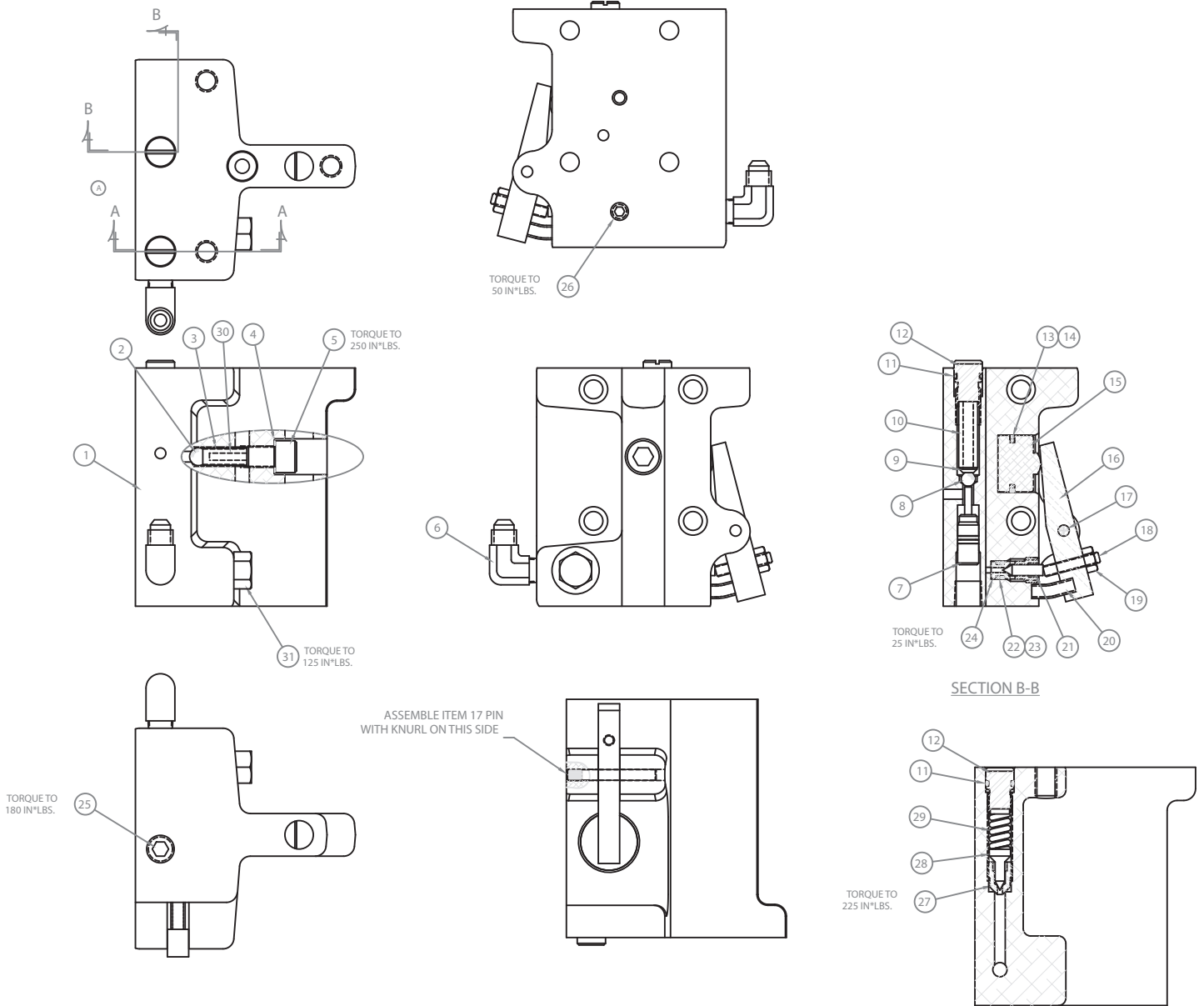
**(46453SS)** GEAR DUMP SECTION ASSEMBLY.

ITEM #	DESCRIPTION	PART #	QTY
1	G3 PUMP BODY 2 PISTON	45419	1
2	TUBE-GUIDE .11	68894	2
3	SHCS 1/4-28 X 1 1/2	89148	2
4	SET SCREW #10-24 X 1/4 CUP	44596	2
5	O-RING 5/16X7/16	*	2
6	ORIFICE G3 DUMP PUMP	46457	1
9	SHCS 1/4-28 X 1.25LG	40118	3
10	REDUCING GEAR	43520	1
11	POW"R BUDDY PUMP SHAFT	43278	1
12	ROLL BRG 3/4ID X 5/8	43346	1
13	POW"R BUD ECC RING	43353	1
14	ROLL BRG 1 1/8 X 3/4	43347	1
15	BEARING ROLLER 1/2x11/16x1/	68891	1
16	O RING 1/4X3/8	*	1
18	BALL 1/8"	90906	2
19	BEARING ROLLER 1/2x11/16x1/	69330	3
20	BOTTOM PLATE 3/8" GEARS G3	45536	1
22	POW"R BUDDY ECCENCTRIC RIN	43275	1
23	THRUST WASHER 3/4"ID	43349	4
24	THRUST BRG 3/4" ID	43348	2
25	POW"R BUDDY IDLER SHAFT	43276	1
26	RING-RETAINING	68892	1
27	WASHER 1/4" SS	88429	5
28	POW"R BUDDY SCREEN	*	1
29	O-RING 3/16X5/16	*	2
30	PISTON BLOCK ASM G-SERIES 0	PAGE 13	1
31	PISTON BLOCK ASSEMBLY G3	PAGE 13	1
32	SOCKET HEAD CAPSCREW	69392	8
33	BALL 3/16"	90548	1
34	G3 PISTON BLOCK TUBE	45420	1
35	O-RING 3/8X1/2	*	1
36	MALE TEE 1/8 PIPE TO 1/4 TU	45426	1
*	G3 REBUILD KIT	54487	1

# G3 Series Electric Power Pump

# Pump Sub Assembly

**(43543SS) PUMP SUB ASM. (DUMP PUMPS)**



# G3 Series Electric Power Pump

# Pump Sub Assembly

## (43543SS) PUMP SUB ASM. (DUMP PUMPS)

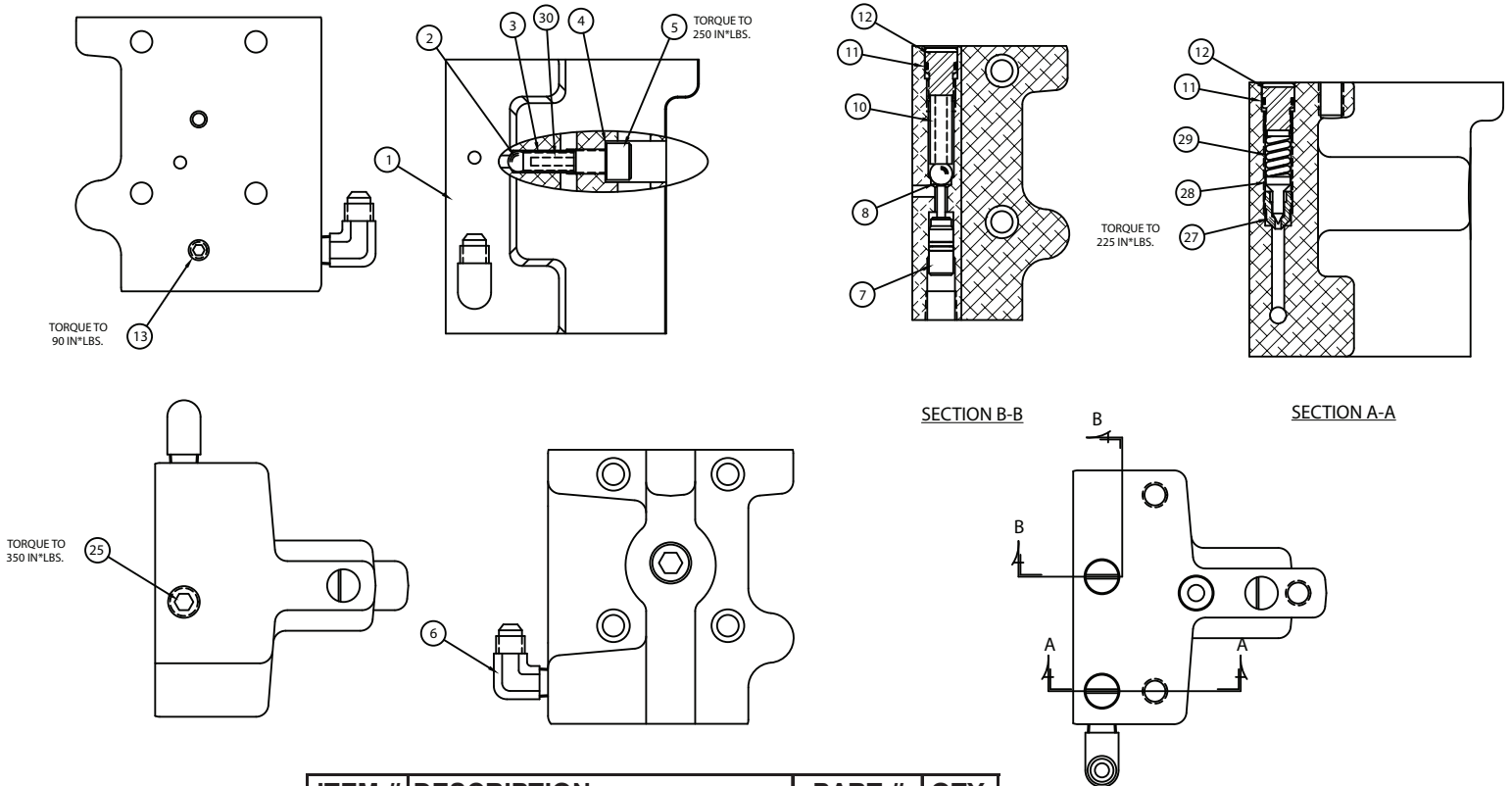
ITEM #	DESCRIPTION	PART #	QTY
1	PB VALVE BODY SECT.	43269	1
2	BALL 5/16"	91701	1
3	SPRING	68225	1
4	GASKET 25/64X19/32	*	1
5	SCREW, BALL STOP	68226	1
6	MALE ELBOW 1/8 PIPE	69354	1
7	UNLOADING PISTON ASM	PAGE 13	1
8	BALL 1/4"	92549	1
9	POW'R BUDDY SPRING CAP	43277	1
10	SPRING UNLOADING VLV	68981	1
11	O-RING 3/8X1/2	*	2
12	POW'R BUDDY ADJUSTING SCRE	43274	2
13	O-RING 11/16X13/16	5602017	1
14	SEAL	68497	1
15	DUMP PISTON	69321	1
16	LEVER-DUMP	68494	1
17	POW'R BUD DUMP PIN	43344	1
18	SET SCREW #10-32 X 1.0 OVAL	68543	1
19	NUT- 10-32 SELF LOCKING	5757040	1
20	SPRING	68498	1
21	CONE, DUMP	68491	1
22	O-RING 3/16X5/16	5602008	1
23	BACKUP WASHER	56080087	1
24	SEAT, INSERT	68482	1
25	1/4 SOC PIPE PLUG	93950	1
26	1/16 FLUSH PLUG W/ SEALANT	46514	1
27	SEAT - EXT RELIEF	++	1
28	CONE - EXT RELIEF	++	1
29	SPRING - RELIEF VALVE	++	1
30	ROLL PIN 1/8 x 15/16	81332	1
31	PLUG SAE #4	68258	1

G 3 REBUILD KIT (\* = COMPONENTS) -- PART # 54487  
 RELEIF REPLACEMENT KIT ( ++ = COMPONENTS) -- PART #55057

# G3 Series Electric Power Pump

# Pump Valve Section Assembly

## (46025SS) PUMP VALVE SECT ASM.



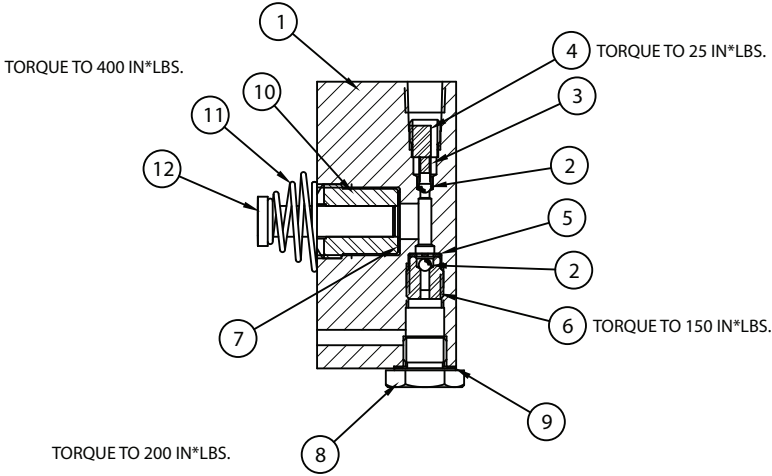
ITEM #	DESCRIPTION	PART #	QTY.
01	PB VALVE BODY SECT.	46593	1.00
02	BALL 5/16"	91701	1.00
03	SPRING	68825	1.00
04	GASKET 25/64X19/32	*	1.00
05	SCREW, BALL STOP	68226	1.00
06	MALE ELBOW 1/8 PIPE	69354	1.00
07	UNLOADING PISTON ASM	PAGE 13	1.00
08	BALL 11/32"	94219	1.00
10	SPRING UNLOADING VLV	68981	1.00
11	O-RING 3/8X1/2	*	2.00
12	ADJUSTING SCREW	43274	2.00
13	1/16 SOC PIPE PLUG	46514	2.00
25	1/4 SOC PIPE PLUG	46510	1.00
27	SEAT - EXT RELIEF	++	1.00
28	CONE - EXT RELIEF	++	1.00
29	SPRING - RELIEF VALVE	++	1.00
30	ROLL PIN 1/8X15/16	81332	1.00

G 3 REBUILD KIT (\* = COMPONENTS) -- PART # 54487  
 RELEIF REPLACEMENT KIT ( ++ = COMPONENTS) -- PART #55057

# G3 Series Electric Power Pump

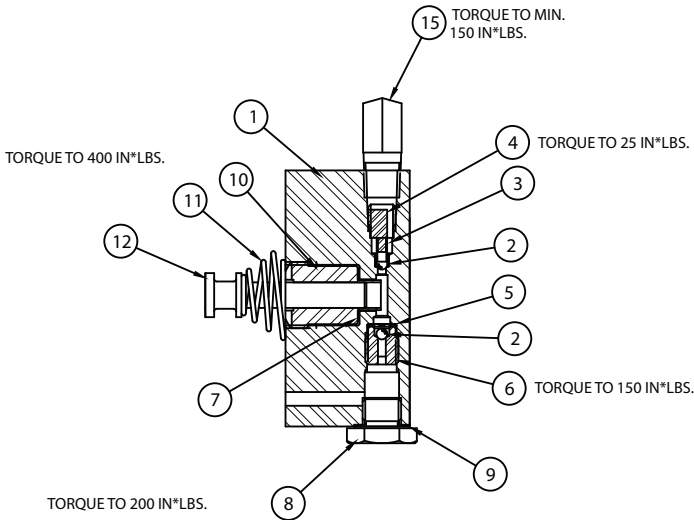
# Sub Component Assemblies

## (45533SS) PISTON BLK ASM.



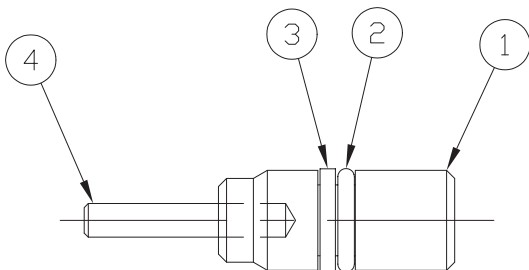
ITEM #	DESCRIPTION	PART #	QTY.
01	GEN II PISTON BLOCK	45539	1.00
02	BALL 1/8"	90906	2.00
03	SPRING	66042	1.00
04	BALL STOP	68810	1.00
05	BALL RETAINER	66043	1.00
06	INTAKE SEAT	66046	1.00
07	GASKET 29/64 X 5/8	*	1.00
08	PLUG PISTON BLOCK	68825	1.00
09	GASKET 25/64X19/32	*	1.00
10	ADAPTER-.290 PISTON	68820	1.00
11	SPRING, PISTON	68340	1.00
12	PISTON-.290 DIA	68819	1.00

## (45538SS) PISTON BLK ASM.



ITEM #	DESCRIPTION	PART #	QTY.
01	PISTON BLOCK	45539	1.00
02	BALL 1/8"	90906	2.00
03	SPRING	66042	1.00
04	BALL STOP	68810	1.00
05	BALL RETAINER	66043	1.00
06	INTAKE SEAT	66046	1.00
07	GASKET 29/64 X 5/8	*	1.00
08	PLUG PISTON BLOCK	68825	1.00
09	GASKET 25/64X19/32	*	1.00
10	ADAPTER-.290 PISTON	68820	1.00
11	SPRING, PISTON	68340	1.00
12	PISTON 0.290" DIA.	45425	1.00
13	MALE ELBOW 1/8 PIPE	69354	1.00

## (43687SS) UNLOADING PISTON ASM.



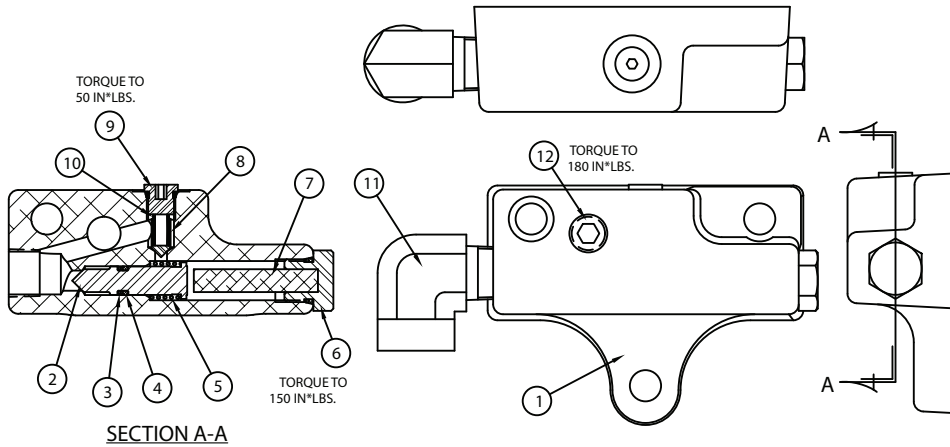
ITEM #	DESCRIPTION	PART #	QTY.
01	UNLOAD PISTON	68209	1.00
02	O RING 1/4X3/8	*	1.00
03	BACK-UP WASHER	68145	1.00
04	DOWEL PIN 1/8X3/4 LG	43686	1.00

G 3 REBUILD KIT ( \* = COMPONENTS ) -- PART # 54487

# G3 Series Electric Power Pump

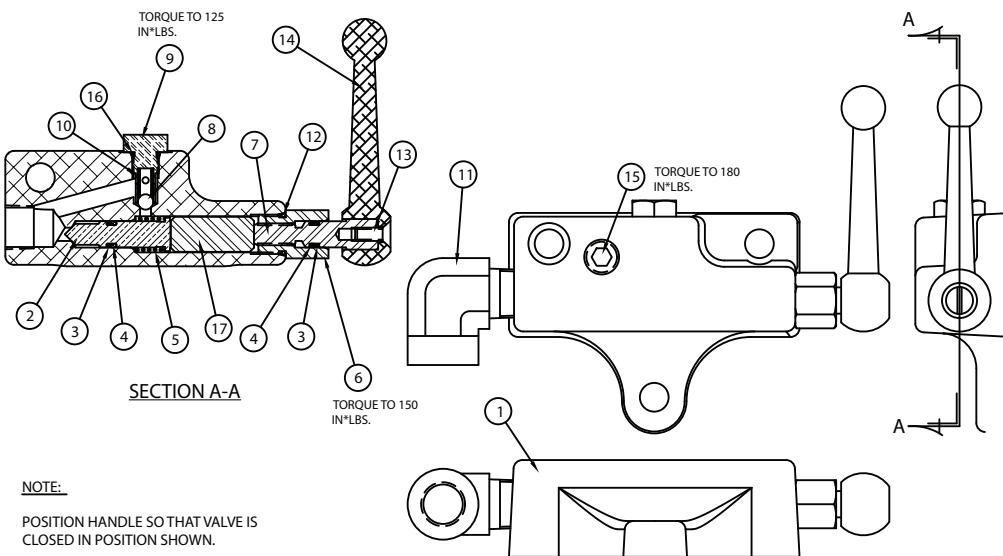
# Valve Assembly

PART#43540SS (DUMP ASM)



ITEM #	DESCRIPTION	PART #	QTY.
1	DUMP VALVE FINISHED	43536P	1
2	DUMP VALVE PISTON	43537	1
3	BACKUP WASH TEF -010	43927	1
4	O RING 1/4X3/8	5602010	1
5	COMPRESSION SPRING	68871	1
6	PLUG SAE #6 PORT	68115	1
7	DUMP VALVE SPACER	43539	1
8	DUMP VALVE CONE 2 WY	44740	1
9	SAE #3 SOC. PLUG	43564	1
10	DUMP VALVE SPRING	43541	1
11	F9 ELBOW 3/8 90 DEGR STRT	18109	1
12	PIPE PLUG	46510	1

PART#43567SS (2 WAY DUMP ASM)



ITEM #	DESCRIPTION	PART #	QTY.
1	DUMP VALVE FINISHED	43536P	1
2	DUMP VALVE PISTON	43537	1
3	BACKUP WASH TEF -010	43927	2
4	O RING 1/4X3/8	5602010	2
5	COMPRESSION SPRING	68871	1
6	ADAPTER	68910	1
7	VALVE STEM 2 WAY	68911	1
8	BALL 7/32DIA.	96006	1
9	DUMP VALVE PLUG	46067	1
10	SPRING 2 WAY VALVE	46068	1
11	F9 ELBOW 3/8 90 DEGR STRT	18109	1
12	O-RING SAE PORT #6	5603906	1
13	FHMS 10-32X.50LG	97156	1
14	LEVER	P6012	1
15	PIPE PLUG	46510	1
16	O-RING SAE PORT #3	5603903	1
17	SPACER 2 WAY VALVE	46069	1

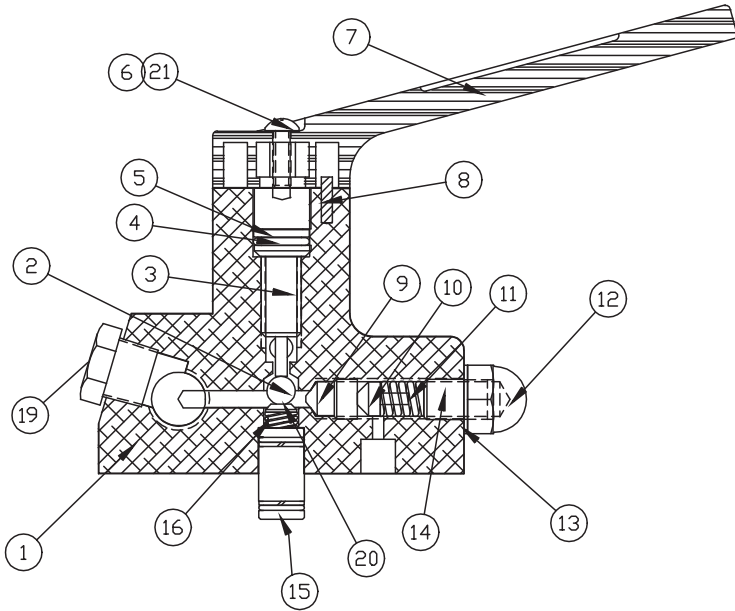
**NOTE:**

POSITION HANDLE SO THAT VALVE IS CLOSED IN POSITION SHOWN.

# G3 Series Electric Power Pump

# Valve Sub Assembly

## (69094SS) 2 WAY MANUAL

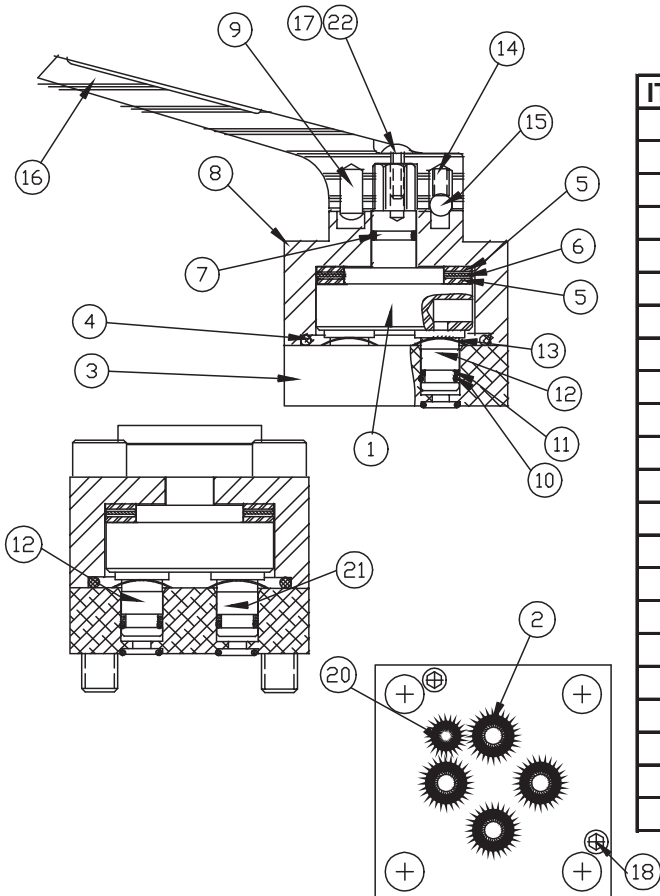


ITEM #	DESCRIPTION	PART#	
		2 WAY VAL.	QTY.
01	2 WAY VALVE	69092	1.00
02	BALL	91701	1.00
03	VALVE STEM	69095	1.00
04	O-RING	5602111	1.00
05	BACKUP WASHER	5608111	1.00
06	SCREW	44595	1.00
07	VALVE HANDLE	69091	1.00
08	ROLL PIN	93835	2.00
09	SEAT - EXT RELIEF	++	1.00
10	CONE - EXT RELIEF	++	1.00
11	SPRING - RELIEF VALVE	++	1.00
12	ACORN NUT	69105	1.00
13	WASHER	69124	1.00
14	ADJUSTING SCREW	69104	1.00
15	ADAPTER ASSY.	68963	1.00
16	SPRING	68384	1.00
NS	PIPE PLUG	84084	1.00
18	1/4 SOC PIPE PLUG	93950	1.00
19	HEX ST. PIPE PLUG	87145	1.00
20	SPRING CAP	69634	1.00
21	LOCKWASHER	Y0010765	1.00

NS = NOT SHOWN  
RELIEF REPLACEMENT KIT  
(++ = COMPONENTS) -- PART #55057

## (69101SS) 4 WAY MANUAL

## (69691SS) 3 WAY MANUAL



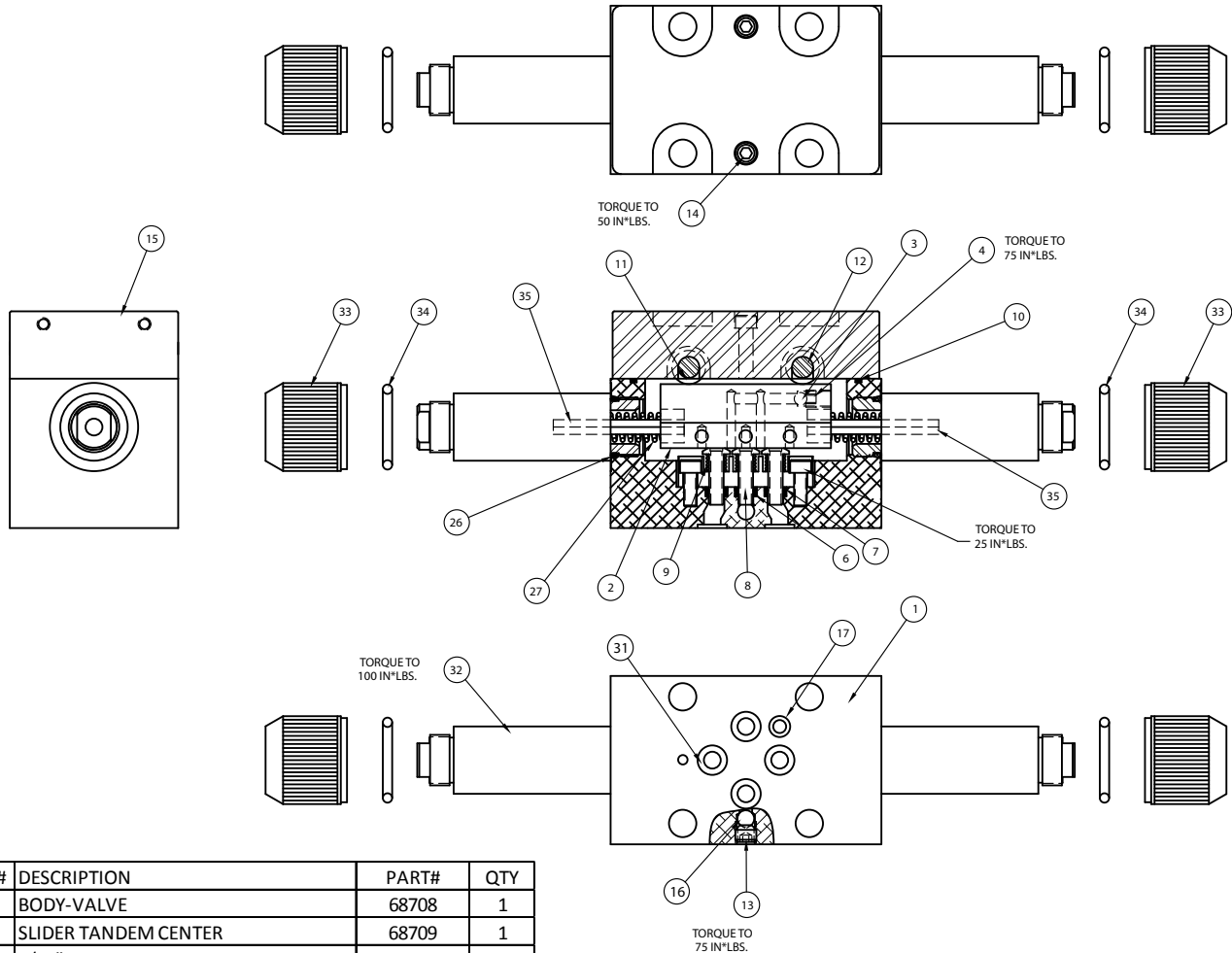
ITEM #	DESCRIPTION	-69691		-69101	
		3 WAY VAL	QTY.	4 WAY VAL	QTY.
01	VALVE ROTOR	43762	1.00	43762	1.00
2	O-RING	*	2.00	*	4.00
03	SUBPLATE- VALVE	68180	1.00	68180	1.00
04	O-RING	*	1.00	*	1.00
05	THRUST WASHER	68026	2.00	68026	2.00
06	THRUST BEARING	68155	1.00	68155	1.00
07	O-RING	*	1.00	*	1.00
08	UPPER VALVE BLOCK	69135	1.00	69135	1.00
09	DRIVE LOK PIN	93804	1.00	93804	1.00
10	O-RING	*	6.00	*	3.00
11	WASHER	*	4.00	*	3.00
12	SHEAR SEAL	68029	3.00	68029	1.00
13	SPRING WASHER	68028	4.00	68028	3.00
14	DETENT SPRING	68025	1.00	68025	1.00
15	BALL	92549	1.00	92549	1.00
16	VALVE HANDLE	69091	1.00	69091	1.00
17	SCREW	44595	1.00	44595	1.00
18	SCREW	85317	2.00	85317	2.00
NS	SCREW	93598	4.00	93598	4.00
20	O-RING	*	1.00	*	1.00
21	SHEAR SEAL	68181	1.00	68181	2.00
22	LOCKWASHER	Y0010765	1.00	Y0010765	1.00

PACKING KIT 3 & 4 WAY MANUAL VALVE  
(\* = COMPONENTS) -- PART # 54490

# G3 Series Electric Power Pump

# Valve Sub Assemblies

## (46285SS) 4 WAY SOLENOID VALVE



ITEM #	DESCRIPTION	PART#	QTY
1	BODY-VALVE	68708	1
2	SLIDER TANDEM CENTER	68709	1
3	3/16" DIA. BALL REF WM581649	90548	1
4	SET SCREW 1/4-28 X 1/4 CUP	40254	1
6	O RING REF M792041	*	3
7	BACK UP WASHER	*	3
8	SHEAR SEAL	68383	3
9	SPRING	68384	3
10	O-RING 2 5/8 X 2 3/4	*	1
11	BEARING ROLLER 5/16x1/2x5/16 WIDE	68385	4
12	PIN BEARING	68390	2
13	SET SCREW 5/16-18 X 1/4 CUP	94418	1
14	SHCS #10-32 X 1" LG PLATED	68264	2
15	VALVE TOP PLATE MACHINED	46272	1
16	1/4" DIA. BALL	92549	1
17	O-RING (.19x.31x.06)BUNA	*	1
26	O RING	*	2
27	SPRING	68711	2
31	O-RING 5/16X7/16 URE	*	4
+ 32	PUSHER-SOLENOID	68729SS	2
33	RETAINER	++	2
34	O-RING	++	2
35	PUSHER PIN	++	2

\* PACKING KIT 4 WAY SOLENOID VALVE 54491

+ PUSHER-SOLENOID CONTAINS SPOOL ASSEMBLY, RETAINER, O-RING & PUSHER PIN

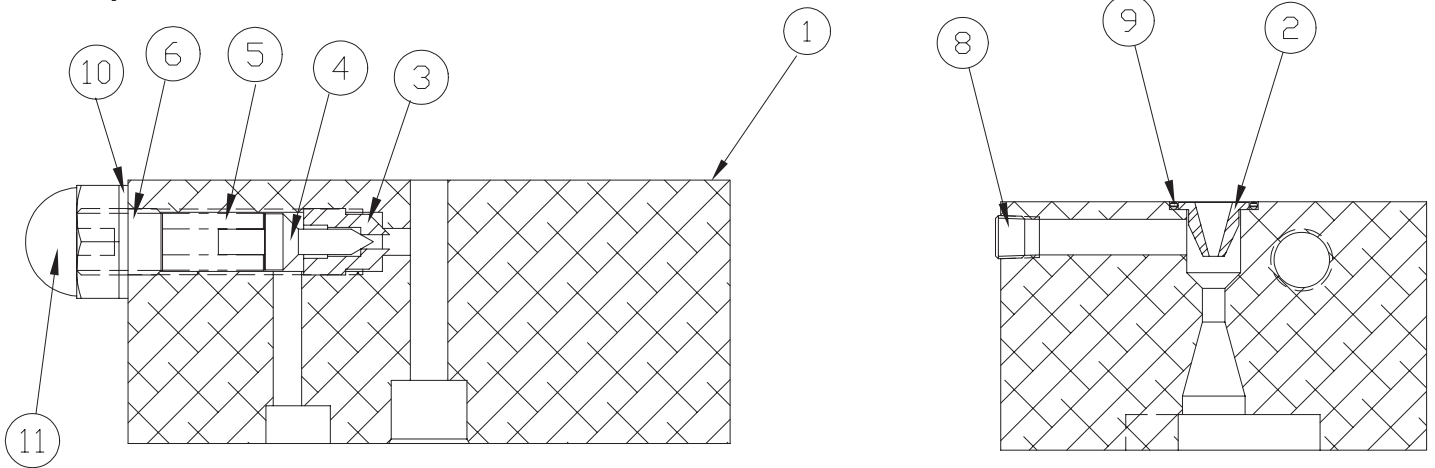
++ PUSHER REPAIR KIT 68729RK  
CONTAINS 1 EACH OF RETAINER, O-RING & PUSHER PIN



# G3 Series Electric Power Pump

# Manifold Sub Assemblies

## (69570SS) 3 WAY STANDARD



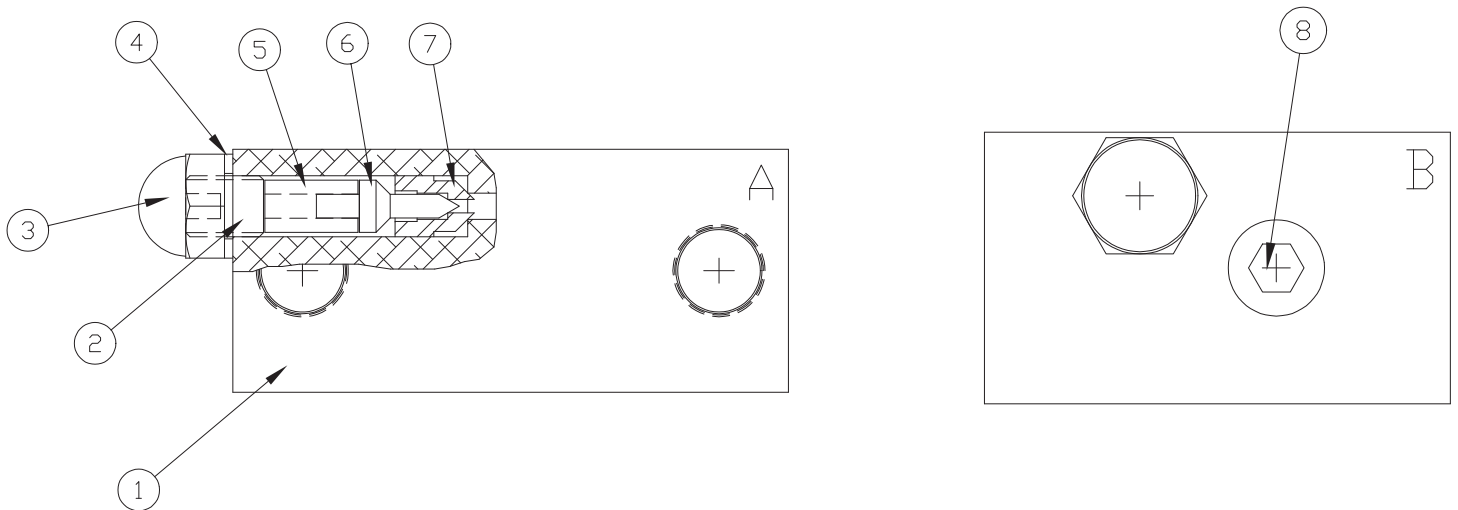
ITEM#	DESCRIPTION	PART#	
		3 WAY MAN. ASM	QTY.
01	RET. VALVE MANIFOLD	69569	1.00
02	NOZZLE-VALVE	68197	1.00
03	SEAT - EXT RELIEF	*	1.00
04	CONE - EXT RELIEF	*	1.00
05	SPRING - RELIEF VALVE	*	1.00
6	ADJUSTING SCREW	69104	1.00

ITEM#	DESCRIPTION	PART#	
		3 WAY MAN. ASM	QTY.
NS	PIPE PLUG	84084	3.00
08	PIPE PLUG-FLUSH	40049	2.00
09	O-RING	5602014	1.00
10	WASHER	69124	1.00
11	ACORN NUT	69105	1.00

NS = NOT SHOWN

RELIEF REPLACEMENT KIT (\* = COMPONENTS) -- PART # 55057

## (69100SS) 4 WAY STANDARD



ITEM#	DESCRIPTION	PART#	
		4 WAY MAN. ASM	QTY.
01	VALVE MANIFOLD	69099	1.00
02	ADJUSTING SCREW	69104	1.00
03	ACORN NUT	69105	1.00
4	WASHER	69124	1.00

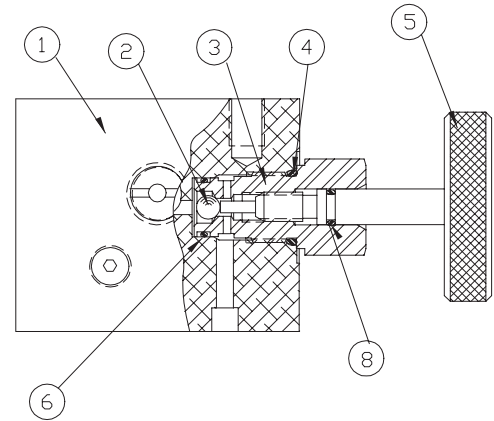
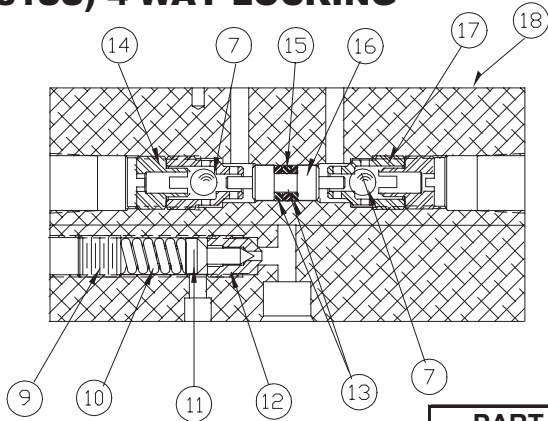
ITEM#	DESCRIPTION	PART#	
		4 WAY MAN. ASM	QTY.
05	SPRING - RELIEF VALVE	*	1.00
06	CONE - EXT RELIEF	*	1.00
07	SEAT - EXT RELIEF	*	1.00
08	PIPE PLUG	84084	2.00

RELIEF REPLACEMENT KIT (\* = COMPONENTS) -- PART # 55057

# G3 Series Electric Power Pump

# Manifold Sub Assemblies

## (68581SS) 4 WAY LOCKING

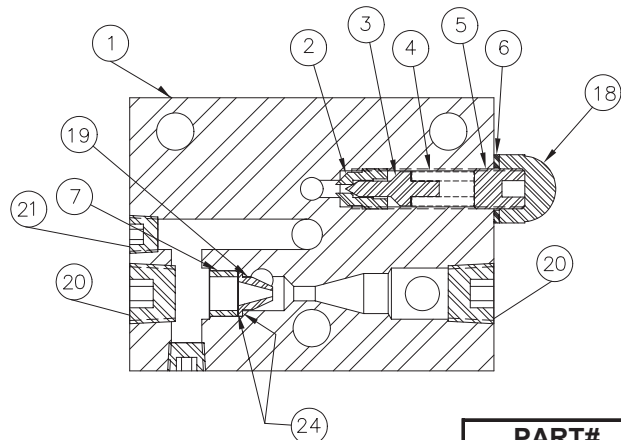
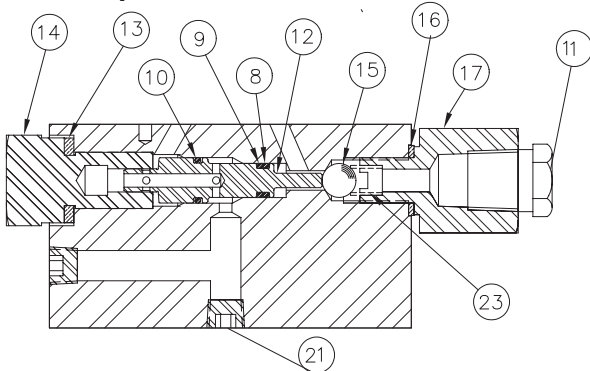


ITEM #	DESCRIPTION	PART #	
		3 WAY LOCK	QTY.
01	VALVE BODY LOCK VAL	68591	1.00
02	BALL	92549	1.00
03	RELEASE GLAND	68637	1.00
04	O-RING	*	1.00
05	RELEASE SCREW ASM	89435	1.00
06	O-RING	*	1.00
07	BALL	92526	2.00
08	O RING	*	1.00
09	RELIEF VALVE ADJ SCREW	66083	1.00

ITEM #	DESCRIPTION	PART #	
		4 WAY LOCK	QTY.
10	SPRING - RELIEF VALVE	++	1.00
11	CONE - EXT RELIEF	++	1.00
12	SEAT - EXT RELIEF	++	1.00
13	BU-WASHER	*	2.00
14	BALL RETAINER	68589	2.00
15	O-RING	5602106	1.00
16	SPOOL-LOCK VALVE	68636	1.00
17	SEAT	68590	2.00
18	PIPE PLUG	82552	1.00

RELIEF REPLACEMENT KIT (++ = COMPONENTS) -- PART # 55057  
 PACKING KIT 3 & 4 WAY LOCK VALVE (\* = COMPONENTS) -- PART #54492

## (69621SS) 3 WAY LOCKING



ITEM#	DESCRIPTION	PART#	
		3 WAY LOCK	QTY.
01	VLV BODY LOCKING	69573	1.00
02	SEAT - EXT RELIEF	++	1.00
03	CONE - EXT RELIEF	++	1.00
04	SPRING - RELIEF VALVE	++	1.00
05	SCREW	69104	1.00
06	WASHER	69124	1.00
07	RETAINING SLEEVE	69620	1.00
08	O RING	*	1.00
09	BACK-UP WASHER	*	1.00
10	O-RING	*	1.00
11	HEX ST. PIPE PLUG	87145	1.00
12	SPOOL	69574	1.00

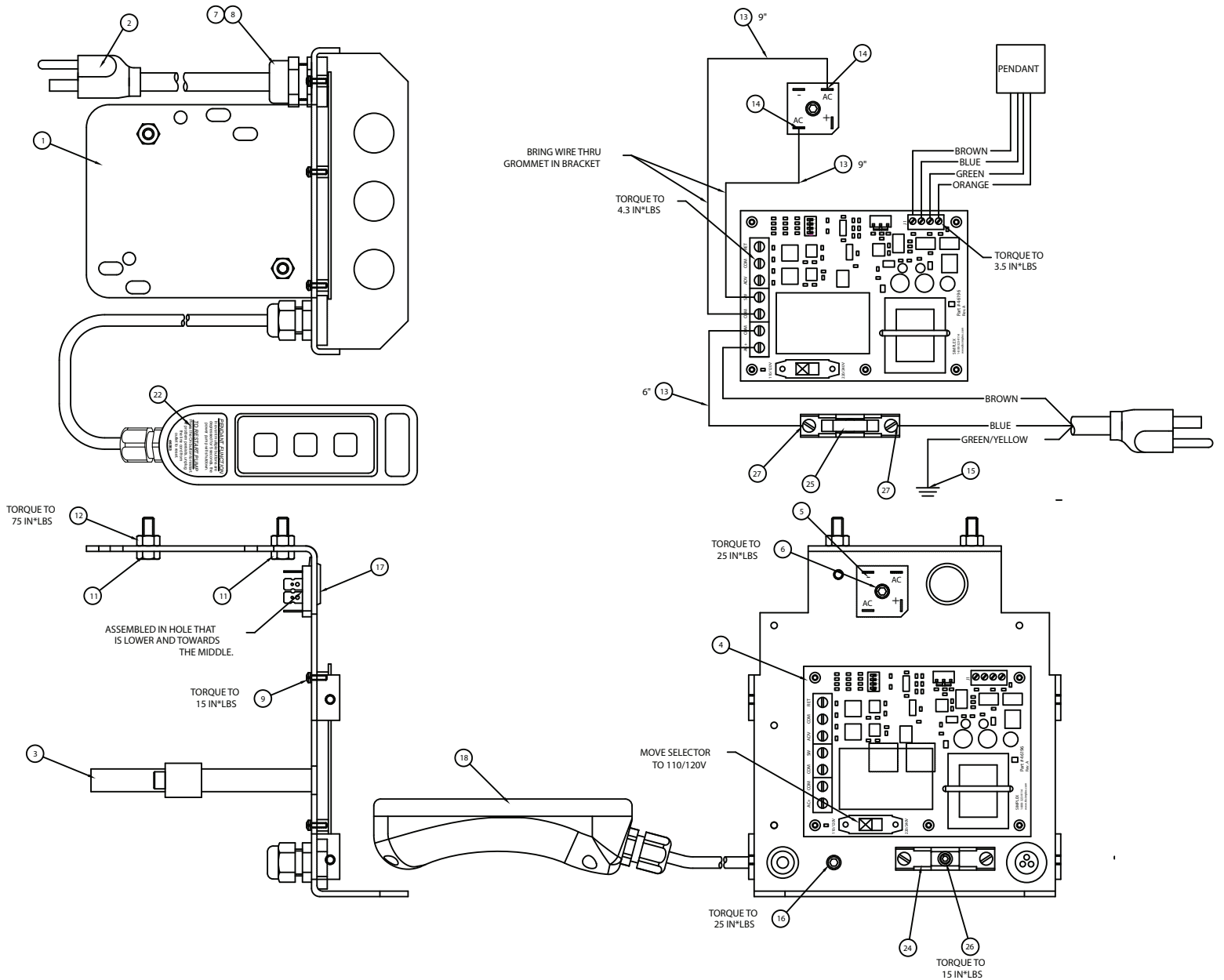
ITEM#	DESCRIPTION	PART#	
		4 WAY LOCK	QTY.
13	GASKET-PLUG	68183	1.00
14	PLUG-SPOOL	68184	1.00
15	BALL	92550	1.00
16	GASKET WASHER	68080	1.00
17	PORT ADAPTER	68187	1.00
18	ACORN NUT	69105	1.00
19	NOZZLE-VALVE	68197	1.00
20	PIPE PLUG 3/8"	84084	2.00
21	PIPE PLUG 1/8"	81093	3.00
NS	1/16 PIPE PLUG-	40049	2.00
23	COMPRESSION SPRING	68188	1.00
24	LOCTITE	41828	0.10

PACKING KIT 3 & 4 WAY LOCK VALVE (\* = COMPONENTS) -- PART #54492  
 RELIEF REPLACEMENT KIT (++ = COMPONENTS) -- PART # 55057

# G3 Series Electric Power Pump

# Bracket Sub Assemblies

## (46488SS) BRACKET SUB ASM. 115V.



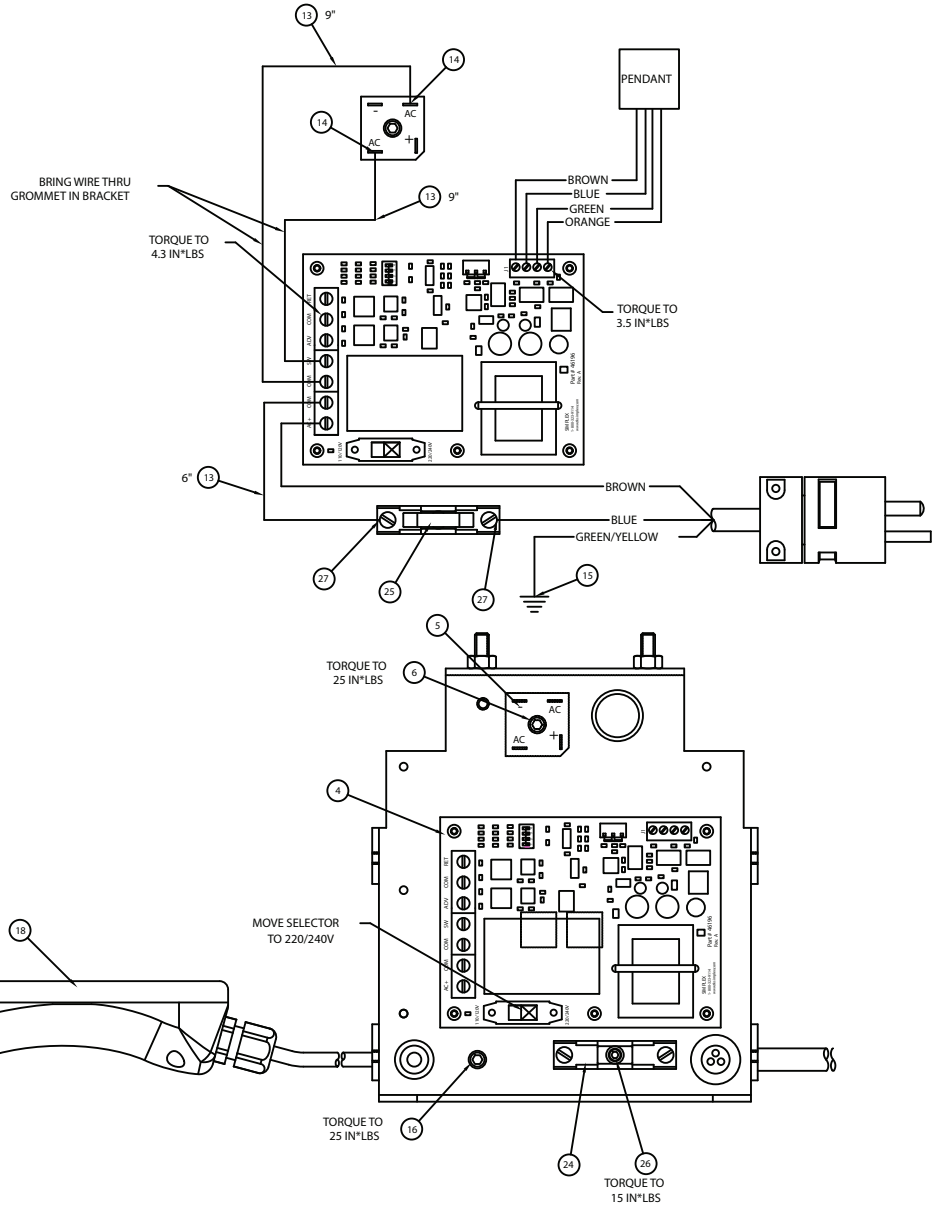
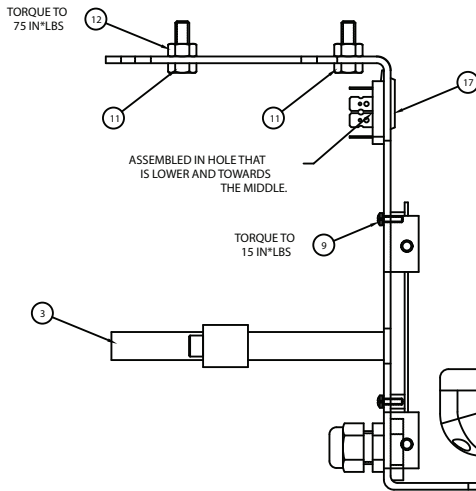
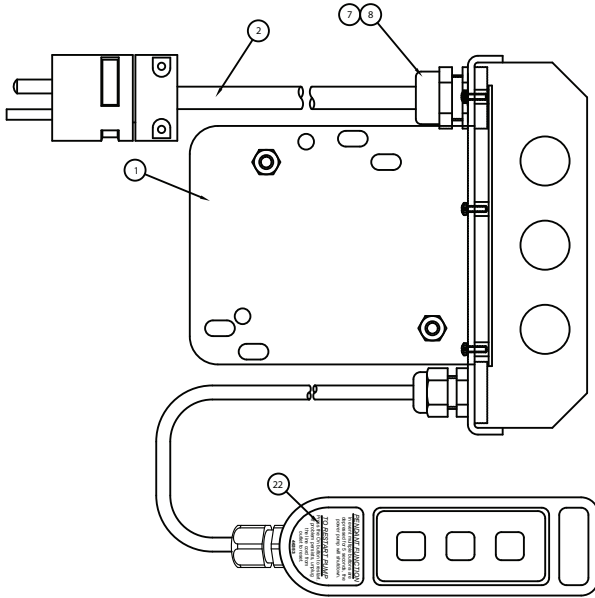
ITEM #	DESCRIPTION	PART#	QTY.
01	MOUNTING BRACKET G3/G5	46233	1.00
02	PLUG AND CORD ASSY	68595	1.00
04	CIRCUIT BOARD BASIC	46196	1.00
05	BRIDGE RECTIFIER 25A	68623	1.00
06	SHCS #10-32 X 1/2	66805	1.00
07	FITTING, CORD L-TIGHT	68375	1.00
08	LOCKNUT 1/2 INCH	85510	1.00
09	MACHINE SCR W/ LOCK WASH#6-32	46248	5.00
11	HHCS 1/4-20 X .75 PLT	65891	2.00
12	HEX NUT 1/4-20 PLATD	93849	2.00

ITEM #	DESCRIPTION	PART#	QTY.
13	WIRE #14 BLACK	68261B	2.00
14	QUICK DISCON. FLAG BLUE	44491	2.00
15	RING TERMINAL 1/4"	69917	1.00
16	SHCS #10-32X1/4" LG PLATED	45175	1.00
17	GROMMET 7/8" HOLE	69855	1.00
18	PENDANT ASSEMBLY	46220	1.00
22	PENDANT INSTRUC DECAL	46353	1.00
24	FUSE HOLDER 30 AMP	46481	1.00
25	FUSE 25 AMP	46482	1.00
26	SHCS #6-32 x 1/4 LONG	46506	1.00
27	SPADE TERMINAL	68116	2.00

# G3 Series Electric Power Pump

# Bracket Sub Assemblies

(46489SS) BRACKET SUB ASM. 230V.



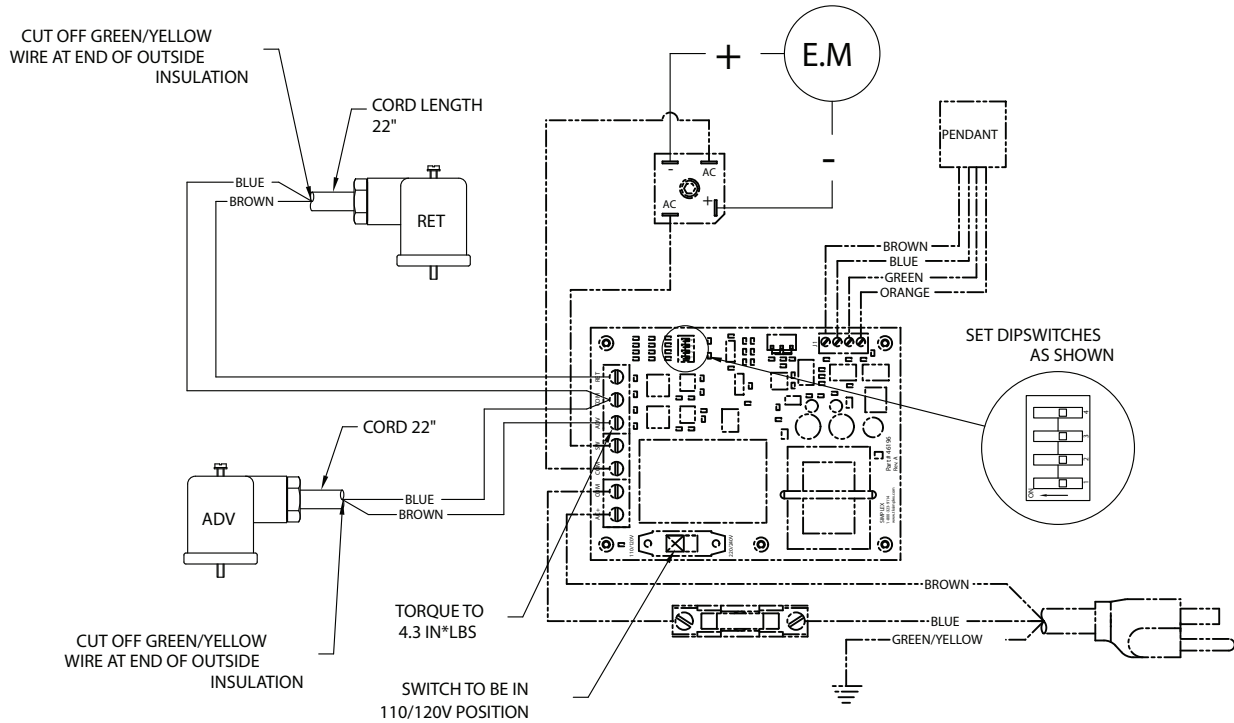
ITEM #	DESCRIPTION	PART#	QTY.
01	MOUNTING BRACKET G3/G5	46233	1.00
02	Cord Assembly 230V US/CAN Lg 6FT	DD4773052	1.00
04	CIRCUIT BOARD BASIC	46196	1.00
05	BRIDGE RECTIFIER 25A	68623	1.00
06	SHCS #10-32 X 1/2	66805	1.00
07	FITTING,CORD L-TIGHT	68375	1.00
08	LOCKNUT 1/2 INCH	85510	1.00
09	MACHINE SCR W/ LOCK WASH #6-32	46248	5.00
11	HHCS 1/4-20 X .75 PLT	65891	2.00
12	HEX NUT 1/4-20 PLATD	93849	2.00

ITEM #	DESCRIPTION	PART#	QTY.
13	WIRE #14 BLACK	68261B	2.00
14	QUICK DISCON. FLAG BLUE	44491	2.00
15	RING TERMINAL 1/4"	69917	1.00
16	SHCS #10-32X1/4" LG PLATED	45175	1.00
17	GROMMET 7/8" HOLE	69855	1.00
18	PENDANT ASSEMBLY	46220	1.00
22	PENDANT INSTRUC DECAL	46353	1.00
24	FUSE HOLDER 30 AMP	46481	1.00
25	FUSE 12 AMP	46379	1.00
26	SHCS #6-32 x 1/4 LONG	46506	1.00
27	SPADE TERMINAL	68116	2.00

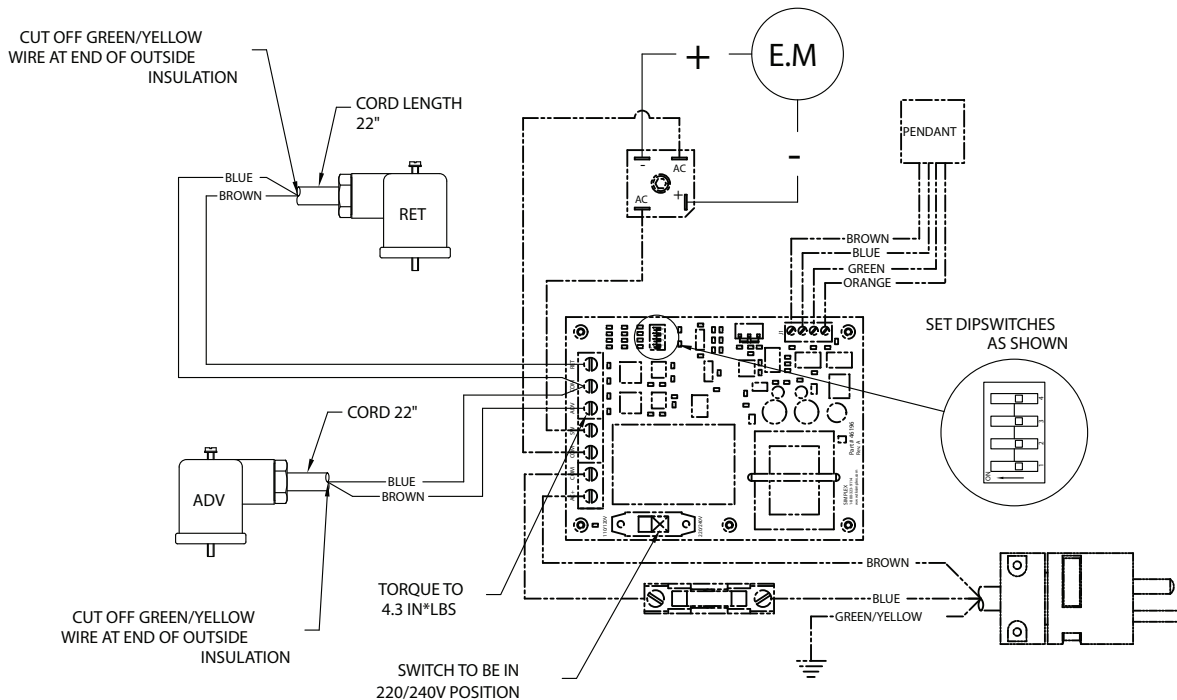
# G3 Series Electric Power Pump

# Wire Configurations

## SOLENOID CONTROL WIRING DIAGRAM 115V.



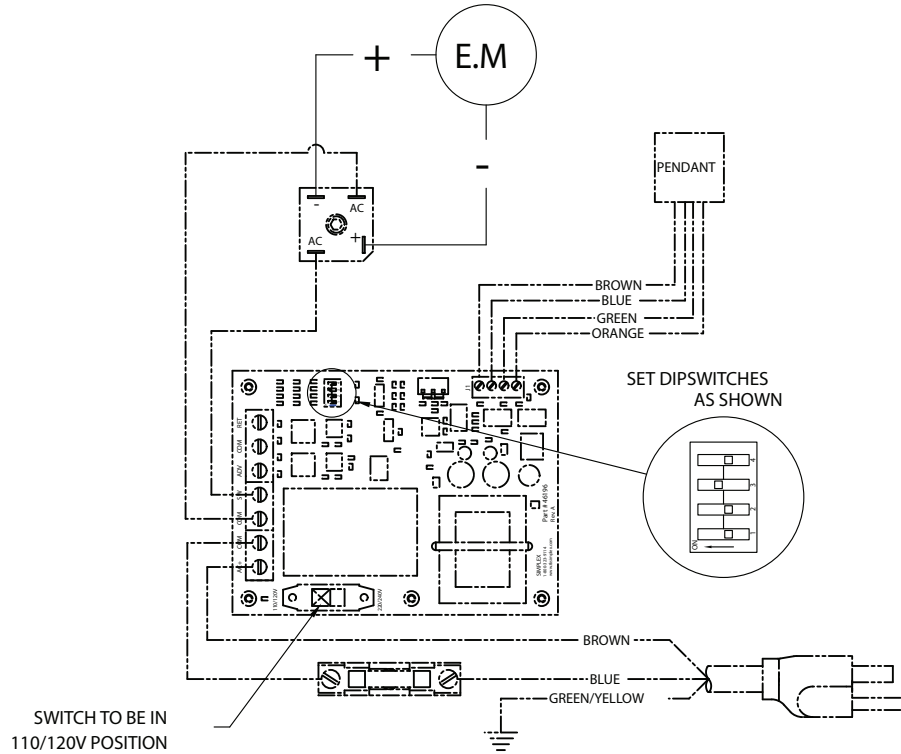
## SOLENOID CONTROL WIRING DIAGRAM 230V.



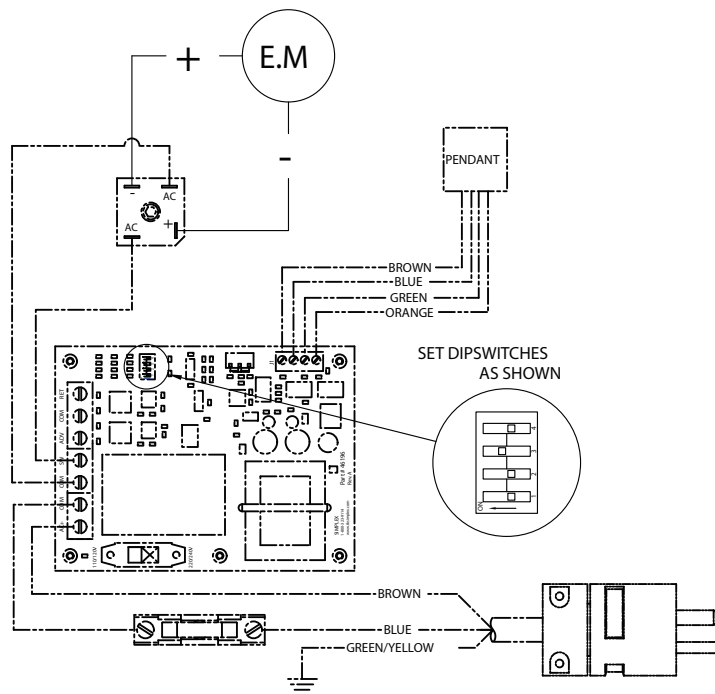
# G3 Series Electric Power Pump

# Wire Configurations

## MANUAL MOTOR CONTROL WIRING DIAGRAM 115V.



## MANUAL MOTOR CONTROL WIRING DIAGRAM 230V.



# G3 Series Electric Power Pump

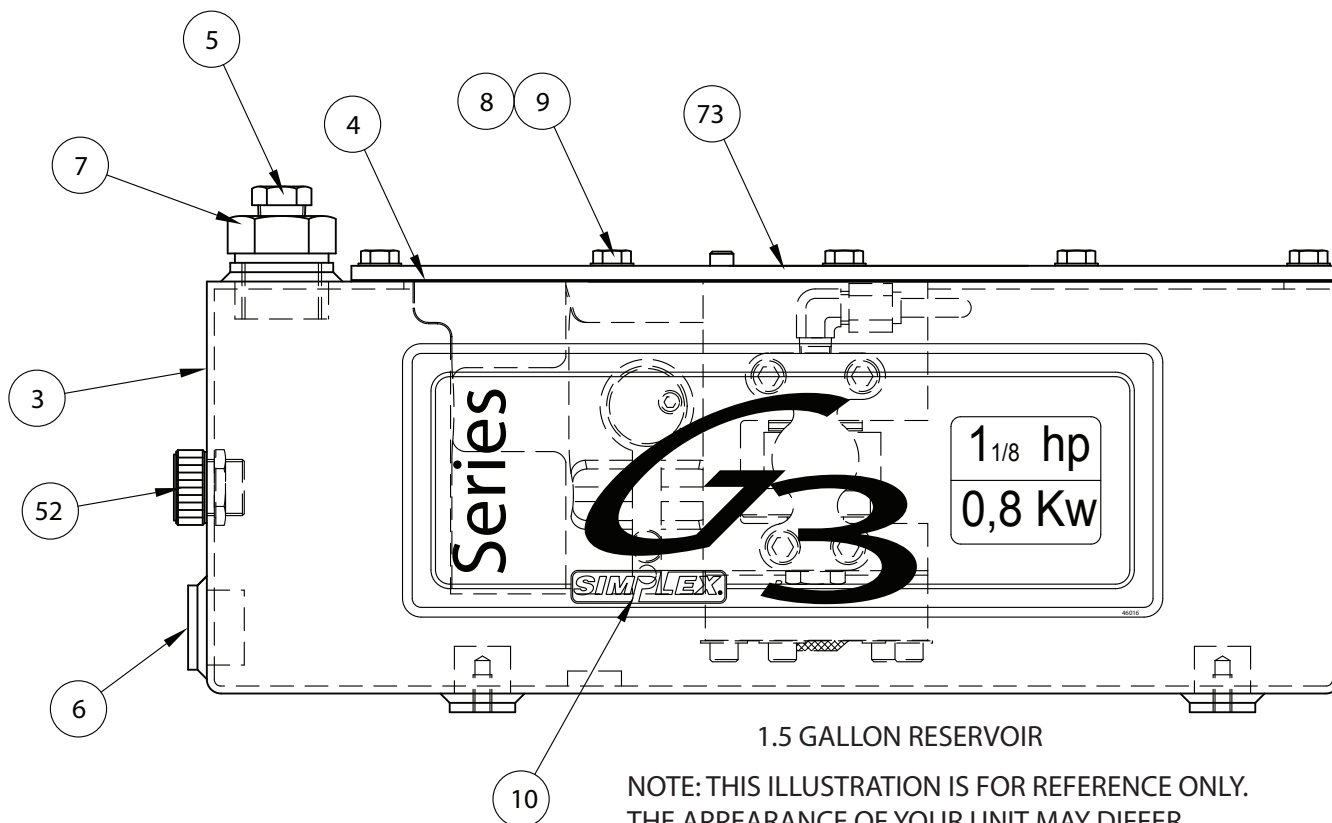
# Reservoirs

**(46109P) 1.0 GALLON RESERVIOR**

**(45996P) 1.5 GALLON RESERVIOR**

**(46213P) 2.5 GALLON RESERVIOR**

**(46046P) 5.0 GALLON RESERVIOR**



NOTE: THIS ILLUSTRATION IS FOR REFERENCE ONLY.  
THE APPEARANCE OF YOUR UNIT MAY DIFFER  
FROM UNIT SHOWN.

ITEM #	DESCRIPTION	1.0 GALLON	QTY.	1.5 GALLON	2.5 GALLON	5.0 GALLON	QTY.
03	RESERVOIR	46109P	1.00	45996P	46213P	46046P	1.00
04	RESERVOIR GASKET	46476	1.00	85469	85469	85469	1.00
05	BREATHER VENT 3/8" NPT	68000	1.00	46348	46348	46348	1.00
06	1/2 SOC PIPE PLUG	46697	1.00	46697	46697	46697	1.00
07	SAE #12 HEX PLUG WITH PORT	N/A	0.00	46118	46118	46118	1.00
08	HHCS 1/4-20 x 3/4 LG PLATED	65891	9.00	65891	65891	65891	14.00
09	SEALING WASHER	65892	9.00	65892	65892	65892	14.00
10	G3 RESERVOIR DECAL	46016	1.00	46016	46016	46016	1.00
52	SIGHT GAUGE	46009	1.00	46009	46009	46009	1.00
73	COVER PLATE	46350	1.00	45928	45928	45928	1.00