



Electric



G3132 Shown

- Reservoir Capacity▶ 1 - 20 gallons
- Flow @ Rated Pressure▶ 46 cu.in./min.
- Maximum Pressure▶ 10,000 psi

- ▶ Powered by a 115V - 60Hz, 1.13 hp universal motor (21,000 rpm).
- ▶ Low startup voltage, draws 16 amps at full load (230V models available).
- ▶ Equipped with a 15' remote power controlled pendant.
- ▶ Reservoirs available in 1- 20 gallons; welded steel design.
- ▶ Ideal for use with small, mid sized hydraulic cylinders or tools.

Power Pumps



SITE GAUGE

Metal reservoir site gauge for easy viewing of oil level.



IN-LINE VALVES - page 72

Maximize control and safety with our in-line valves.



MANIFOLDS -

The ideal solution in obtaining precise control when operating multiple cylinders.



SUC-O-MATIC VALVE

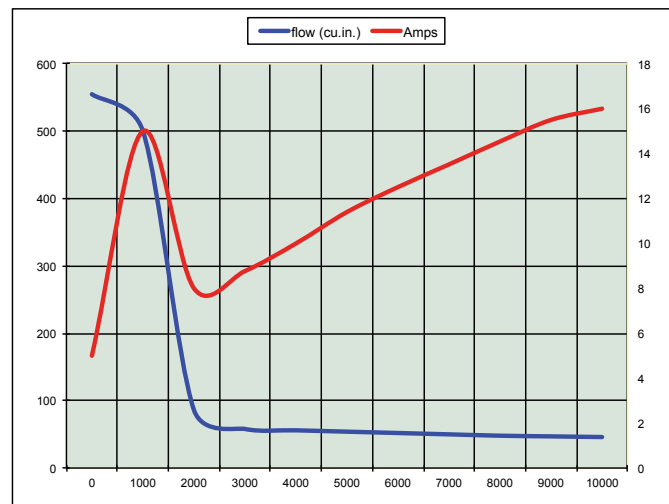
The 3 position / 3 way "Suc-O-Matic" valve draws hydraulic oil out of any single acting cylinder with full retraction regardless of weak springs or mounting.



THINK SAFETY

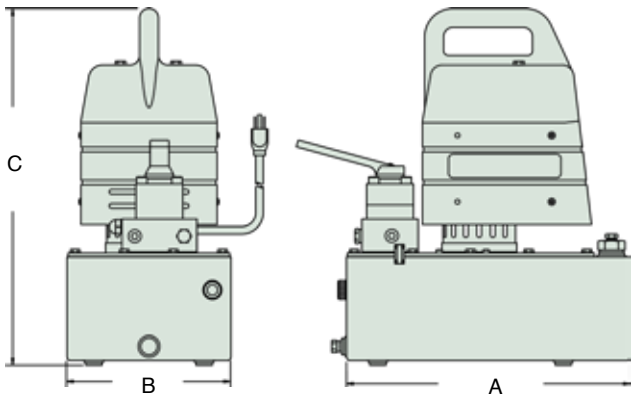
Please refer to pages 4&5 for a complete list of safety tips and recommendations.

A Simplex G3 power pump was used at a testing facility to pressurize manifolds for leaks. ▼





Electric

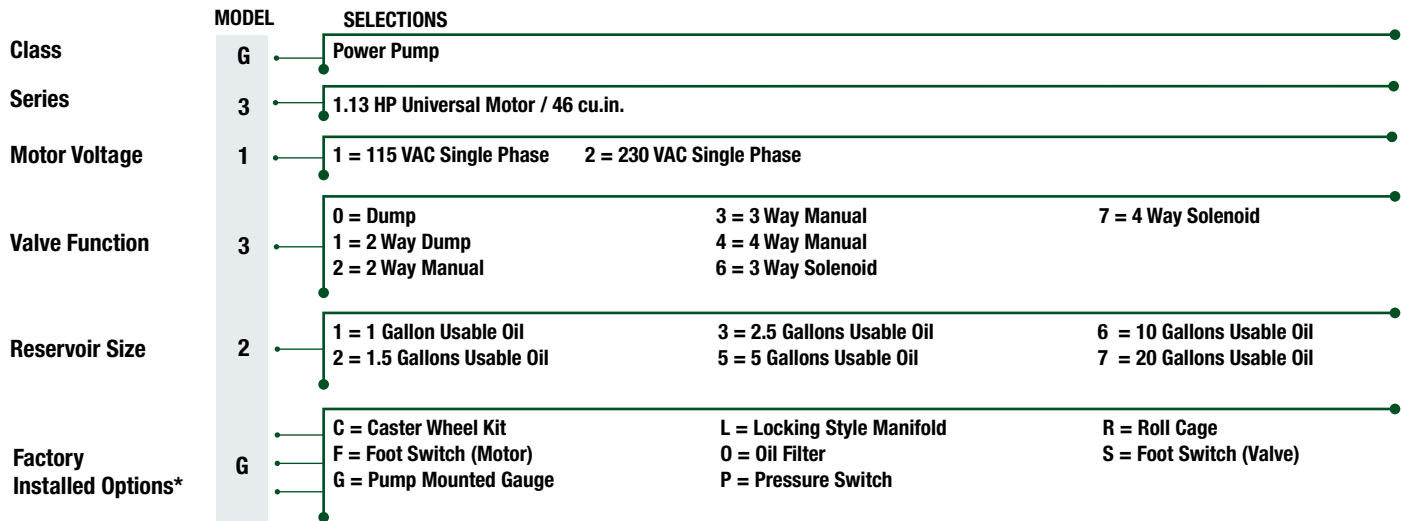


Reservoir (Gallons)	A	B	C
	(in)	(in)	(in)
1	11.00	8.19	18.75
1.5	15.13	8.75	19
2.5	17	9.75	19
5	25.10	11.75	18.75
10	25.10	11.75	23
20	28	19.6	25.25

Model	Pressure Rating (psi)		Output Flow (cu.in./min.)		Motor Spec.		Valve Type	Pendant Control	Usable Oil	Weight (lbs)
	1st Stage	2nd Stage	1st Stage	2nd Stage	(vac)	(amps)				
G3100	1,100	10,000	525	46	115	16	Dump	Motor	1	38
G3101	1,100	10,000	525	46	115	16	Dump	Motor	1	45
G3102	1,100	10,000	525	46	115	16	Dump	Motor	1.5	50
G3121	1,100	10,000	525	46	115	16	2W, 2P	Motor	1	45
G3122	1,100	10,000	525	46	115	16	2W, 2P	Motor	1.5	52
G3131	1,100	10,000	525	46	115	16	3W, 3P	Motor	1	48
G3132	1,100	10,000	525	46	115	16	3W, 3P	Motor	1.5	53
G3133	1,100	10,000	525	46	115	16	3W, 3P	Motor	2.5	63
G3162	1,100	10,000	525	46	115	16	3W, 3P	Motor / Solenoid	1.5	57
G3163	1,100	10,000	525	46	115	16	3W, 3P	Motor / Solenoid	2.5	67
G3141	1,100	10,000	525	46	115	16	4W, 3P	Motor	1	48
G3142	1,100	10,000	525	46	115	16	4W, 3P	Motor	1.5	53
G3143	1,100	10,000	525	46	115	16	4W, 3P	Motor	2.5	63
G3172	1,100	10,000	525	46	115	16	4W, 3P	Motor / Solenoid	1.5	57
G3173	1,100	10,000	525	46	115	16	4W, 3P	Motor / Solenoid	2.5	67

* For 230 VAC pump use "2" in the 3rd character of the model number. Motor specifications 0.8 kw single phase, 10 amps @ 230 VAC.

Additional Pump Configurations



- * If pump model consists of more than 3 options, contact factory. * Motor pendant is standard on all models.
- * Gauge will not be protected by roll cage when a 5 gallon or larger reservoir is ordered.
- * Roll cage not available on 10 & 20 gallon reservoir.
- * Caster wheel kit not available on 5, 10 & 20 gallon reservoirs.
- * Oil filter not available on dump, 2 way dump & 2 way manual.

Power Pumps