



777 OAKMONT LANE, SUITE 800 WESTMONT, IL 60559  
1.800.323.9114 • Outside U.S. 1.630.590.6990  
www.tksimplex.com

# G4 SERIES ELECTRIC POWER PUMP

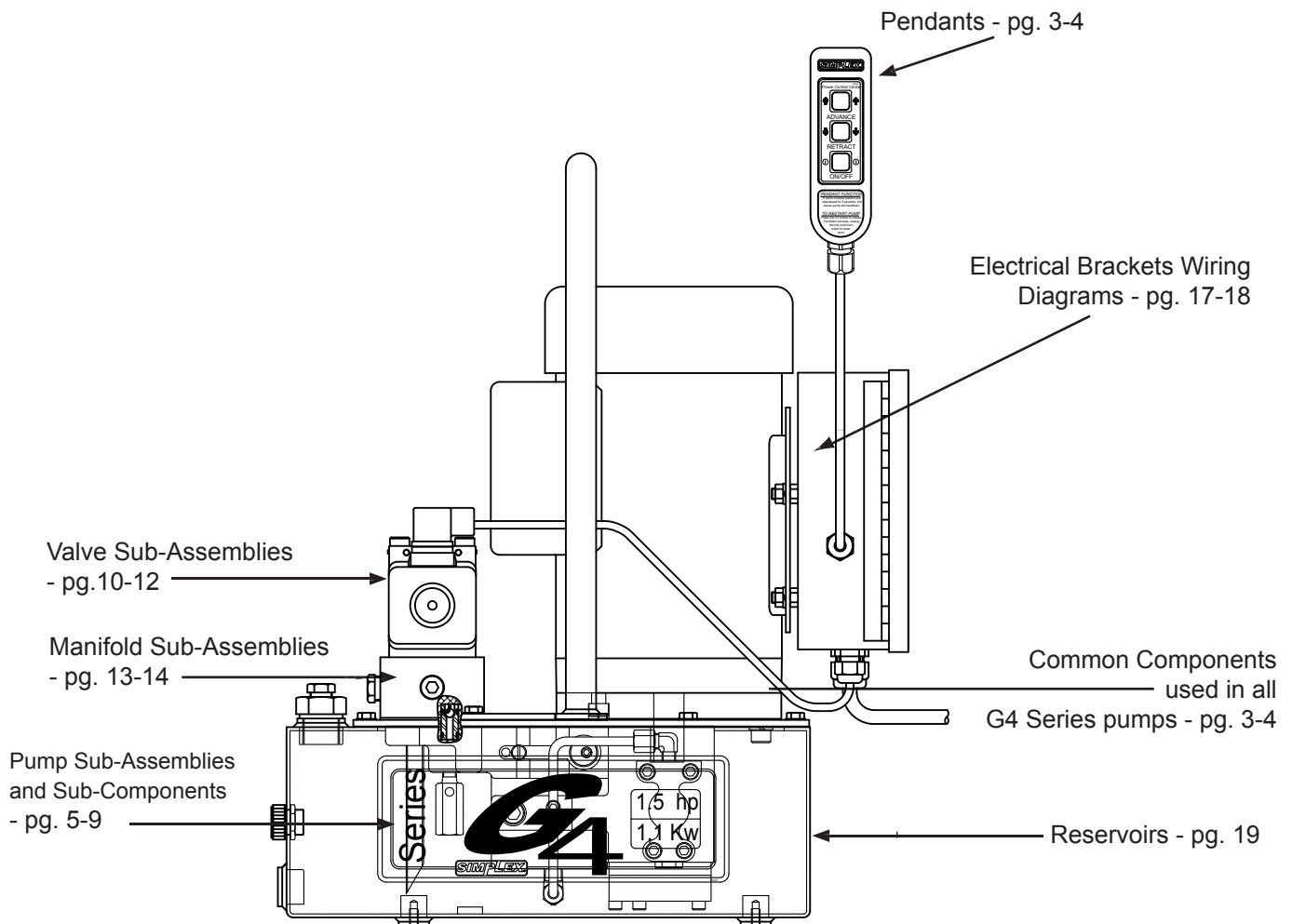
PARTS IDENTIFICATION MANUAL

Reference # TD060

Rev. - C

Date - 8/13

*This illustration is for reference purposes only. The appearance of your unit may differ from the unit shown.*



# G4 Series Electric Power Pump

# How to Identify Parts for Your Model.

## MODEL MATRIX

Understanding our model number configurations:

	PUMP CLASS		PUMP TYPE				OPTION 1	OPTION 2	OPTION 3
Sample Model #:	<b>G</b>	<b>4</b>	<b>1</b>	<b>4</b>	<b>3</b>	<b>L</b>	<b>M</b>	<b>R</b>	
Description:	Model	Performance Series	Power Consumption	Valve Function	Reservoir Size	Options			
	G = Gen II Pump	4 = 1.5 HP	1 = 115 VAC 2 = 230 VAC	0 = Dump 1 = Dump 2 Way 2 = 2 Way Manual 3 = 3 Way Manual 4 = 4 Way Manual 5 = 2 Way Solenoid 6 = 3 Way Solenoid 7 = 4 Way Solenoid 8 = Port Block	2 = 1.5 Gal 3 = 2.5 Gal 5 = 5 Gal 6 = 10 Gal 7 = 20 Gal	C = Caster Wheel Kit D = Dig. Pressure Gauge F = Foot Switch (motor) G = Gauge (intergrated) H = Heat Exchanger L = Locking Style Manifold M = Motor Pendant O = Oil Filter P = Pressure Switch R = Roll Cage S = Foot Switch (valve)			

## MODEL NUMBER & DATE CODE LOCATION

For Example, the date code and serial number

J= **October**

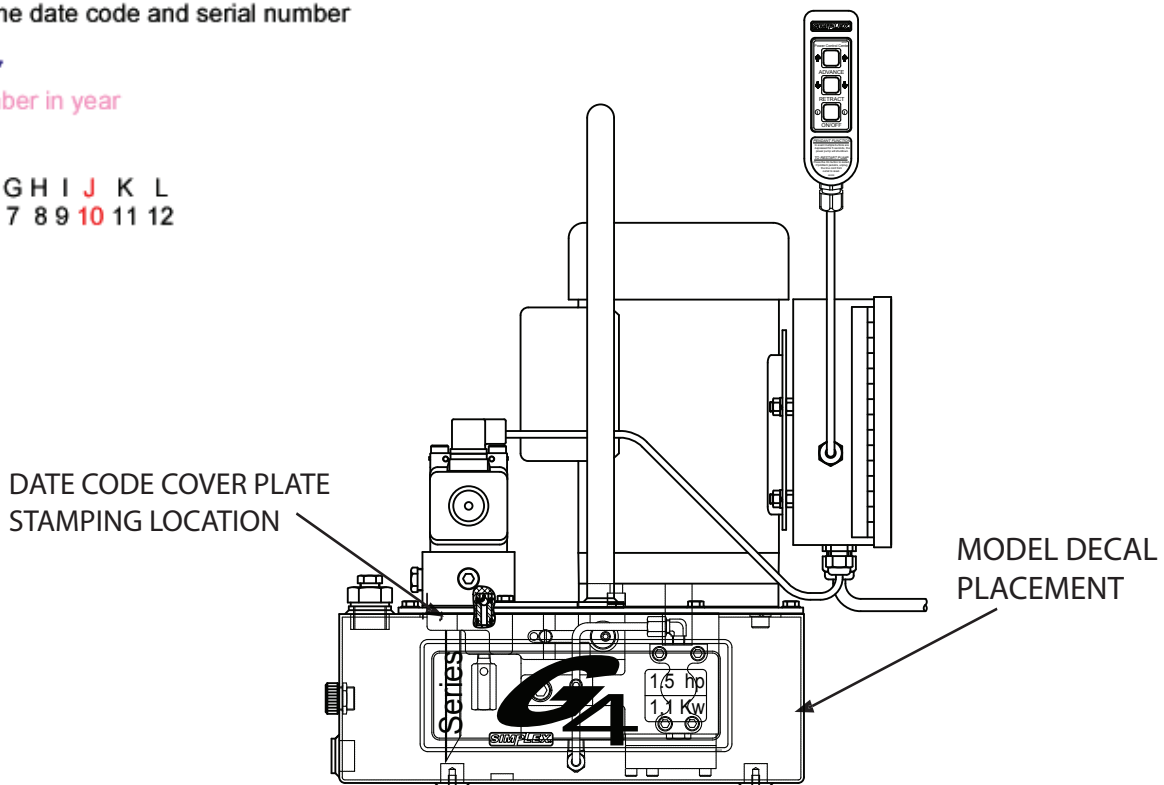
07 = **Year 2007**

42= **Week number in year**

**J 07 42**

A B C D E F G H I **J** K L

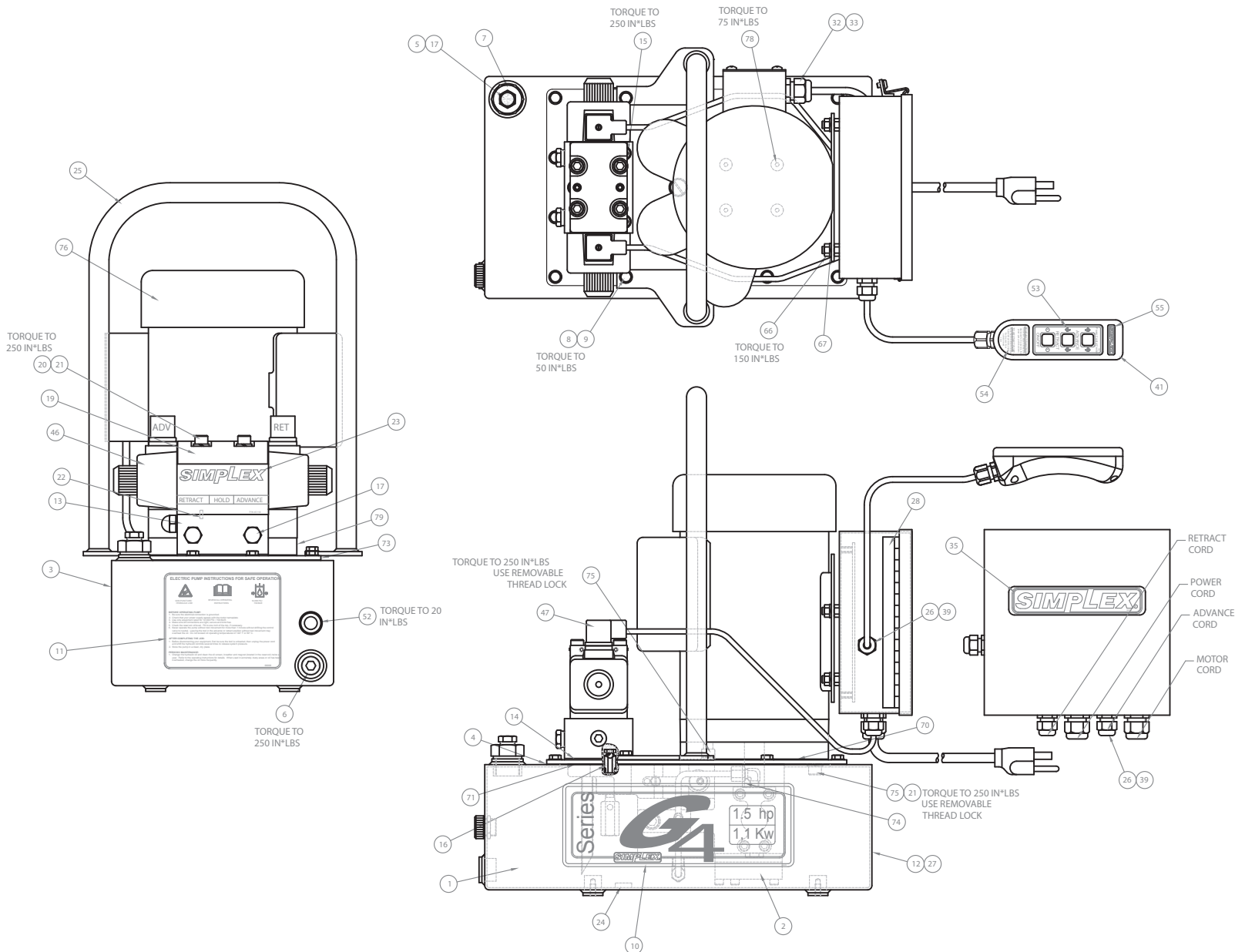
1 2 3 4 5 6 7 8 9 **10** 11 12



# G4 Series Electric Power Pump

# Common components used in pumps

NOTE: This illustration is for reference only. The appearance of your unit may differ from the unit shown.



# G4 Series Electric Power Pump

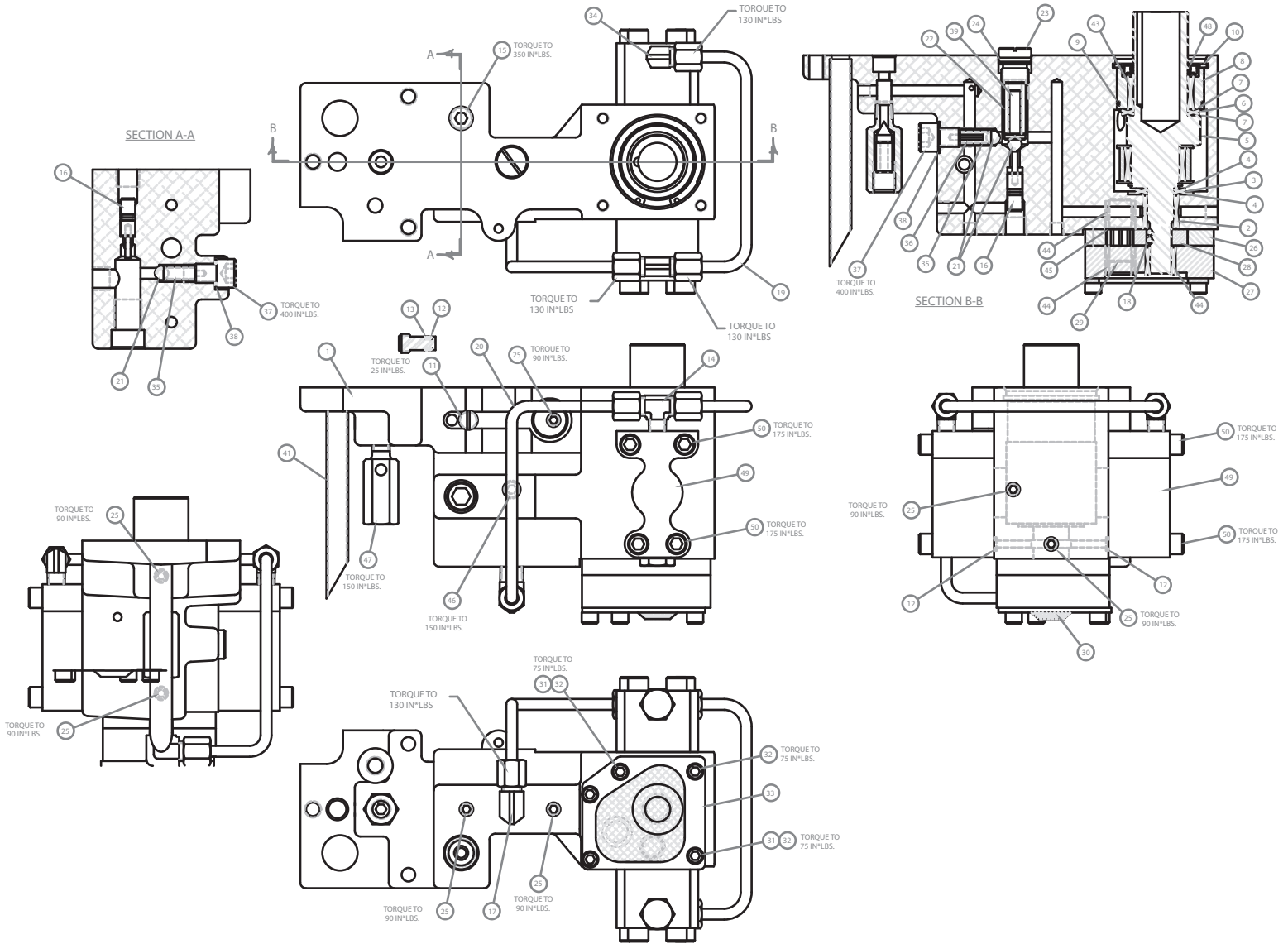
# Common components used in pumps

ITEM #	DESCRIPTION	115 V.	230 V.	QTY.
002	PUMP ASM. G4&G6 2 STAGE	SEE PAGE 5-7		1.00
003	RESERVOIR	SEE PAGE 16		1.00
004	RESERVOIR GASKET	85469	85469	1.00
005	BREATHER VENT 3/8" NPT	46348	46348	1.00
006	PIPE PLUG 1/2" FLUSH W/ COATING	46697	46697	1.00
007	SAE #12 HEX PLUG WITH PORT	46118	46118	1.00
008	HHCS 1/4-20 X .75 PLT	65891	65891	14.00
009	SEALING WASHER	65892	65892	14.00
010	RESERVOIR DECAL G4	46635	46635	2.00
011	LABEL SAFE USE ELEC	68068	68068	1.00
012	BLANK DECAL 3 X 4	87305	87305	1.00
013	MANIFOLD ASM	SEE PAGE 10-11		1.00
014	VALVE GASKET	69242	69242	1.00
014	VALVE GASKET (4WAY LOCK)	68581	68581	1.00
015	SHCS 3/8-16 X 2 1/4 (2WAY, 3WAY & 4WAY)	93598		3.00
015	SHCS 3/8-16 X 2 3/4 (LOCK 3WAY/4WAY)	99921	99921	3.00
015	SHCS 3/8-16 X 1 1/4 (DUMP VALVE)	93596	93596	2.00
016	VAL ADP W/ CHECK ASM	69378	69378	1.00
016	VAL ADP (DUMP)	68963	68963	1.00
017	HEX PIPE PLG 3/8" (DUMP, 2WAY & 3WAY)	46513		1.00
017	HEX PIPE PLG 3/8" W/ COAT (4 WAY)	46513	46513	2.00
018	SHCS 3/8-16 X 1.75 (DUMP VALVE)	84692	84692	1.00
019	VALVE ASM.	SEE PAGE 8-9		1.00
020	SHCS 3/8-16 X 3 1/2 (SOLENOID ONLY)	88363	88363	4.00
021	LOCKWASHER 3/8 PLATED	93943	93943	2.00
021	LOCKWASHER 3/8 PLATED (SOLENOID ONLY)	93943	93943	4.00
022	ROLL PIN 1/8 X 3/8 LG (SOLENOID ONLY)	561604	561604	1.00
023	RET VLV DECAL (3 WAY MANUAL)	68199	68199	1.00
023	RET VLV DECAL (4 WAY MANUAL)	68069	68069	1.00
023	RET VLV DECAL (3 WAY SOLENOID)	45120	45120	1.00
023	RET VLV DECAL (4 WAY SOLENOID)	45118	45118	1.00
024	MAGNET	66021	66021	1.00
025	HANDLE 1.5 /2.5 GAL RESERVOIR	46378	46378	1.00
026	STRAIN RELIEF 3/8 NPT (SOLENOID ONLY)	46059	46059	3.00
027	DECAL OVERLAY	46539	46539	1.00
028	CONTROL BOX ASM G4 PUMPS	SEE PAGE 12-13		1.00
031	MEMBRANE SWITCH (NON PENDANT PUMPS)	46246	46246	1.00
032	FITTING, CORD L-TIGHT	68375	68375	1.00
033	LOCKNUT 1/2 INCH	85510	85510	1.00
035	SIMPLEX DECAL 5.7T x 1.15" (SOL/MOTOR PENDANT)	46355	46355	1.00
038	RING TERMINAL 1/4"	69917	69917	1.00
039	LOCKNUT 3/8 NPT (SOLENOID ONLY)	46340	46340	3.00
041	PENDANT ASSEMBLY (SOLENOID & MOTOR)	46220	46220	1.00
043	WIRE NUT TAN	84983	84983	3.00
046	COIL WITH DIN CONN (SOLENOID ONLY)	46294	46324	2.00
047	MOLD DIN CONN W/ CORD (SOLENOID ONLY)	46327	46327	2.00
052	SIGHT GAUGE	46009	46009	1.00
053	MEMBRANE SWITCH LABEL	*	*	1.00
054	DECAL PENDANT INSTRUCTION	*	*	1.00
055	SIMPLEX DECAL 1.25" x 0.25"	*	*	1.00
066	HEX NUT 5/16-18 ZINC PLTD	Y0001045	Y0001045	4.00
067	LOCKWASHER 5/16	93942	93942	4.00
070	GASKET-MOTOR	66012	66012	1.00
071	PUMP GASKET G5	46032	46032	1.00
073	COVER PLATE G5	45905	45905	1.00
074	PIN, DOWEL 3/16 1" LONG	69026	69026	1.00
075	SHCS 3/8-16 X 3/4 LG	97084	97084	4.00
076	MOTOR 1 1/2 HP	DS1011259	DS1011259	1.00
078	FHCS 1/4-28 x 0.50 LONG	46279	46279	4.00
079	MOTOR STANDOFF	46392	46392	1.00
*	G SERIES PENDANT DECAL KIT	54489	54489	1.00

# G4 Series Electric Power Pump

# Pump Sub Assembly

**(46632SS) PUMP SUB ASM.**



# G4 Series Electric Power Pump

# Pump Sub Assembly

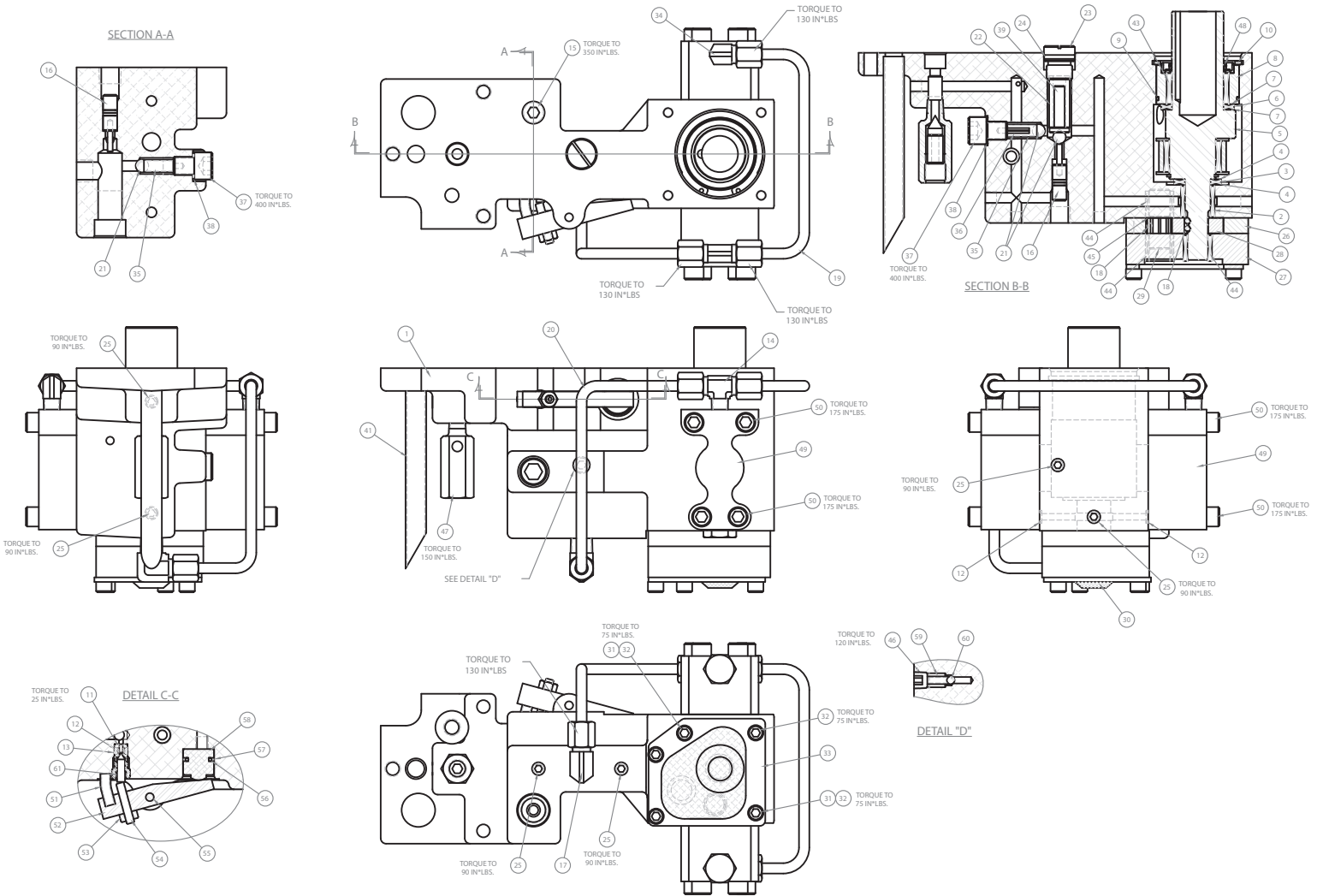
**(46632SS)  
PUMP SUB ASM.**

ITEM#	DESCRIPTION	PART #	QTY
1	PUMP BODY G5	45750	1
2	BEARING ROLLER 5/	68360	1
3	THRUST BEARING	66033	1
4	THRUST WASHER	66474	2
5	ECCENTRIC SHAFT	SEE PAGE 9	1
6	THRUST BEARING	66106	1
7	THRUST WASHER	66108	2
8	ECCENTRIC SHAFT	45908	1
9	O-RING 1 7/8X2" U	56020322	1
10	RETAINING RING	68978	1
11	POWR BUD DUMP PLU	43283	1
12	O-RING 3/16X5/16	5602008	3
13	BACKUP WASHER	56080087	1
14	MALE TEE 1/8 PIPE	45426	1
15	1/4 FLUSH PLUG W/	46509	1
16	UNLOADING PISTON	SEE PAGE 9	2
17	MALE ELBOW 1/4 TU	45929	1
18	BALL 1/8"	90906	4
19	PISTON BLOCK TUBE	46548	1
20	OUTLET TUBE PISTO	45815	1
21	BALL 5/16"	91701	3
22	UNLOADING SPRING	43671	1
23	ADJUSTING SCREW G	45903	1
24	O-RING5/8X3/4 URE	56020162	1
25	1/16 FLUSH PLUG W	40049	7
27	PLATE-BOTTOM	68849	1
28	GEAR SET 3/8" CLY	68855S	1
29	SHAFT-IDLER	68850	1
30	SCREEN	68921	1
31	TUBE-GUIDE .22	68922	2
32	SHCS 1/4-28 X 1 3	68255	5
33	PLATE-SCREEN MTG.	68927	1
34	MALE ELBOW 1/8 PI	69354	1
35	SPRING	68225	2
36	ROLL PIN 1/8 X 3/	97782	1
37	BALL STOP G5	45904	2
38	GASKET 29/64 X 5/	86269	2
39	SPRING CAP UNLOAD	43673	1
41	TUBE RETURN	68569	1
43	BEARING ROLLER 1	66030	1
44	BEARING ROLLER 1/	68891	3
45	RING-RETAINING	68892	1
46	1/8 FLUSH PLUG W/	46508	1
47	CART REL. VAL. AS	66220SS	1
48	SHAFT SEAL G5	45930	1
49	PISTON BLOCK ASM	SEE PAGE 9	2
50	SOCKET HEAD CAPSC	69392	8

# G4 Series Electric Power Pump

# Pump Sub Assembly

(DS131990SS) DUMP PUMP SUB ASM.



# G4 Series Electric Power Pump

# Pump Sub Assembly

**(DS131990SS) DUMP PUMP SUB ASM.**

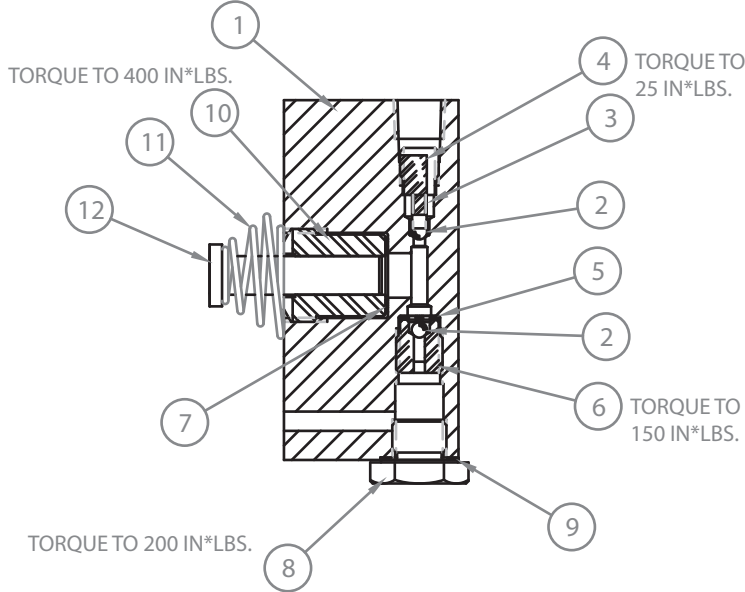
ITEM#	DESCRIPTION	PART #	QTY
1	PUMP BODY G5	45750	1
2	BEARING ROLLER 5/8x13/16	68360	1
3	THRUST BEARING	66033	1
4	THRUST WASHER	66474	2
5	ECCENTRIC SHAFT ASSEMBLY	SEE PAGE 9	1
6	THRUST BEARING	66106	1
7	THRUST WASHER	66108	2
8	ECCENTRIC SHAFT ADAPTER	45908	1
9	O-RING 1 7/8X2" URE	56020322	1
10	RETAINING RING	68978	1
11	SEAT, INSERT	68482	1
12	O-RING 3/16X5/16	5602008	3
13	BACKUP WASHER	56080087	1
14	MALE TEE 1/8 PIPE TO 1/4	45426	1
15	1/4 FLUSH PLUG W/SEALANT	46509	1
16	UNLOADING PISTON ASSEMBL	SEE PAGE 9	2
17	MALE ELBOW 1/4 TUBE 1/4	45929	1
18	BALL 1/8"	90906	3
19	PISTON BLOCK TUBE G5	46548	1
20	OUTLET TUBE PISTON BLOCK	45815	1
21	BALL 5/16"	91701	3
22	UNLOADING SPRING	43671	1
23	ADJUSTING SCREW G5	45903	1
24	O-RING5/8X3/4 URETH	56020162	1
25	1/16 FLUSH PLUG W/ SEALA	40049	6
27	PLATE-BOTTOM	68849	1
28	GEAR SET 3/8" CLYDESDALE	68855S	1
29	SHAFT-IDLER	68850	1
30	SCREEN	68921	1
31	TUBE-GUIDE .22	68922	2
32	SHCS 1/4-28 X 1 3/4	68255	5
33	PLATE-SCREEN MTG.	68927	1
34	MALE ELBOW 1/8 PIPE	69354	1
35	SPRING	68225	2
36	ROLL PIN 1/8 X 3/4 LONG	97782	1
37	BALL STOP G5	45904	2
38	GASKET 29/64 X 5/8	86269	2
39	SPRING CAP UNLOADING VAL	43673	1
41	TUBE RETURN	68569	1
43	BEARING ROLLER 1 1/4x1 1	66030	1
44	BEARING ROLLER 1/2x11/16	68891	3
45	RING-RETAINING	68892	1
46	1/8 FLUSH PLUG W/SEALANT	46508	1
47	CART REL. VAL. ASSEMBLY	66220SS	1
48	SHAFT SEAL G5	45930	1
49	PISTON BLOCK ASM G-SERIE	SEE PAGE 9	2
50	SOCKET HEAD CAPSCREW	69392	8
51	SPRING	68498	1
52	LEVER-DUMP	68494	1
53	NUT- 10-32 SELF LOCKING	5757040	1
54	SET SCREW #10-32 X 1.0 O	68543	1
55	POW""R BUD DUMP PIN	43344	1
56	O-RING 7/16x9/16	5602013	1
57	DUMP PISTON SEAL	45860	1
58	DUMP PISTON G5	45906	1
59	SPRING	68893	1
60	BALL 3/16"	90548	1
61	CONE, DUMP	68491	1



# G4 Series Electric Power Pump

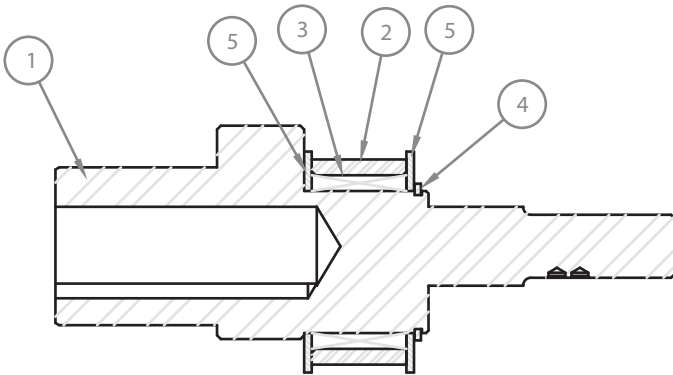
# Sub Component Assemblies

## (45533SS) PISTON BLK ASM.



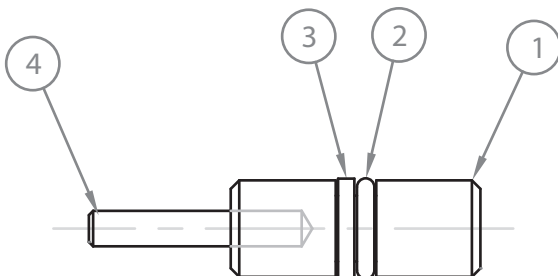
ITEM #	DESCRIPTION	PART #	QTY.
001	PISTON BLOCK G3	45539	1.00
002	BALL 1/8"	90906	2.00
003	SPRING	66042	1.00
004	BALL STOP	68810	1.00
005	BALL RETAINER	66043	1.00
006	INTAKE SEAT	66046	1.00
007	GASKET 25/64X19/32	85726	1.00
008	PLUG PISTON BLOCK	68825	1.00
009	GASKET 29/64 X 5/8	86269	1.00
010	ADAPTER-.290 PISTON	68820	1.00
011	SPRING, PISTON	68340	1.00
012	PISTON-.290 DIA	68819	1.00

## (46745SS) ECCENTRIC SHAFT ASM.



ITEM #	DESCRIPTION	PART #	QTY.
001	ECCENTRIC SHAFT 7/8"	46703	1.00
002	ECCENTRIC RING G5	45907	1.00
003	ROLL BEARI 1 1/8x1 3/8x3/4 WIDE	45926	1.00
004	RETAINING RING EXTERNAL 1 1/8"	45931	1.00
005	THRUST WASHER 1 1/8" ID COAT	68026C	2.00

## (43766SS) UNLOADING PISTON ASM.

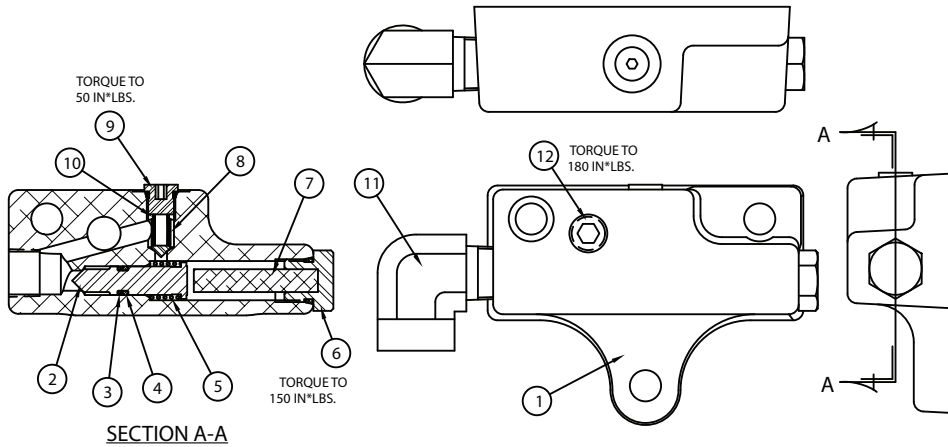


ITEM #	DESCRIPTION	PART #	QTY.
01	UNLOAD PISTON	43765	1.00
02	O RING 1/4X3/8	5602009	1.00
03	BACK-UP WASHER TEF	43768	1.00
04	DOWEL PIN 1/8X3/4 LG	43686	1.00

# G4 Series Electric Power Pump

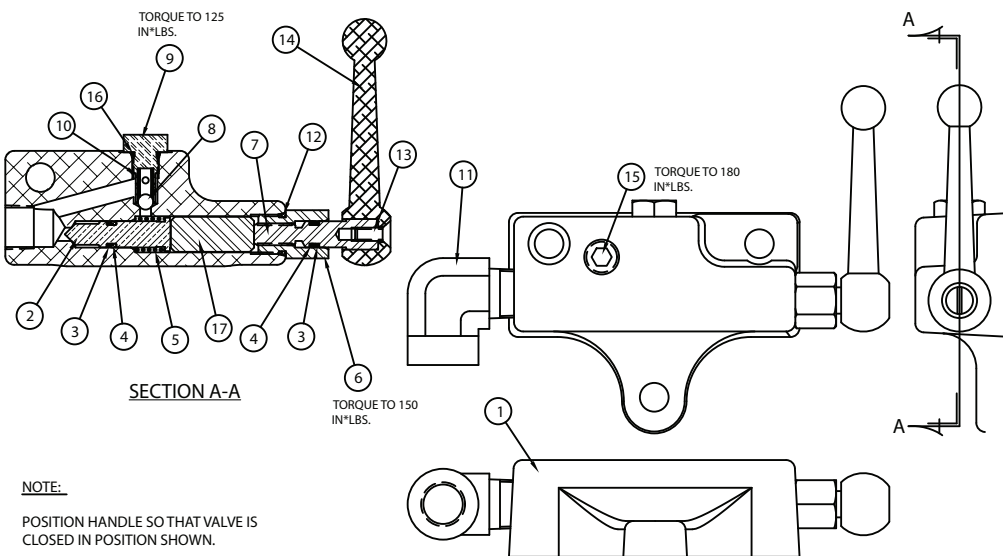
# Valve Assembly

PART#43540SS (DUMP ASM)



ITEM #	DESCRIPTION	PART #	QTY.
1	DUMP VALVE FINISHED	43536P	1
2	DUMP VALVE PISTON	43537	1
3	BACKUP WASH TEF -010	43927	1
4	O RING 1/4X3/8	5602010	1
5	COMPRESSION SPRING	68871	1
6	PLUG SAE #6 PORT	68115	1
7	DUMP VALVE SPACER	43539	1
8	DUMP VALVE CONE 2 WY	44740	1
9	SAE #3 SOC. PLUG	43564	1
10	DUMP VALVE SPRING	43541	1
11	F9 ELBOW 3/8 90 DEGR STRT	18109	1
12	PIPE PLUG	46510	1

PART#43567SS (2 WAY DUMP ASM)



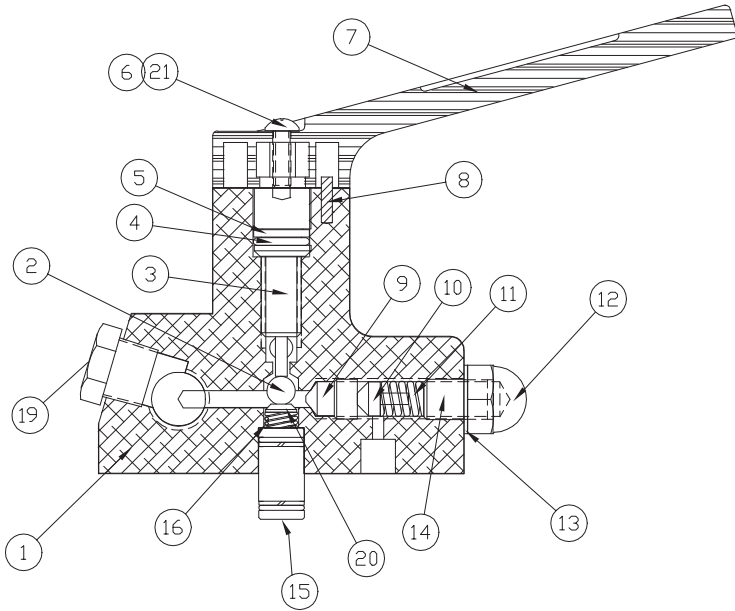
ITEM #	DESCRIPTION	PART #	QTY.
1	DUMP VALVE FINISHED	43536P	1
2	DUMP VALVE PISTON	43537	1
3	BACKUP WASH TEF -010	43927	2
4	O RING 1/4X3/8	5602010	2
5	COMPRESSION SPRING	68871	1
6	ADAPTER	68910	1
7	VALVE STEM 2 WAY	68911	1
8	BALL 7/32DIA.	96006	1
9	DUMP VALVE PLUG	46067	1
10	SPRING 2 WAY VALVE	46068	1
11	F9 ELBOW 3/8 90 DEGR STRT	18109	1
12	O-RING SAE PORT #6	5603906	1
13	FHMS 10-32X.50LG	97156	1
14	LEVER	P6012	1
15	PIPE PLUG	46510	1
16	O-RING SAE PORT #3	5603903	1
17	SPACER 2 WAY VALVE	46069	1

**NOTE:**  
POSITION HANDLE SO THAT VALVE IS CLOSED IN POSITION SHOWN.

# G4 Series Electric Power Pump

# Valve Sub Assembly

## (69094SS) 2 WAY MANUAL



ITEM #	DESCRIPTION	PART#	
		2 WAY VAL.	QTY.
01	2 WAY VALVE	69092	1.00
02	BALL	91701	1.00
03	VALVE STEM	69095	1.00
04	O-RING	5602111	1.00
05	BACKUP WASHER	5608111	1.00
06	SCREW	44595	1.00
07	VALVE HANDLE	69091	1.00
08	ROLL PIN	93835	2.00
09	SEAT - EXT RELIEF	++	1.00
10	CONE - EXT RELIEF	++	1.00
11	SPRING - RELIEF VALVE	++	1.00
12	ACORN NUT	69105	1.00
13	WASHER	69124	1.00
14	ADJUSTING SCREW	69104	1.00
15	ADAPTER ASSY.	68963	1.00
16	SPRING	68384	1.00
NS	PIPE PLUG	84084	1.00
18	1/4 SOC PIPE PLUG	93950	1.00
19	HEX ST. PIPE PLUG	87145	1.00
20	SPRING CAP	69634	1.00
21	LOCKWASHER	Y0010765	1.00

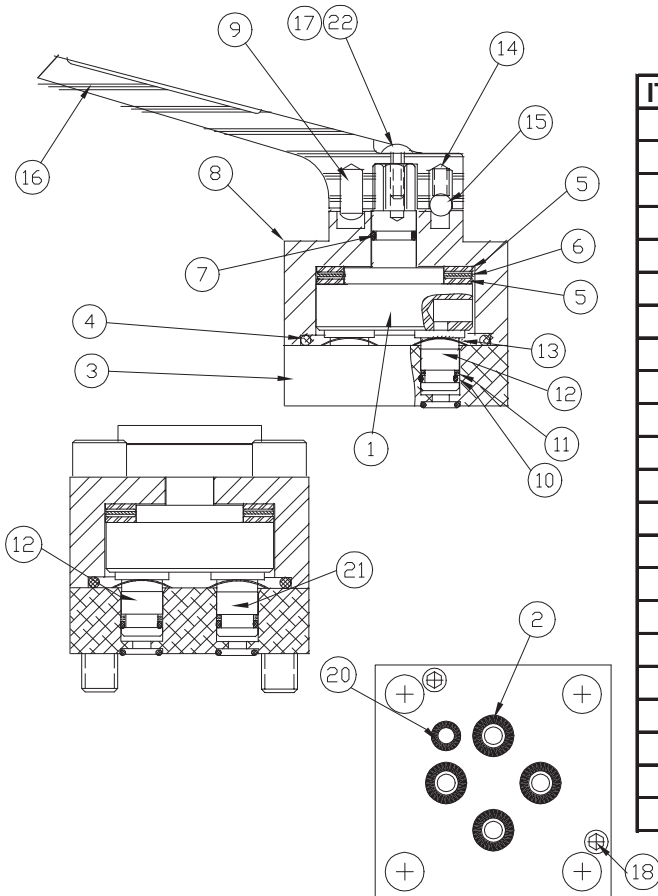
NS = NOT SHOWN

RELIEF REPLACEMENT KIT

(++ = COMPONENTS) -- PART #55057

## (69101SS) 4 WAY MANUAL

## (69691SS) 3 WAY MANUAL



ITEM #	DESCRIPTION	-69691		-69101	
		3 WAY VAL	QTY.	4 WAY VAL	QTY.
01	VALVE ROTOR	43762	1.00	43762	1.00
2	O-RING	*	2.00	*	4.00
03	SUBPLATE- VALVE	68180	1.00	68180	1.00
04	O-RING	*	1.00	*	1.00
05	THRUST WASHER	68026	2.00	68026	2.00
06	THRUST BEARING	68155	1.00	68155	1.00
07	O-RING	*	1.00	*	1.00
08	UPPER VALVE BLOCK	69135	1.00	69135	1.00
09	DRIVE LOK PIN	93804	1.00	93804	1.00
10	O-RING	*	6.00	*	3.00
11	WASHER	*	4.00	*	3.00
12	SHEAR SEAL	68029	3.00	68029	1.00
13	SPRING WASHER	68028	4.00	68028	3.00
14	DETENT SPRING	68025	1.00	68025	1.00
15	BALL	92549	1.00	92549	1.00
16	VALVE HANDLE	69091	1.00	69091	1.00
17	SCREW	44595	1.00	44595	1.00
18	SCREW	85317	2.00	85317	2.00
NS	SCREW	93598	4.00	93598	4.00
20	O-RING	*	1.00	*	1.00
21	SHEAR SEAL	68181	1.00	68181	2.00
22	LOCKWASHER	Y0010765	1.00	Y0010765	1.00

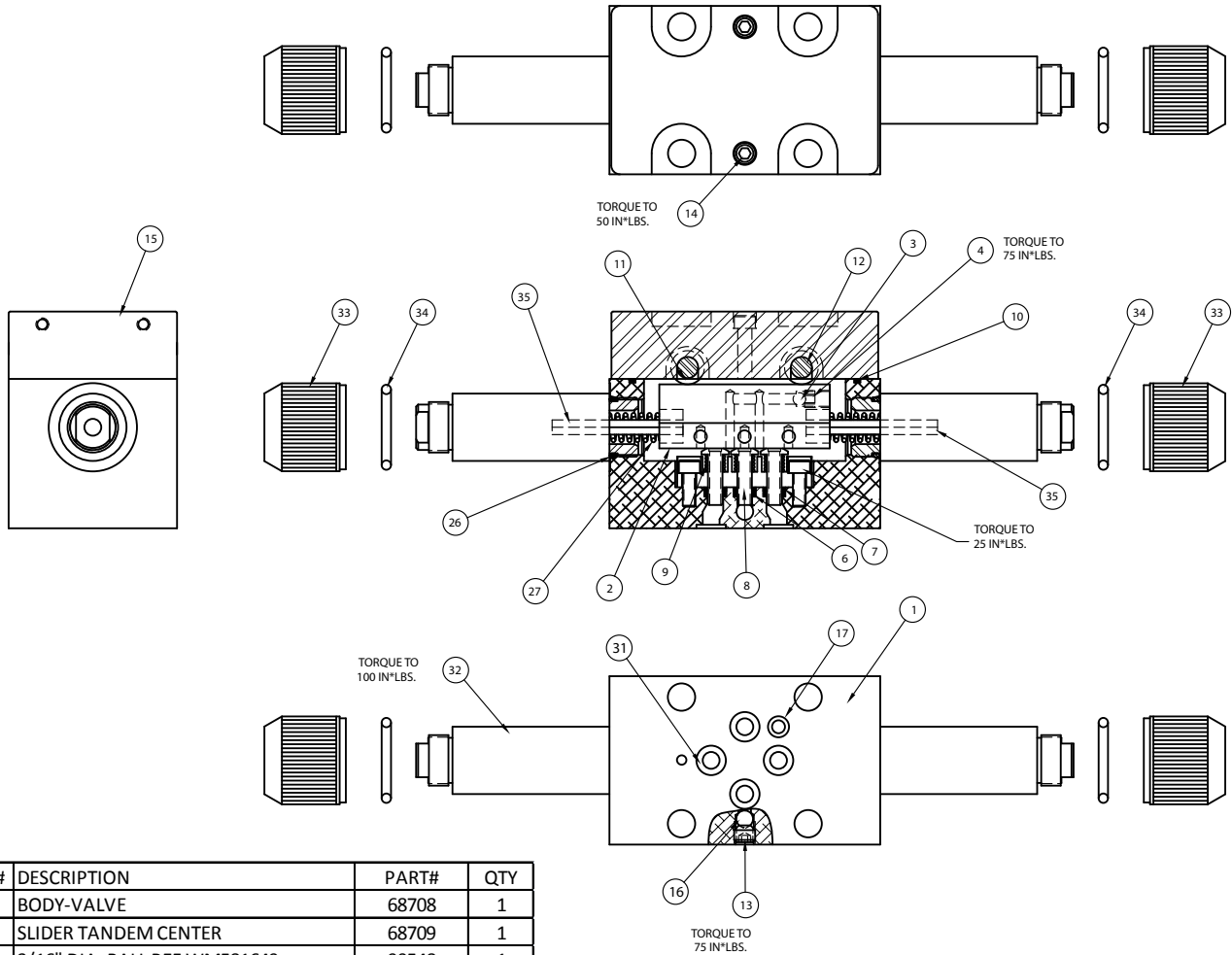
PACKING KIT 3 & 4 WAY MANUAL VALVE

(\* = COMPONENTS) -- PART # 54490

# G4 Series Electric Power Pump

# Valve Sub Assemblies

## (46285SS) 4 WAY SOLENOID VALVE



ITEM #	DESCRIPTION	PART#	QTY
1	BODY-VALVE	68708	1
2	SLIDER TANDEM CENTER	68709	1
3	3/16" DIA. BALL REF WM581649	90548	1
4	SET SCREW 1/4-28 X 1/4 CUP	40254	1
6	O RING REF M792041	*	3
7	BACK UP WASHER	*	3
8	SHEAR SEAL	68383	3
9	SPRING	68384	3
10	O-RING 2 5/8 X 2 3/4	*	1
11	BEARING ROLLER 5/16x1/2x5/16 WIDE	68385	4
12	PIN BEARING	68390	2
13	SET SCREW 5/16-18 X 1/4 CUP	94418	1
14	SHCS #10-32 X 1" LG PLATED	68264	2
15	VALVE TOP PLATE MACHINED	46272	1
16	1/4" DIA. BALL	92549	1
17	O-RING (.19x.31x.06)BUNA	*	1
26	O RING	*	2
27	SPRING	68711	2
31	O-RING 5/16X7/16 URE	*	4
+ 32	PUSHER-SOLENOID	68729SS	2
33	RETAINER	++	2
34	O-RING	++	2
35	PUSHER PIN	++	2

\* PACKING KIT 4 WAY SOLENOID VALVE 54491

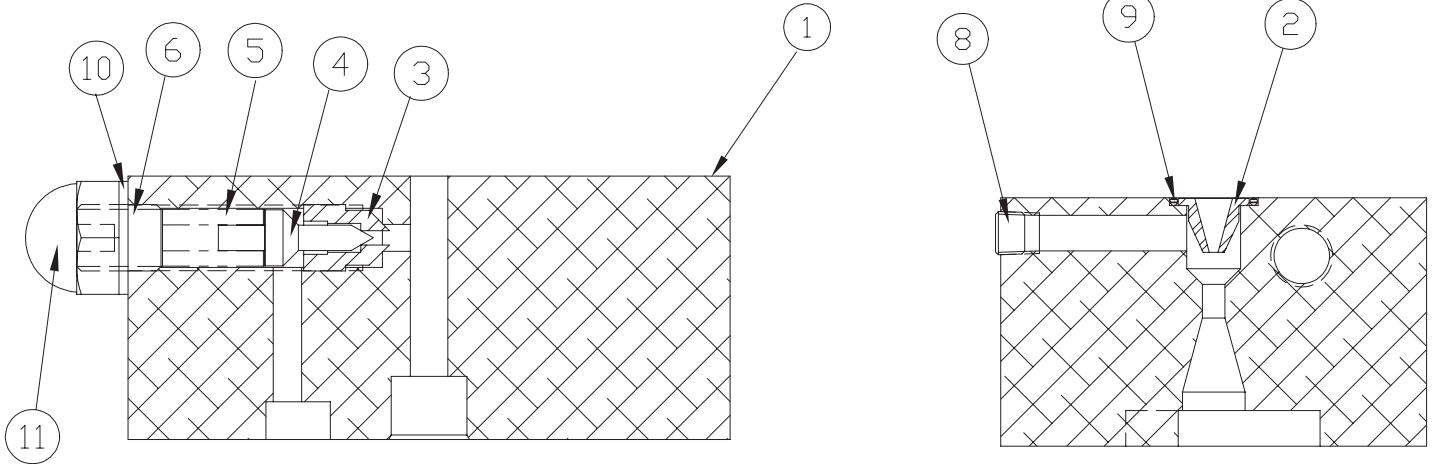
+ PUSHER-SOLENOID CONTAINS SPOOL ASSEMBLY, RETAINER, O-RING & PUSHER PIN

++ PUSHER REPAIR KIT 68729RK  
CONTAINS 1 EACH OF RETAINER, O-RING & PUSHER PIN

# G4 Series Electric Power Pump

# Manifold Sub Assemblies

## (69570SS) 3 WAY STANDARD



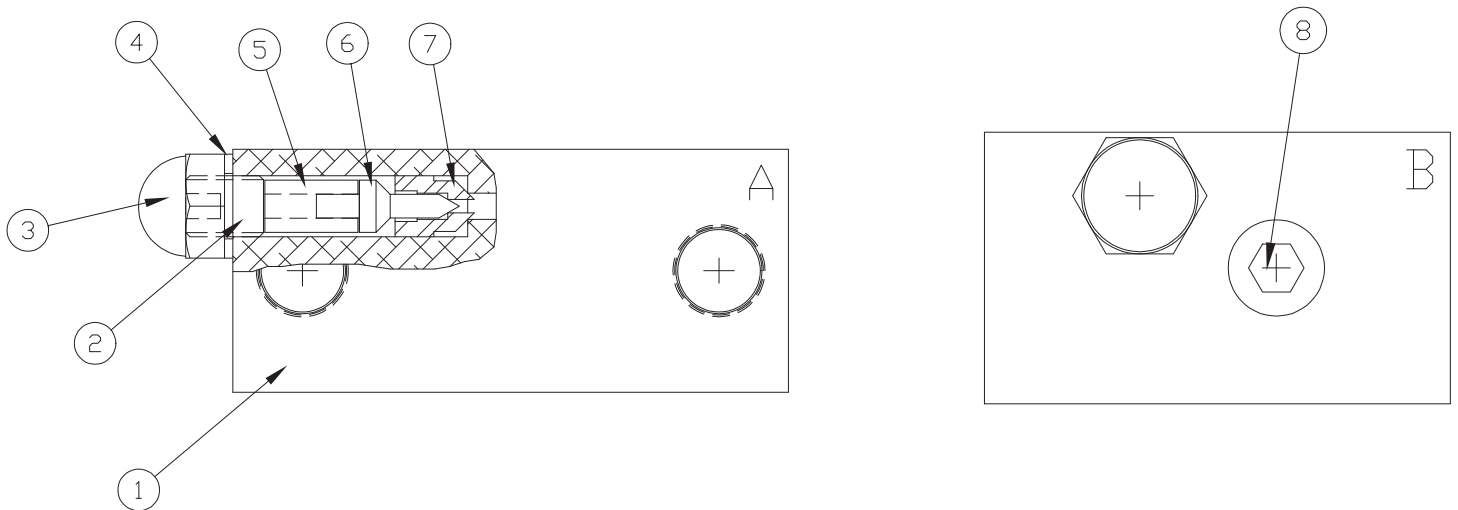
ITEM#	DESCRIPTION	PART#	
		3 WAY MAN. ASM	QTY.
01	RET. VALVE MANIFOLD	69569	1.00
02	NOZZLE-VALVE	68197	1.00
03	SEAT - EXT RELIEF	*	1.00
04	CONE - EXT RELIEF	*	1.00
05	SPRING - RELIEF VALVE	*	1.00
6	ADJUSTING SCREW	69104	1.00

ITEM#	DESCRIPTION	PART#	
		3 WAY MAN. ASM	QTY.
NS	PIPE PLUG	84084	3.00
08	PIPE PLUG-FLUSH	40049	2.00
09	O-RING	5602014	1.00
10	WASHER	69124	1.00
11	ACORN NUT	69105	1.00

NS = NOT SHOWN

RELIEF REPLACEMENT KIT (\* = COMPONENTS) -- PART # 55057

## (69100SS) 4 WAY STANDARD



ITEM#	DESCRIPTION	PART#	
		4 WAY MAN. ASM	QTY.
01	VALVE MANIFOLD	69099	1.00
02	ADJUSTING SCREW	69104	1.00
03	ACORN NUT	69105	1.00
4	WASHER	69124	1.00

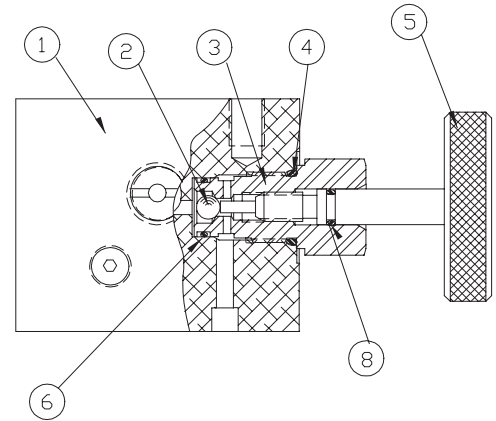
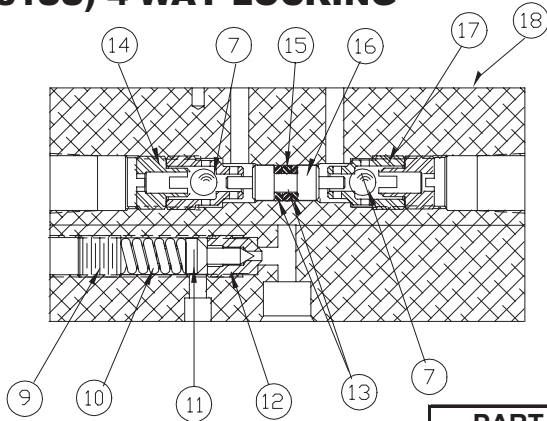
ITEM#	DESCRIPTION	PART#	
		4 WAY MAN. ASM	QTY.
05	SPRING - RELIEF VALVE	*	1.00
06	CONE - EXT RELIEF	*	1.00
07	SEAT - EXT RELIEF	*	1.00
08	PIPE PLUG	84084	2.00

RELIEF REPLACEMENT KIT (\* = COMPONENTS) -- PART # 55057

# G4 Series Electric Power Pump

# Manifold Sub Assemblies

## (68581SS) 4 WAY LOCKING

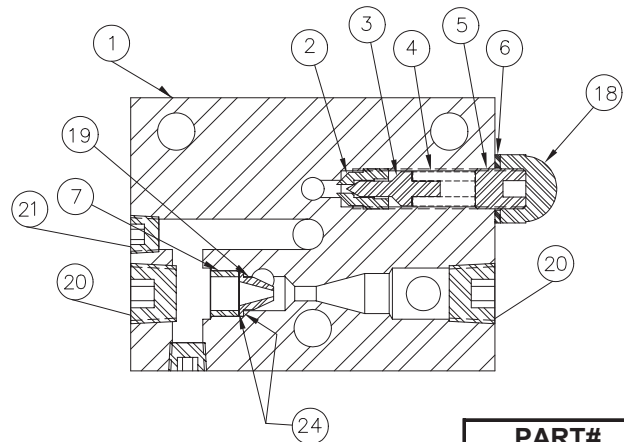
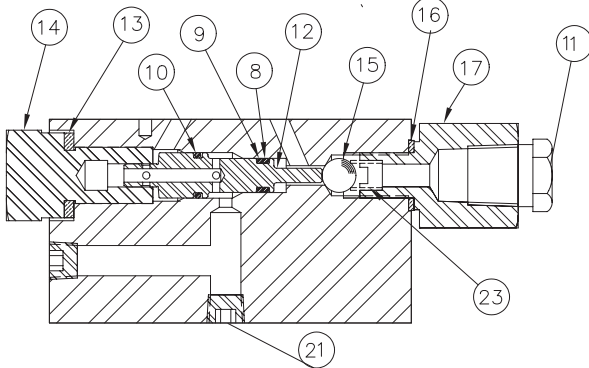


ITEM #	DESCRIPTION	PART #	QTY.
01	VALVE BODY LOCK VAL	68591	1.00
02	BALL	92549	1.00
03	RELEASE GLAND	68637	1.00
04	O-RING	*	1.00
05	RELEASE SCREW ASM	89435	1.00
06	O-RING	*	1.00
07	BALL	92526	2.00
08	O RING	*	1.00
09	RELIEF VALVE ADJ SCREW	66083	1.00

ITEM #	DESCRIPTION	PART #	QTY.
10	SPRING - RELIEF VALVE	++	1.00
11	CONE - EXT RELIEF	++	1.00
12	SEAT - EXT RELIEF	++	1.00
13	BU-WASHER	*	2.00
14	BALL RETAINER	68589	2.00
15	O-RING	5602106	1.00
16	SPOOL-LOCK VALVE	68636	1.00
17	SEAT	68590	2.00
18	PIPE PLUG	82552	1.00

RELIEF REPLACEMENT KIT (++ = COMPONENTS) -- PART # 55057  
 PACKING KIT 3 & 4 WAY LOCK VALVE (\* = COMPONENTS) -- PART #54492

## (69621SS) 3 WAY LOCKING



ITEM#	DESCRIPTION	PART#	QTY.
01	VLV BODY LOCKING	69573	1.00
02	SEAT - EXT RELIEF	++	1.00
03	CONE - EXT RELIEF	++	1.00
04	SPRING - RELIEF VALVE	++	1.00
05	SCREW	69104	1.00
06	WASHER	69124	1.00
07	RETAINING SLEEVE	69620	1.00
08	O RING	*	1.00
09	BACK-UP WASHER	*	1.00
10	O-RING	*	1.00
11	HEX ST. PIPE PLUG	87145	1.00
12	SPOOL	69574	1.00

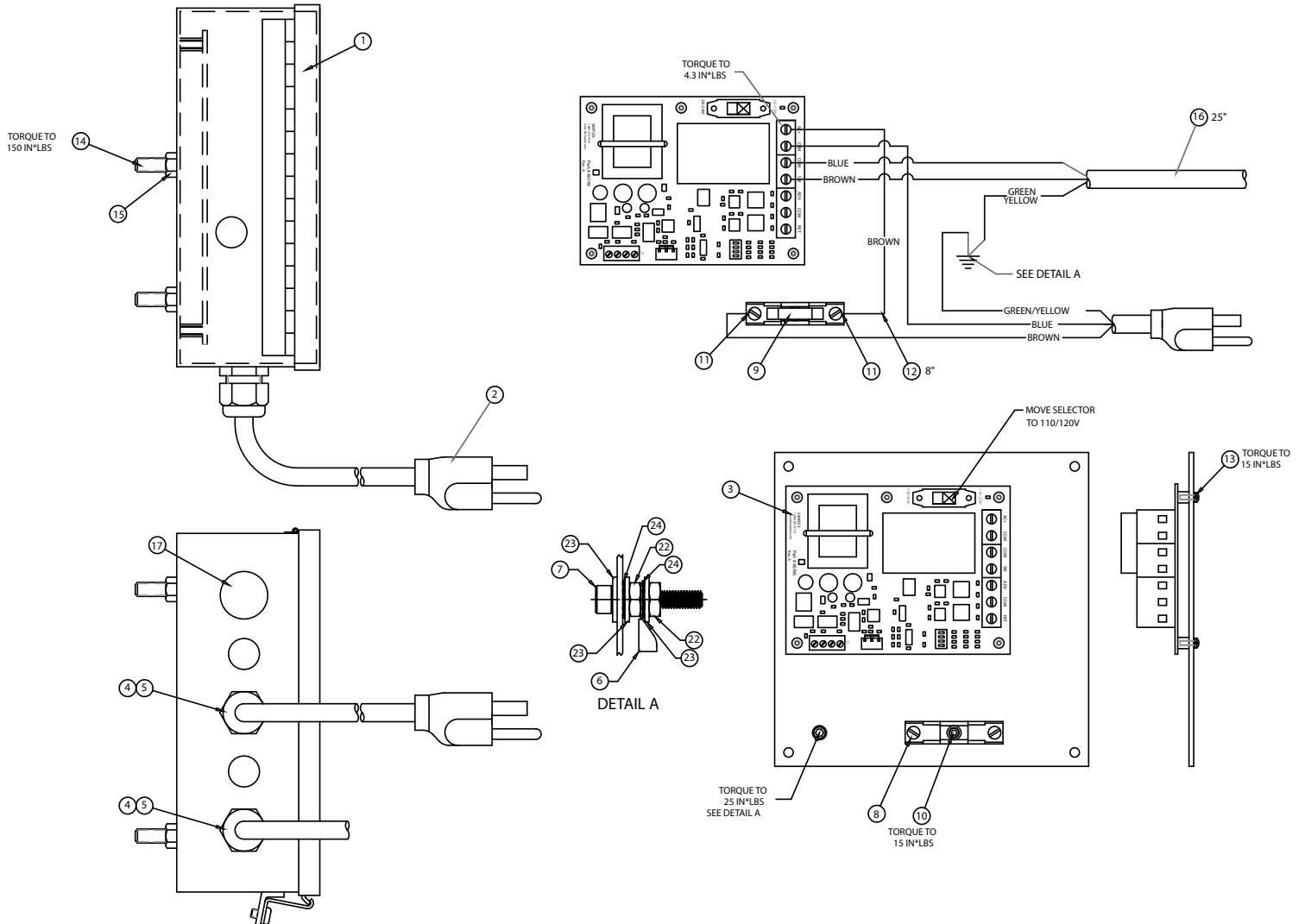
ITEM#	DESCRIPTION	PART#	QTY.
13	GASKET-PLUG	68183	1.00
14	PLUG-SPOOL	68184	1.00
15	BALL	92550	1.00
16	GASKET WASHER	68080	1.00
17	PORT ADAPTER	68187	1.00
18	ACORN NUT	69105	1.00
19	NOZZLE-VALVE	68197	1.00
20	PIPE PLUG 3/8"	84084	2.00
21	PIPE PLUG 1/8"	81093	3.00
NS	1/16 PIPE PLUG-	40049	2.00
23	COMPRESSION SPRING	68188	1.00
24	LOCTITE	41828	0.10

PACKING KIT 3 & 4 WAY LOCK VALVE (\* = COMPONENTS) -- PART #54492  
 RELIEF REPLACEMENT KIT (++ = COMPONENTS) -- PART # 55057

# G4 Series Electric Power Pump

# Control Box Assemblies

(46737SS) Control Box 115 V.



ITEM #	DESCRIPTION	PART #	QTY.
001	CONTROL BOX MACH G4 PUMPS	46736	1.00
002	PLUG AND CORD ASSY	68595	1.00
003	CIRCUIT BOARD BASIC	46196	1.00
004	FITTING,CORD L-TIGHT	68375	2.00
005	LOCKNUT 1/2 INCH	85510	2.00
006	RING TERMINAL 1/4"	69917	1.00
007	SHCS #10-32 LG 1" PLATED	68264	1.00
008	FUSE HOLDER 30 AMP	46481	1.00
009	FUSE 25 AMP	46482	1.00
010	SHCS #6-32 x 1/4 LONG	46506	1.00
011	SPADE TERMINAL	68116	2.00
012	HOOK UP WIRE 14 GA BROWN	46676	0.67
013	MACHINE SCREW W/ LOCK WASHER #6-32	46248	5.00
014	HHCS 5/16-18 X 1.0	95059	4.00
015	HEX NUT 5/16-18 ZINC PLTD	Y0001045	4.00
016	POWER CORD 14-3 IEC	69604R	2.083
017	HOLE PLUG 7/8 THIN	44680	1.00
022	HEX JAM NUT #10-32	89958	2.00
023	WASHER	B1086108	3.00
024	LOCKWASHER #10	Y0010765	2.00



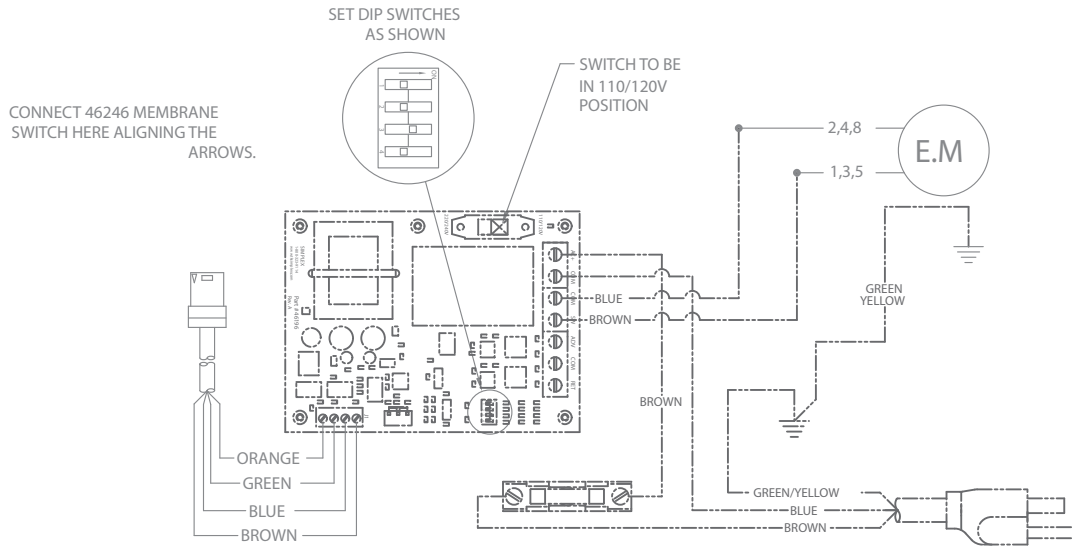




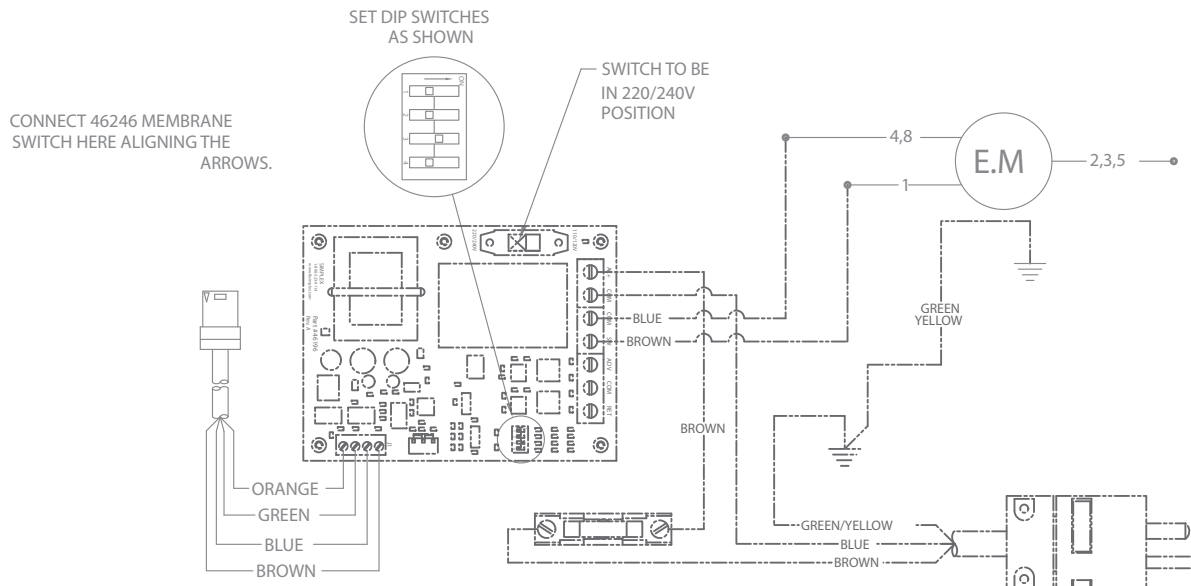
# G4 Series Electric Power Pump

# Wire Configurations

## MOTOR CONTROL WIRING DIAGRAM 115V.



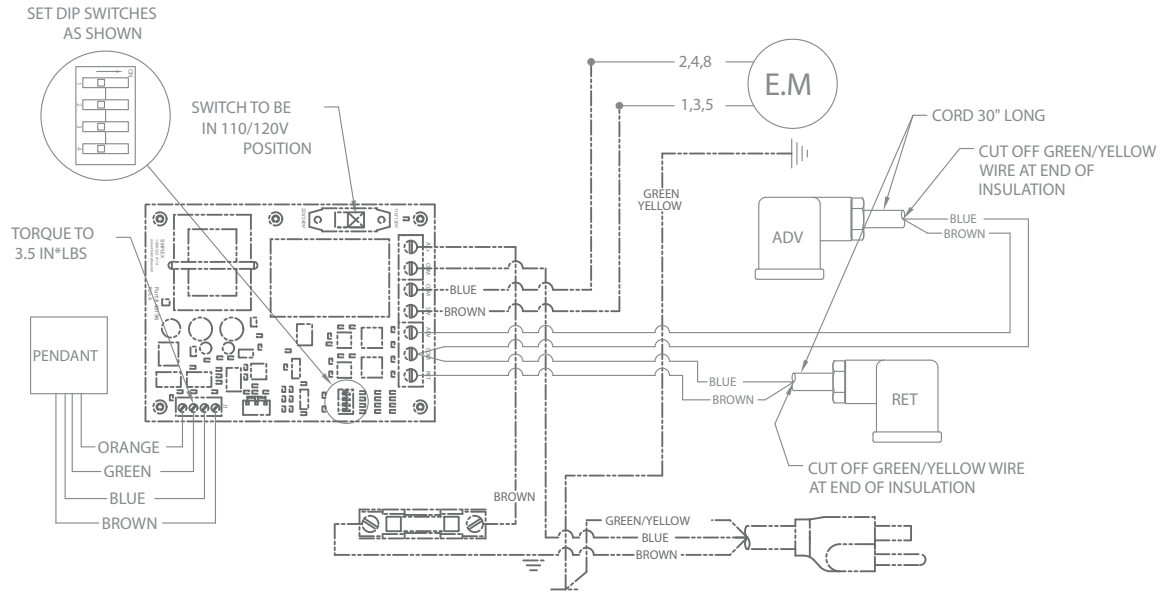
## MOTOR CONTROL WIRING DIAGRAM 230V.



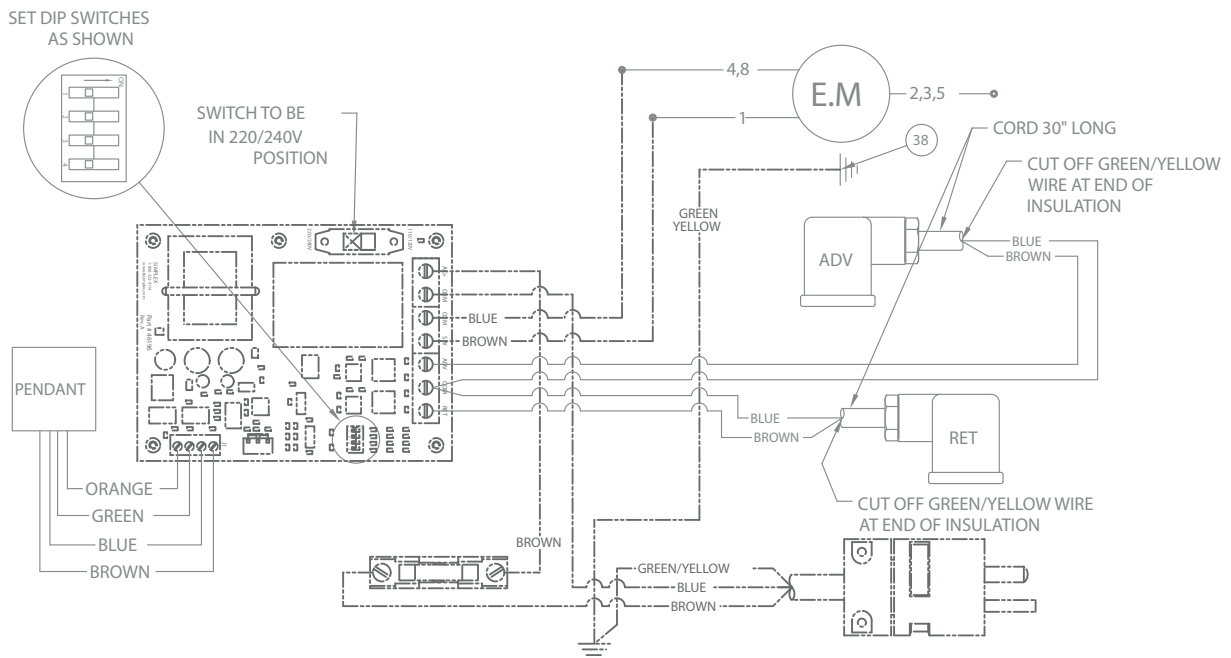
# G4 Series Electric Power Pump

# Wire Configurations

## SOLENOID CONTROL WIRING DIAGRAM 115V.



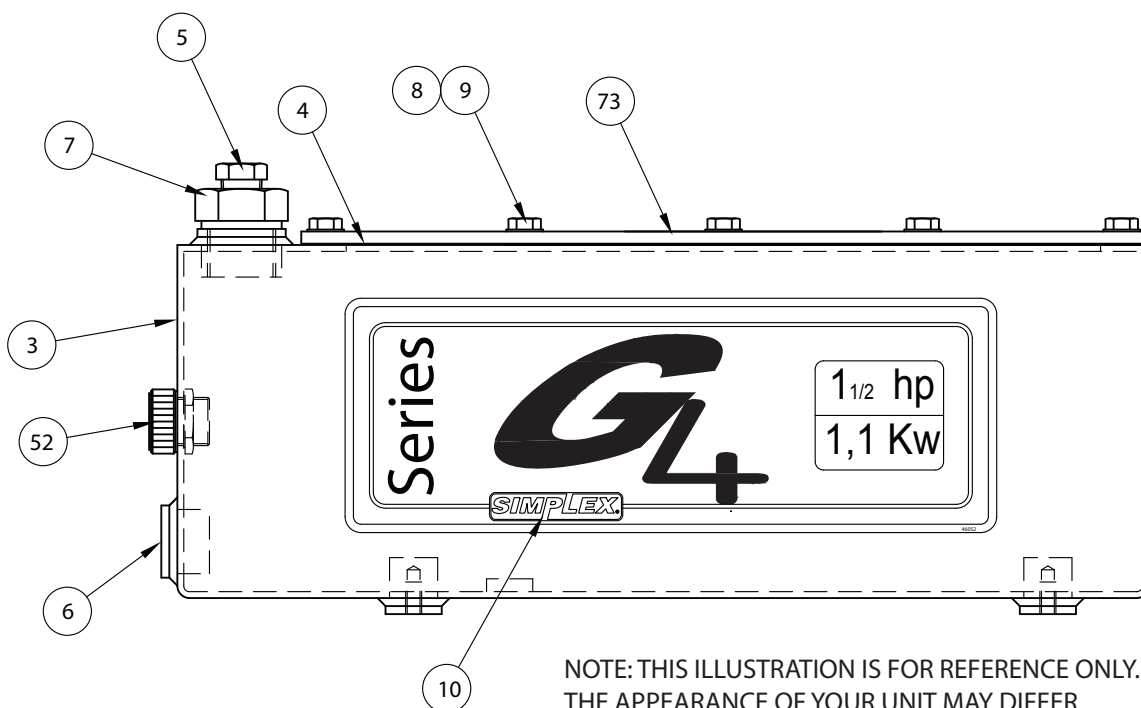
## SOLENOID CONTROL WIRING DIAGRAM 230V.



# G4 Series Electric Power Pump

# Reservoirs

- (45996P) 1.5 GALLON RESERVIOR**
- (46213P) 2.5 GALLON RESERVIOR**
- (46046P) 5.0 GALLON RESERVIOR**
- (46048P) 10 GALLON RESERVIOR**
- (DS1256025) 20 GALLON RESERVIOR**



NOTE: THIS ILLUSTRATION IS FOR REFERENCE ONLY. THE APPEARANCE OF YOUR UNIT MAY DIFFER FROM UNIT SHOWN.

ITEM #	DESCRIPTION	1.5 GALLON	2.5 GALLON	5.0 GALLON	10 GALLON	20 GALLON	QTY.
03	RESERVOIR	45996P	46213P	46046P	46048P	DS1256025	1.00
04	RESERVOIR GASKET	85469	85469	85469	85469	85469	1.00
05	BREATHER VENT 3/8" NPT	46348	46348	46348	46348	46348	1.00
06	PLUG	46697	46697	46697	46697	46697	1.00
07	SAE #12 HEX PLUG WITH PORT	46118	46118	46118	46118	46118	1.00
08	HHCS 1/4-20 x 3/4 LG PLATED	65891	65891	65891	65891	65891	14.00
09	SEALING WASHER	65892	65892	65892	65892	65892	14.00
10	G4 RESERVOIR DECAL	46635	46635	46635	46635	46635	2.00
52	SIGHT GAUGE	46009	46009	46009	46009	46009	1.00
73	COVER PLATE	45905	45905	45905	45905	45905	1.00
NS	PIPE COUPLING 1/4	N/A	N/A	N/A	80241	80241	1.00
NS	NIPPLE	N/A	N/A	N/A	88058	88058	1.00

**NS = NOT SHOWN**

NOTE: ALL RESERVOIRS ARE POWDER COATED BLACK