

Specifications

Units: **Imperial** Metric

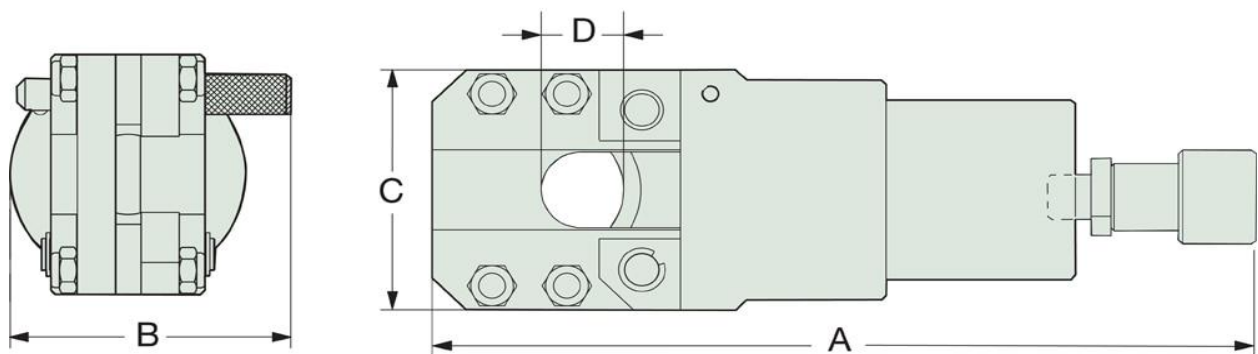
Maximum Operating Pressure (psi)	10,150
Capacity (imperial tons)	12
Lead Cable Cutting Capacity (in)	4.72
Underground Cable Cutting Capacity (in)	4.72
Telephone Cable Cutting Capacity (in)	4.72
Steel Wire Rope Cutting Capacity (in)	Not recommended
Aluminum Wire Rope Cutting Capacity (in)	1.37
Weight (lbs)	25.8

Dimensions

Units: **Imperial** Metric

Dimension A (in)	24.7
Dimension D (in)	4.8

HCCS* and HCCD Series



* HCCS models feature one 3/8" NPT female coupler, HCCD model features two 3/8" NPT female couplers