



Repair Parts Sheet

High Tonnage Hydraulic Cylinders HCL-Series

Document Number	Document Revision	Document Revision Date	Product Date Code Beginning With
L4177	C	12/2020	A

NOTICE:

Enerpac recommends the installation of all parts included in a service assembly or repair kit to ensure optimum performance of the repaired product.

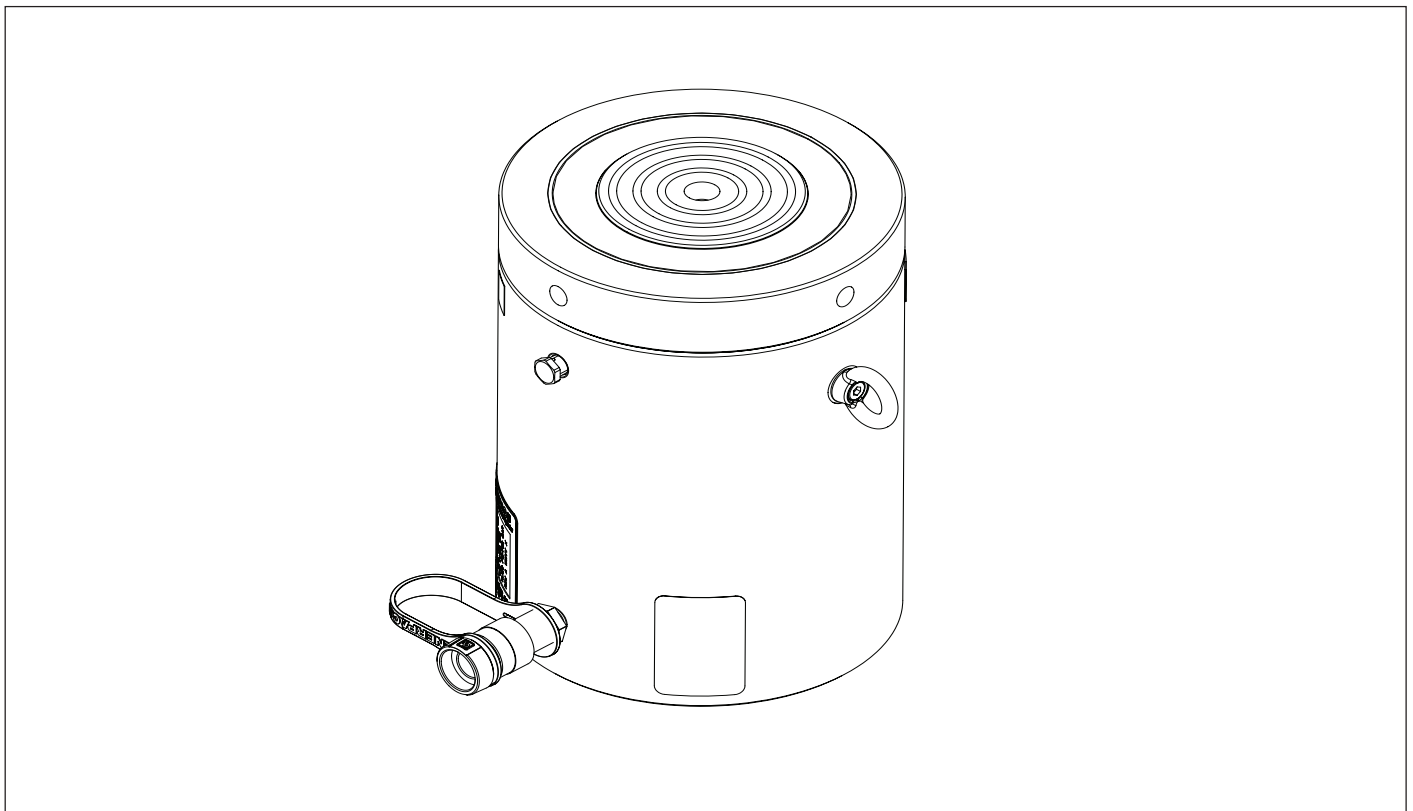
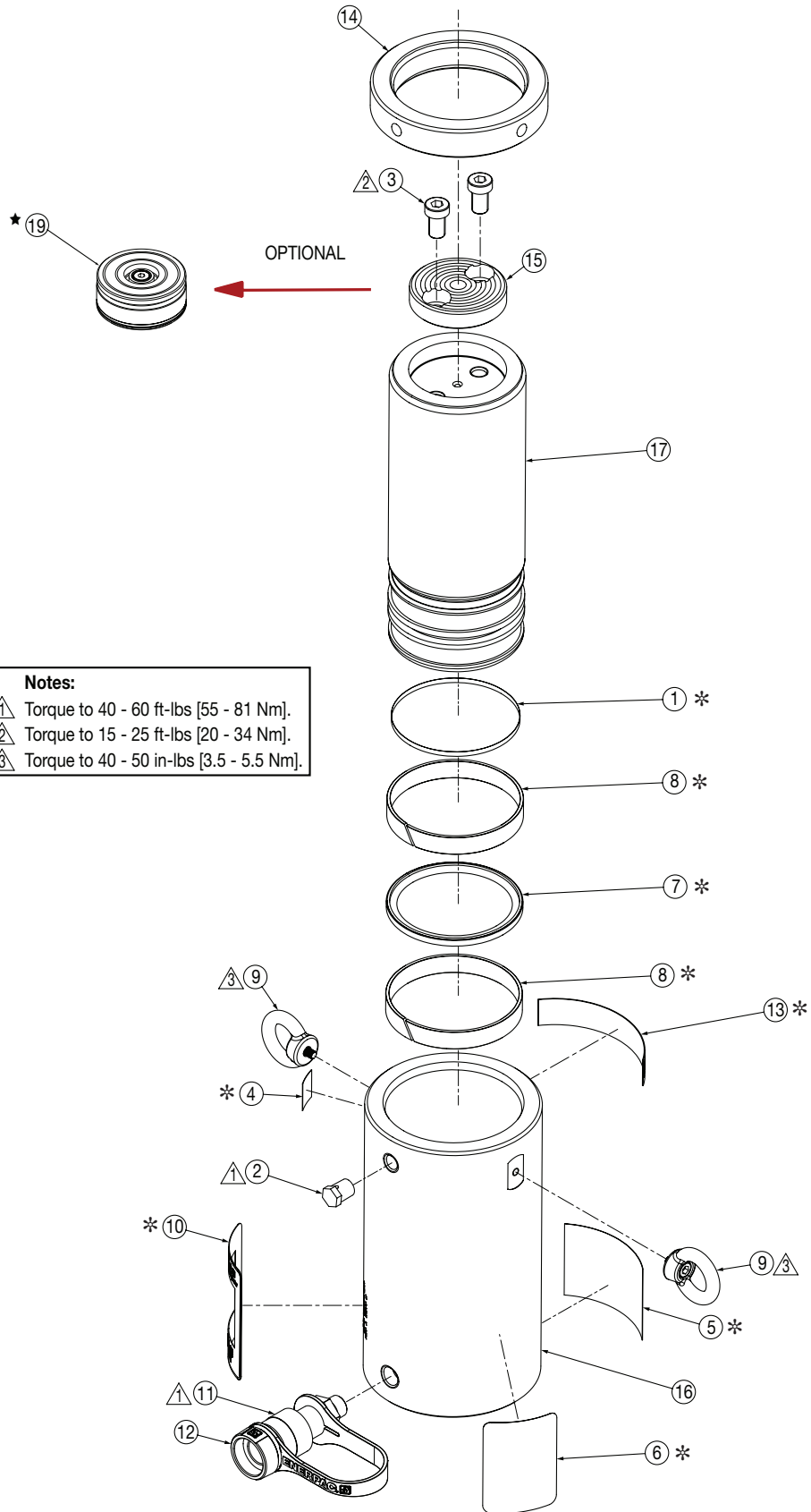


Table of Contents:

	Page	Page	
Figure 1, Model HCL-50	2-3	Figure 3, Model HCL-150	6-7
Figure 2, Model HCL-100	4-5	Figure 4, Model HCL-200	8-9

Figure 1, Exploded View - Model HCL-50

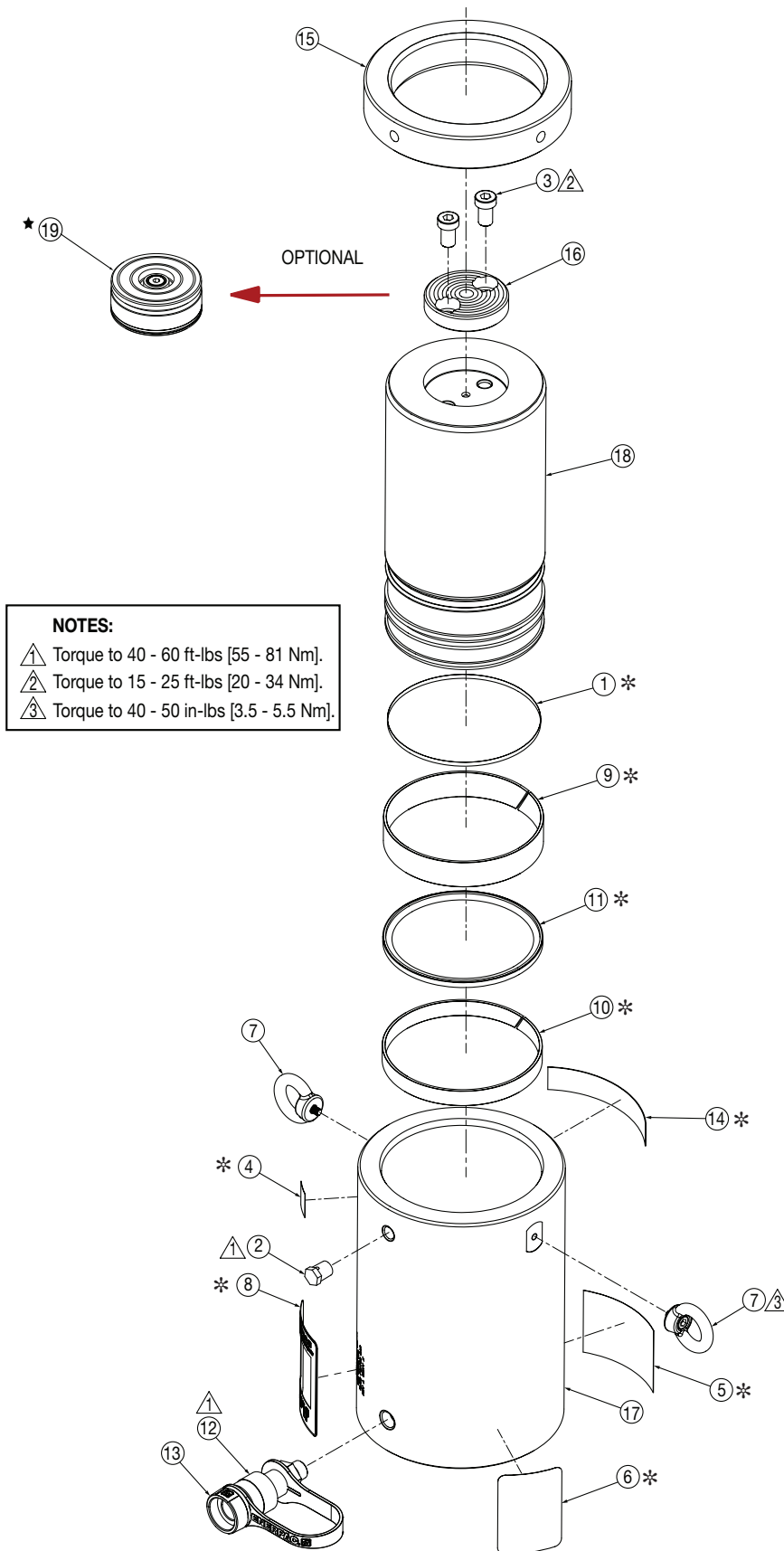


Repair Parts List for Figure 1

Item	Part Number	Qty.	Description
1	* BSS5145D	11.75"	Strip, Red 1/4" Wide
2	BSS6348D	1	Plug
3	CBE1221028-1D	2	Screw, Low Head SHC M12 x 20 Zinc
4	* CU765026	1	Warning Decal, 0.75" x 0.94"
5	* DA3128026	1	Plunger Caution Warning Decal
6	* DA5625026	1	Warning Decal, 2.19" x 3.18"
7	* DB8051076	1	Piston Seal 100 x 84,5 x 6,3
8	* DB8053155	2	Bearing, Piston 100 x 15
9	DB8099667	2	Eyebolt, Rotating, M6
10	* DB8100026	1	Decal, Product Specification
11	CR400	1	Female Coupler
12	CD411D	1	Dust Cap
13	* DD2459026	1	Decal, Enerpac
14	HCL50008	1	Lock Nut HCL 50 Ton
15	HCL50045	1	Saddle HCL 50 Ton
16	N/A	1	Base HCL 50 Ton 50 mm
	N/A	1	Base HCL 50 Ton 100 mm
	N/A	1	Base HCL 50 Ton 150 mm
	N/A	1	Base HCL 50 Ton 200 mm
	N/A	1	Base HCL 50 Ton 250 mm
	N/A	1	Base HCL 50 Ton 300 mm
17	HCL502040	1	Plunger HCL 50 Ton 50 mm
	HCL504040	1	Plunger HCL 50 Ton 100 mm
	HCL506040	1	Plunger HCL 50 Ton 150 mm
	HCL508040	1	Plunger HCL 50 Ton 200 mm
	HCL5010040	1	Plunger HCL 50 Ton 250 mm
	HCL5012040	1	Plunger HCL 50 Ton 300 mm
★18	CATS100	1	Tilting Saddle 100 Ton

*Included in HCL50K Seal Kit. N/A - Not Available. ★ Optional item

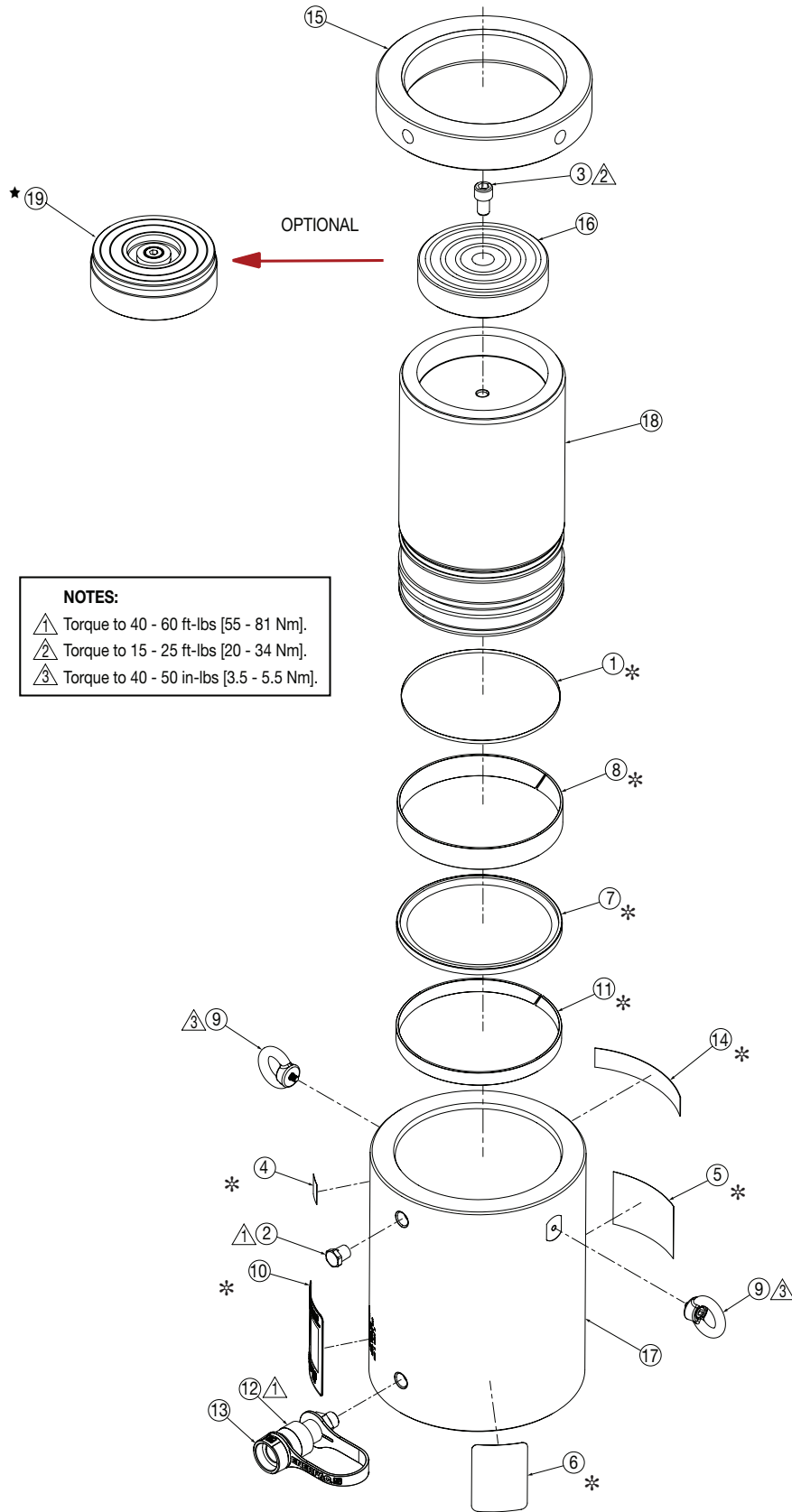
Figure 2, Exploded View - Model HCL-100



Repair Parts List for Figure 2

Item	Part Number	Qty.	Description
1	* BSS5145D	16.25"	Strip, Red 1/4" Wide
2	BSS6348D	1	Plug
3	CBE1221028-1D	2	Screw, Low Head SHC M12 x 20 Zinc
4	* CU765026	1	Warning Decal, 0.75" x 0.94"
5	* DA3128026	1	Plunger Caution Warning Decal
6	* DA5625026	1	Warning Decal, 2.19" x 3.18"
7	DB8099667	2	Eyebolt, Rotating, M6
8	* DB8100026	1	Decal, Product Specification
9	* DB8110155	1	Bearing, Piston 135 x 25
10	* DB8169155	1	Bearing, Piston 135 x 15
11	* DB8172076	1	Piston Seal 135 x 119,5 x 6,3
12	CR400	1	Female Coupler
13	CD411D	1	Dust Cap
14	* DD2459026	1	Decal, Enerpac
15	HCL100008	1	Lock Nut HCL 100 Ton
16	HCL50045	1	Saddle HCL 50 Ton
17	N/A	1	Base HCL 100 Ton 50 mm
	N/A	1	Base HCL 100 Ton 100 mm
	N/A	1	Base HCL 100 Ton 150 mm
	N/A	1	Base HCL 100 Ton 200 mm
	N/A	1	Base HCL 100 Ton 250 mm
	N/A	1	Base HCL 100 Ton 300 mm
18	HCL1002040	1	Plunger HCL 100 Ton 50 mm
	HCL1004040	1	Plunger HCL 100 Ton 100 mm
	HCL1006040	1	Plunger HCL 100 Ton 150 mm
	HCL1008040	1	Plunger HCL 100 Ton 200 mm
	HCL10010040	1	Plunger HCL 100 Ton 250 mm
	HCL10012040	1	Plunger HCL 100 Ton 300 mm
★19	CATS100	1	Tilting Saddle 100 Ton
*Included in HCL100K Seal Kit. N/A - Not Available. ★ Optional item			

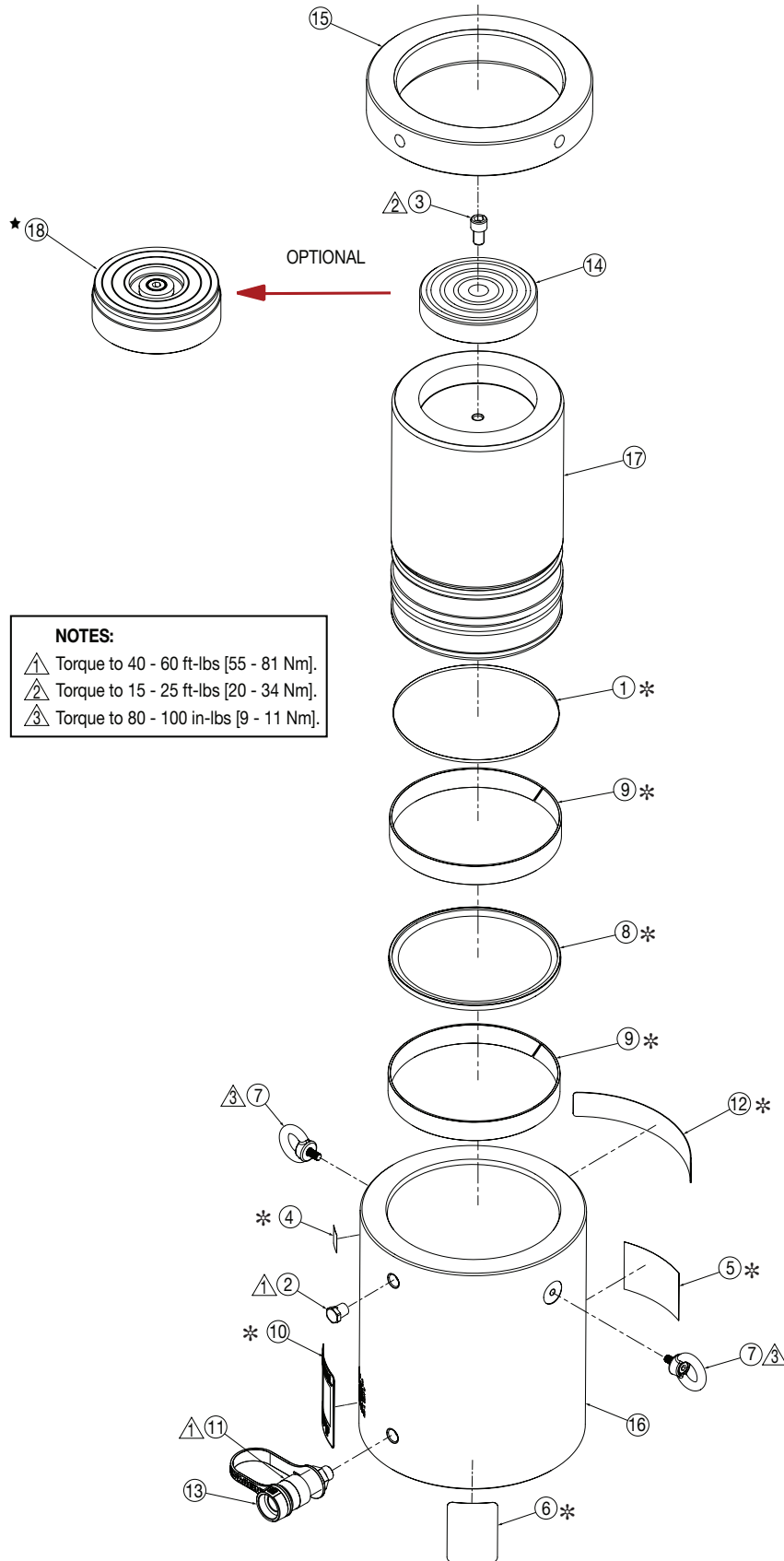
Figure 3, Exploded View - Model HCL-150



Repair Parts List for Figure 3

Item	Part Number	Qty.	Description
1	* BSS5145D	19.75"	Strip, Red 1/4" Wide
2	BSS6349D	1	Plug
3	CBE1221028-1A	1	M12 x 20 Long SHCS
4	* CU765026	1	Warning Decal, 0.75" x 0.94"
5	* DA3128026	1	Plunger Caution Warning Decal
6	* DA5625026	1	Warning Decal, 2.19" x 3.18"
7	* DB8064076	1	Piston Seal 165 x 114 x 8,1
8	* DB8070155	1	Bearing, Piston 165 x 25
9	DB8099667	2	Eyebolt, Rotating, M6
10	* DB8100026	1	Decal, Product Specification
11	* DB8170155	1	Bearing, Piston 165 x 15
12	CR400	1	Female Coupler
13	CD411D	1	Dust Cap
14	* DD2459026	1	Decal, Enerpac
15	HCL150008	1	Lock Nut HCL 150 Ton
16	HCL150045	1	Saddle HCL 150 Ton
17	N/A	1	Base HCL 150 Ton 50 mm
	N/A	1	Base HCL 150 Ton 100 mm
	N/A	1	Base HCL 150 Ton 150 mm
	N/A	1	Base HCL 150 Ton 200 mm
	N/A	1	Base HCL 150 Ton 250 mm
	N/A	1	Base HCL 150 Ton 300 mm
18	HCL1502040	1	Plunger HCL 150 Ton 50 mm
	HCL1504040	1	Plunger HCL 150 Ton 100 mm
	HCL1506040	1	Plunger HCL 150 Ton 150 mm
	HCL1508040	1	Plunger HCL 150 Ton 200 mm
	HCL15010040	1	Plunger HCL 150 Ton 250 mm
	HCL15012040	1	Plunger HCL 150 Ton 300 mm
★19	CATS201	1	Tilting Saddle 200 Ton
* Included in HCL150K Seal Kit. N/A - Not Available. ★ Optional item			

Figure 4, Exploded View - Model HCL-200



Repair Parts List for Figure 4

Item	Part Number	Qty.	Description
1	* BSS5145D	22.75"	Strip, Red 1/4" Wide
2	BSS6349D	1	Plug
3	CBE1221028-1A	1	M12 x 20 Long SHCS
4	* CU765026	1	Warning Decal, 0.75" x 0.94"
5	* DA3128026	1	Plunger Caution Warning Decal
6	* DA5625026	1	Warning Decal, 2.19" x 3.18"
7	DB8050667	2	Eyebolt, Rotating, M8
8	* DB8072076	1	Piston Seal 190 x 169 x 8,1
9	* DB8078155	2	Bearing, Piston 190 x 25
10	* DB8100026	1	Decal, Product Specification
11	CR400	1	Female Coupler
12	* DD1042026	1	Decal, Enerpac
13	CD411D	1	Dust Cap
14	HCL150045	1	Saddle HCL 150 Ton
15	HCL200008	1	Lock Nut HCL 200 Ton
16	N/A	1	Base HCL 200 Ton 50 mm
	N/A	1	Base HCL 200 Ton 100 mm
	N/A	1	Base HCL 200 Ton 150 mm
	N/A	1	Base HCL 200 Ton 200 mm
	N/A	1	Base HCL 200 Ton 250 mm
	N/A	1	Base HCL 200 Ton 300 mm
17	HCL2002040	1	Plunger HCL 200 Ton 50 mm
	HCL2004040	1	Plunger HCL 200 Ton 100 mm
	HCL2006040	1	Plunger HCL 200 Ton 150 mm
	HCL2008040	1	Plunger HCL 200 Ton 200 mm
	HCL20010040	1	Plunger HCL 200 Ton 250 mm
	HCL20012040	1	Plunger HCL 200 Ton 300 mm
★18	CATS201	1	Tilting Saddle 200 Ton
* Included in HCL200K Seal Kit. N/A - Not Available. ★ Optional item			



www.enerpac.com