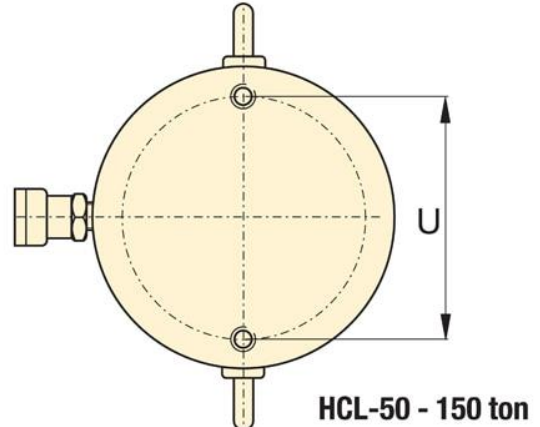
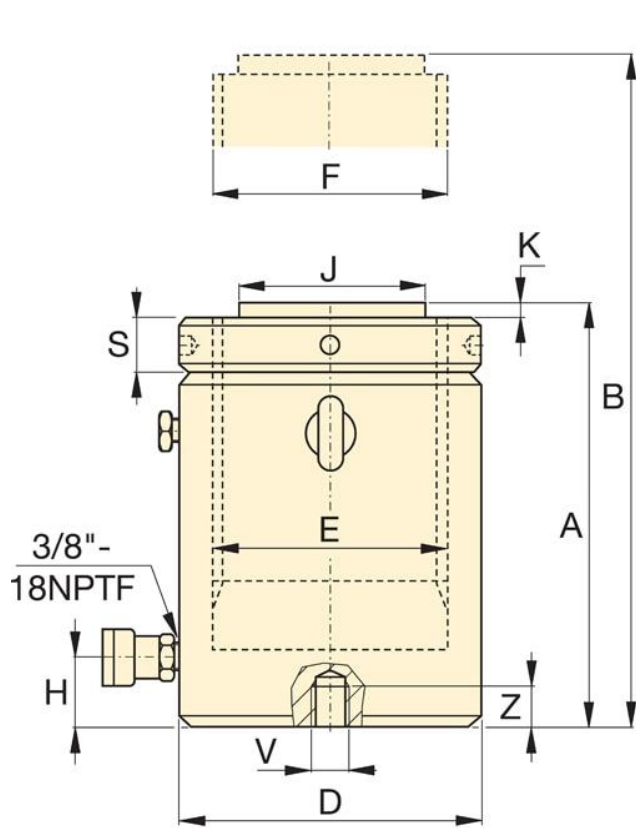


Specification

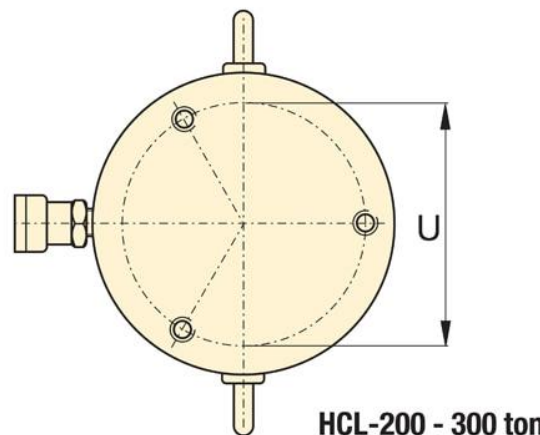
Maximum Operating Pressure (psi)	10,000
Capacity Class (tonnage)	100
Maximum Cylinder Capacity Advance (tons)	113
Stroke (in)	9.84
Collapsed Height A (in)	15.24
Extended Height B (in)	25.08
Return Type	Single-Acting, Load Return
Plunger Type	Solid
Material	Steel
Cylinder Effective Area Advance (in ²)	22.19
Oil Capacity Advance (in ³)	218.37
Sideload Resistance of Maximum Capacity (percentage)	10%
Surface Treatment	Nitride
Coupler	CR400 Coupler
Weight (lbs)	160

Dimensions

Collapsed Height A (in)	15.24
Collapsed Height With Optional Tilt Saddle A1 (in)	15.83
Optional Tilt Saddle Addition To Collapsed Height A1 (in)	0.59
Optional Tilt Saddle Diameter J1 (in)	2.8
Extended Height B (in)	25.08
Outside Diameter D (in)	6.89
Cylinder Bore Diameter E (in)	5.31
Base to Advance Port H (in)	1.3
Saddle Diameter J1 (in)	2.8
Saddle Protrusion from Plunger K (in)	0.08
Saddle Maximum Tilt Angle Radius (degrees)	5
Base Mounting Holes Thread V	M12 x 1,75



HCL-50 - 150 ton



HCL-200 - 300 ton