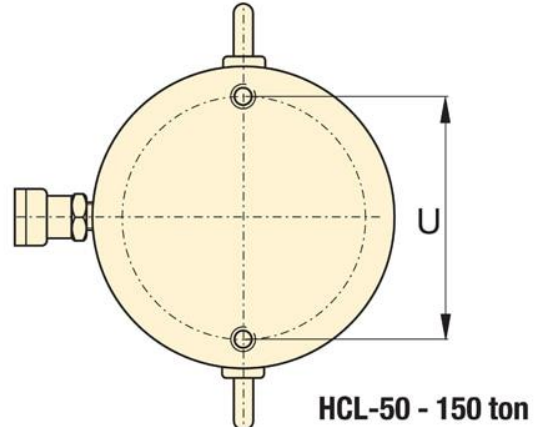
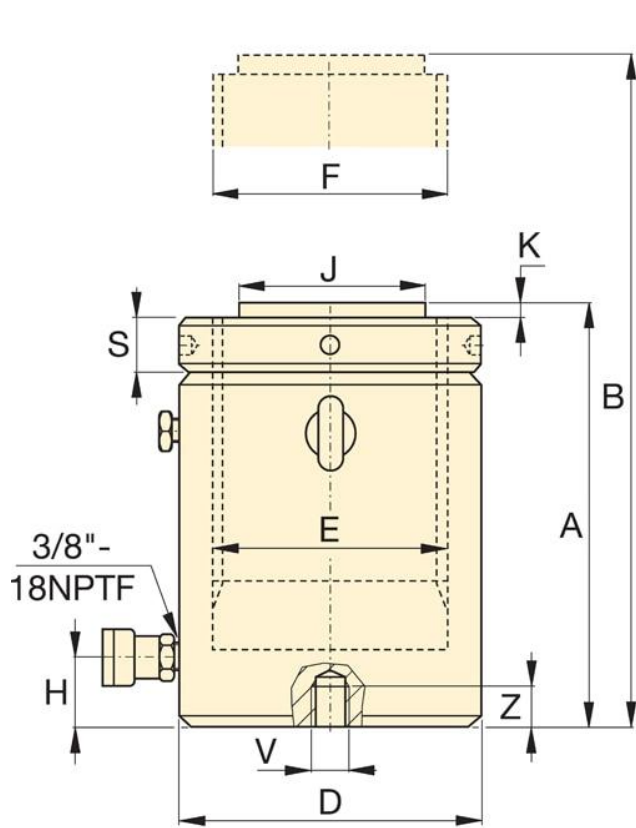


# Specification

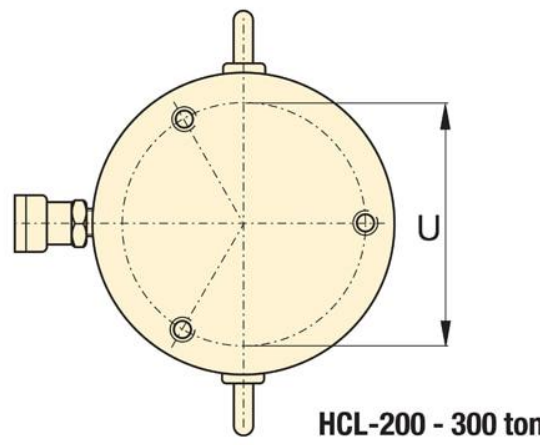
|  |                            |
|--|----------------------------|
| Maximum Operating Pressure (psi)                     | 10,000                     |
| Capacity Class (tonnage)                             | 150                        |
| Maximum Cylinder Capacity Advance (tons)             | 168                        |
| Stroke (in)  | 11.81                      |
| Collapsed Height A (in)                              | 18.07                      |
| Extended Height B (in)                               | 29.88                      |
| Return Type  | Single-Acting, Load Return |
| Plunger Type   | Solid                      |
| Material   | Steel                      |
| Cylinder Effective Area Advance (in <sup>2</sup> )   | 33.14                      |
| Oil Capacity Advance (in <sup>3</sup> )              | 391.45                     |
| Sideload Resistance of Maximum Capacity (percentage) | 10%                        |
| Surface Treatment                                    | Nitride                    |
| Coupler  | CR400 Coupler              |
| Weight (lbs)   | 287                        |

# Dimensions

|   |            |
|---|------------|
| Collapsed Height A (in)                                   | 18.07      |
| Collapsed Height With Optional Tilt Saddle A1 (in)        | 18.70      |
| Optional Tilt Saddle Addition To Collapsed Height A1 (in) | 0.71       |
| Optional Tilt Saddle Diameter J1 (in)                     | 4.96       |
| Extended Height B (in)                                    | 29.88      |
| Outside Diameter D (in)                                   | 8.46       |
| Cylinder Bore Diameter E (in)                             | 6.5        |
| Base to Advance Port H (in)                               | 1.61       |
| Saddle Diameter J1 (in)                                   | 5.12       |
| Saddle Protrusion from Plunger K (in)                     | 0.08       |
| Saddle Maximum Tilt Angle Radius (degrees)                | 5          |
| Base Mounting Holes Thread V                              | M12 x 1,75 |



**HCL-50 - 150 ton**



**HCL-200 - 300 ton**