



Repair Parts Sheet

High Tonnage Hydraulic Cylinders
HCR-Series

Document Number	Document Revision	Document Revision Date	Product Date Code Beginning With
L4209	D	12/2020	See code in table

NOTICE:

Enerpac recommends the installation of all parts included in a service assembly or repair kit to ensure optimum performance of the repaired product.

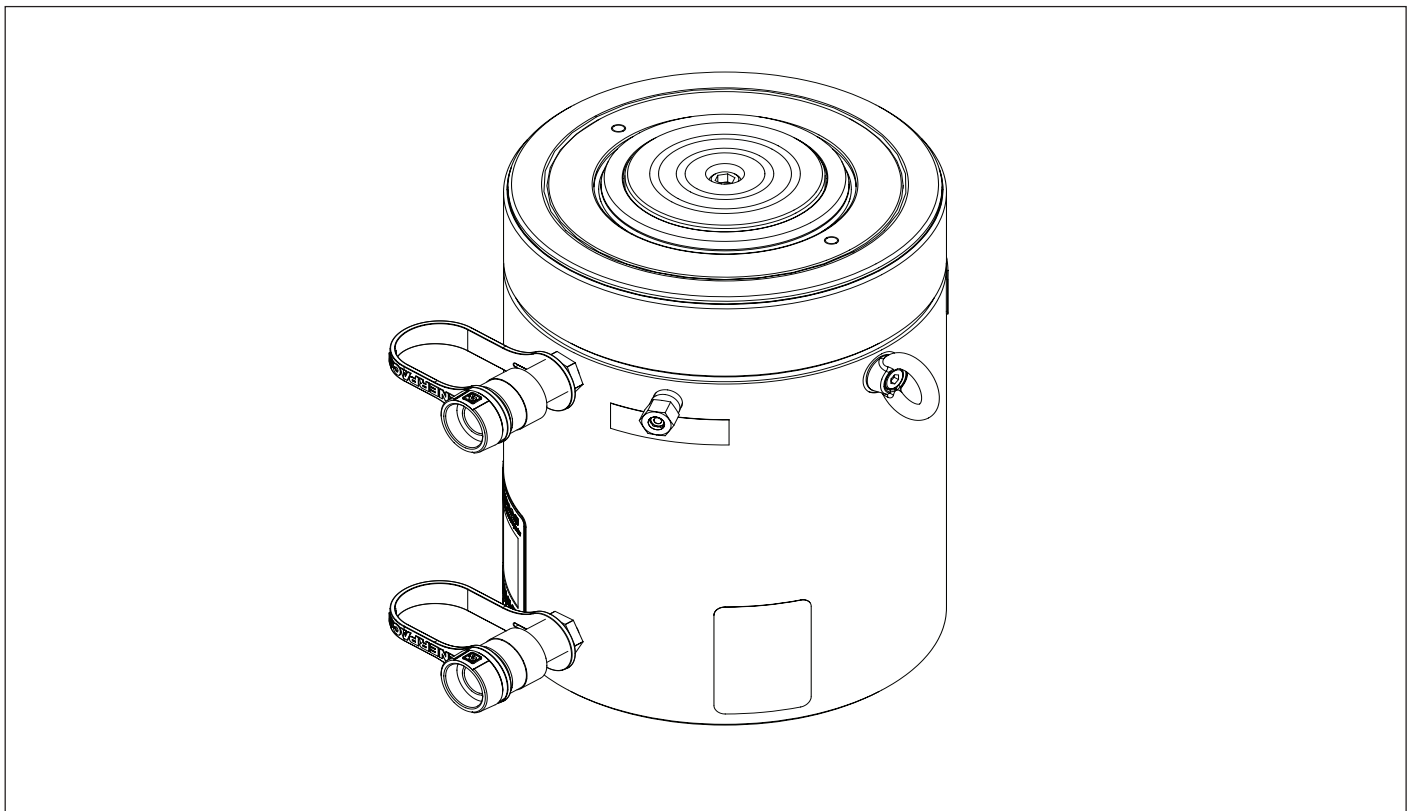
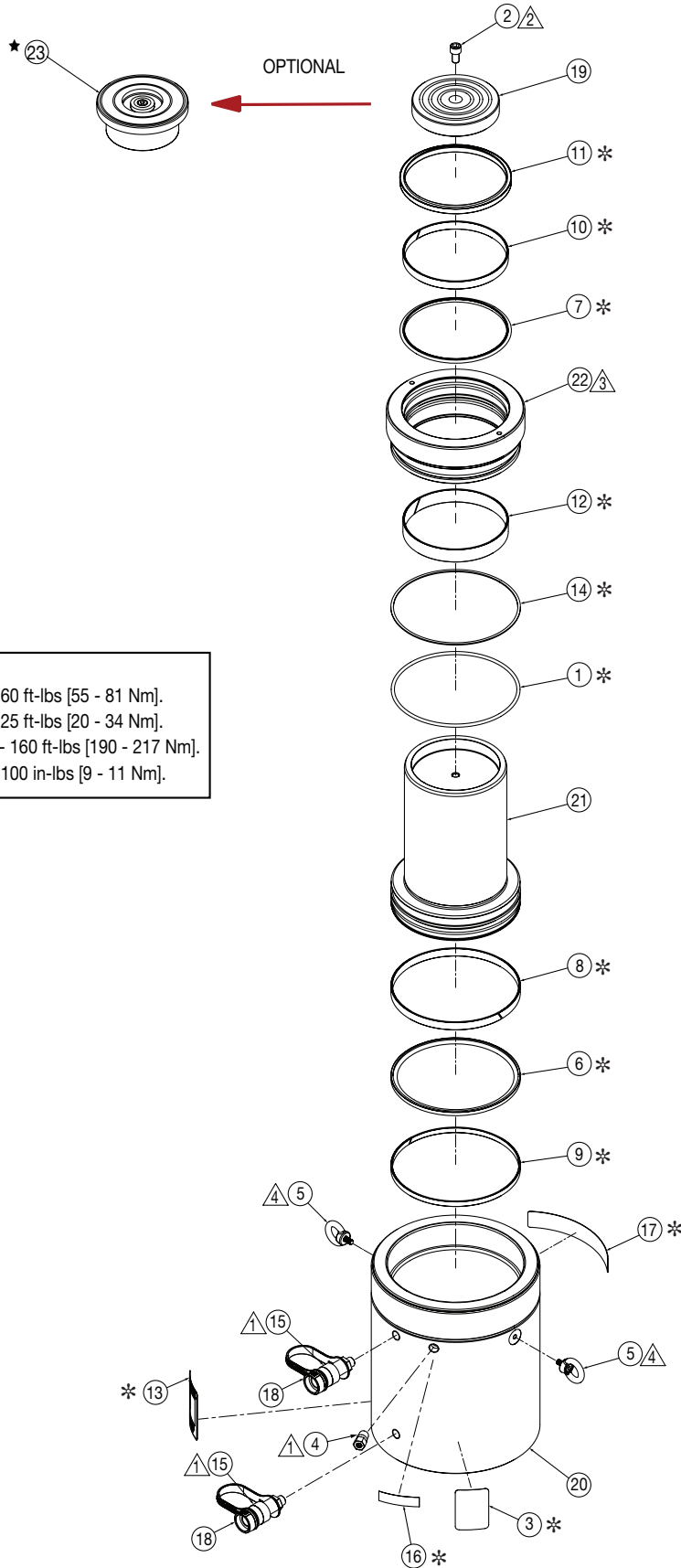


Table of Contents:

	Page	Page	
Figure 1, Model HCR-250 Short	2-3	Figure 3, Model HCR-300	6-7
Figure 2, Model HCR-250 Tall	4-5	Figure 4, Model HCR-400	8-9

Figure 1, Exploded View - Model HCR-250 Short

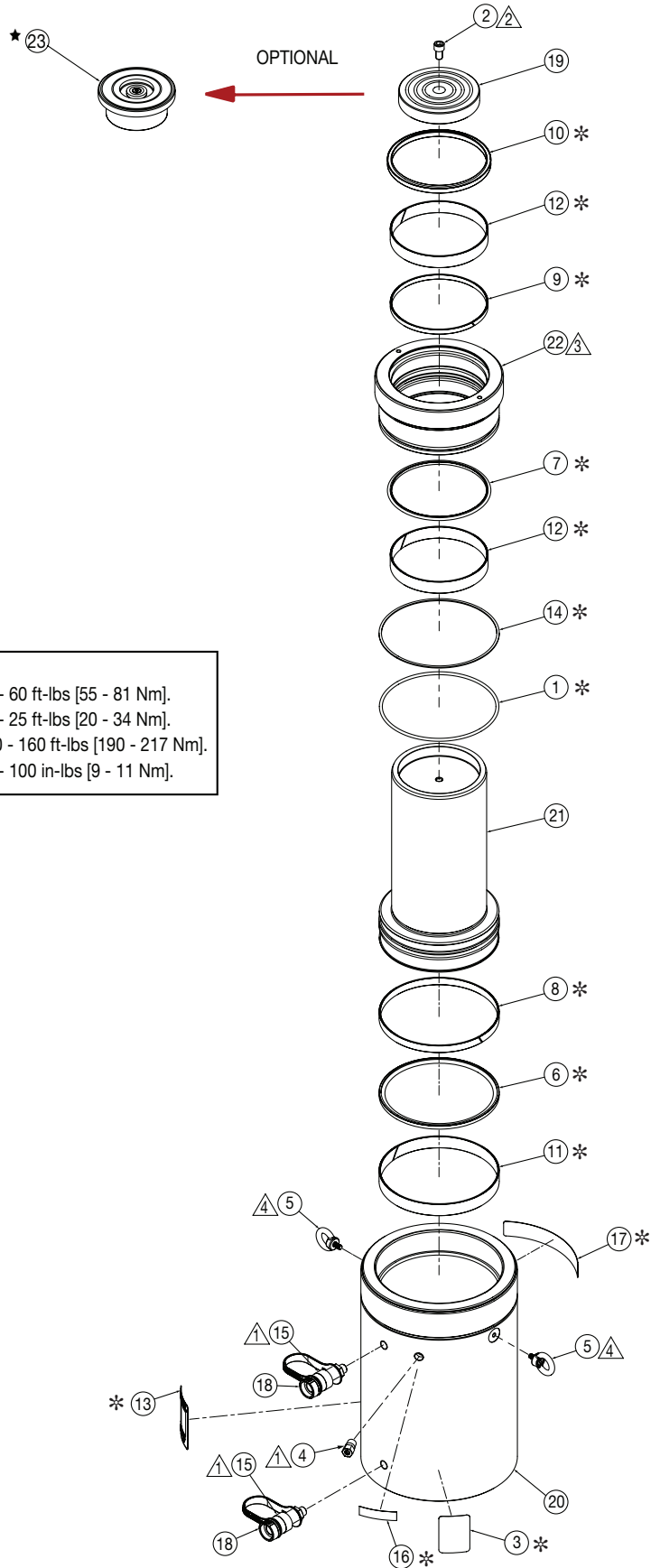


Notes:

- \triangle Torque to 40 - 60 ft-lbs [55 - 81 Nm].
- \triangle Torque to 15 - 25 ft-lbs [20 - 34 Nm].
- \triangle Torque to 140 - 160 ft-lbs [190 - 217 Nm].
- \triangle Torque to 80 - 100 in-lbs [9 - 11 Nm].

Repair Parts List for Figure 1			
Item	Part Number	Qty.	Description
1	*	1	O-Ring 202,57 x 5,33 Dash 369
2	CBE1225028-1A	1	Screw-SHCS, Hex, M12x30, STL/8.8, ZINC
3	*	1	Warning Decal, 2.19" x 3.18"
4	DB8049900	1	Relief Valve Assembly
5	DB8050667	2	Eyebolt, Rotating, M8
6	*	1	Piston Seal 125 x 194 x 8,1
7	*	1	Rod Seal 170 x 185,1 x 6,3
8	*	1	Bearing, Piston 215 x 15
9	*	1	Bearing, Piston 215 x 9,7
10	*	1	Bearing, Rod 170 x 25
11	*	1	Wiper 170 mm
12	*	1	Bearing, Rod 170 x 25
13	*	1	Decal, Product Specification
14	*	1	Back Up Ring 215 x 206,4 x 1,7
15	CR400	2	Female Coupler
16	*	1	Decal, Safety Warning
17	*	1	Decal, Enerpac
18	CD411D	2	Dust Cap
19	HCL300045	1	Saddle HCL 300 Ton
20	N/A	1	Base HCG/HCR 250 Ton 50 mm
	N/A	1	Base HCG/HCR 250 Ton 100 mm
	N/A	1	Base HCG/HCR 250 Ton 150 mm
21	HCR2502040	1	Plunger HCG/HCR 250 Ton 50 mm
	HCR2504040	1	Plunger HCG/HCR 250 Ton 100 mm
	HCR2506040	1	Plunger HCG/HCR 250 Ton 150 mm
22	HCR2502044	1	Stop Ring HCG/HCR 250 Ton Short
★ 23	CATS300	1	Tilting Saddle 300 Ton
* Included in HCR250K1 Seal Kit. N/A - Not Available. ★Optional item			
PRODUCT DESIGN VERSION B			

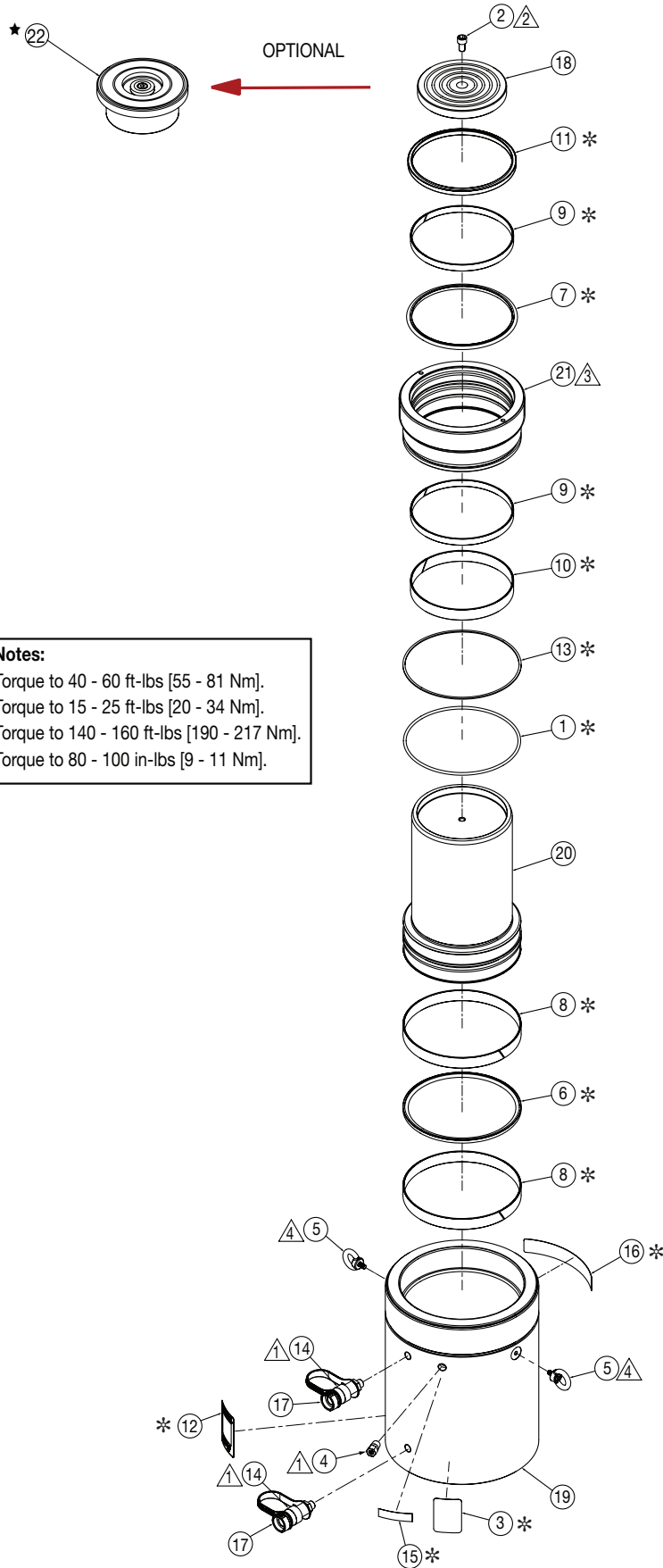
Figure 2, Exploded View - Model HCR-250 Tall



- Notes:**
- △1 Torque to 40 - 60 ft-lbs [55 - 81 Nm].
 - △2 Torque to 15 - 25 ft-lbs [20 - 34 Nm].
 - △3 Torque to 140 - 160 ft-lbs [190 - 217 Nm].
 - △4 Torque to 80 - 100 in-lbs [9 - 11 Nm].

Repair Parts List for Figure 2			
Item	Part Number	Qty.	Description
1	*	1	O-Ring 202,57 x 5,33 Dash 369
2	CBE1225028-1A	1	Screw-SHCS, Hex, M12x30, STL/8.8, ZINC
3	*	1	Warning Decal, 2.19" x 3.18"
4	DB8049900	1	Relief Valve Assembly
5	DB8050667	2	Eyebolt, Rotating, M8
6	*	1	Piston Seal 170 x 185,1 x 6,3
7	*	1	Rod Seal 170 x 185,1 x 6,3
8	*	1	Bearing, Piston 215 x 15
9	*	1	Bearing, Rod 170 x 9,7
10	*	1	Wiper 170 mm
11	*	1	Bearing, Piston 215 x 25
12	*	2	Bearing, Rod 170 x 25
13	*	1	Decal, Product Specification
14	*	1	Back Up Ring 215 x 206,4 x 1,7
15	CR400	2	Female Coupler
16	*	1	Decal, Safety Warning
17	*	1	Decal, Enerpac
18	CD411D	2	Dust Cap
19	HCL300045	1	Saddle HCL 300 Ton
20	N/A	1	Base HCG/HCR 250 Ton 200 mm
	N/A	1	Base HCG/HCR 250 Ton 250 mm
	N/A	1	Base HCG/HCR 250 Ton 300 mm
21	HCR2508040	1	Plunger HCG/HCR 250 Ton 200 mm
	HCR25010040	1	Plunger HCG/HCR 250 Ton 250 mm
	HCR25012040	1	Plunger HCG/HCR 250 Ton 300 mm
22	HCR2508044	1	Stop Ring HCG/HCR 250 Ton Tall
★ 23	CATS300	1	Tilting Saddle 300 Ton
* Included in HCR250K2 Seal Kit. N/A - Not Available. ★Optional item			
PRODUCT DESIGN VERSION B			

Figure 3, Exploded View - Model HCR-300



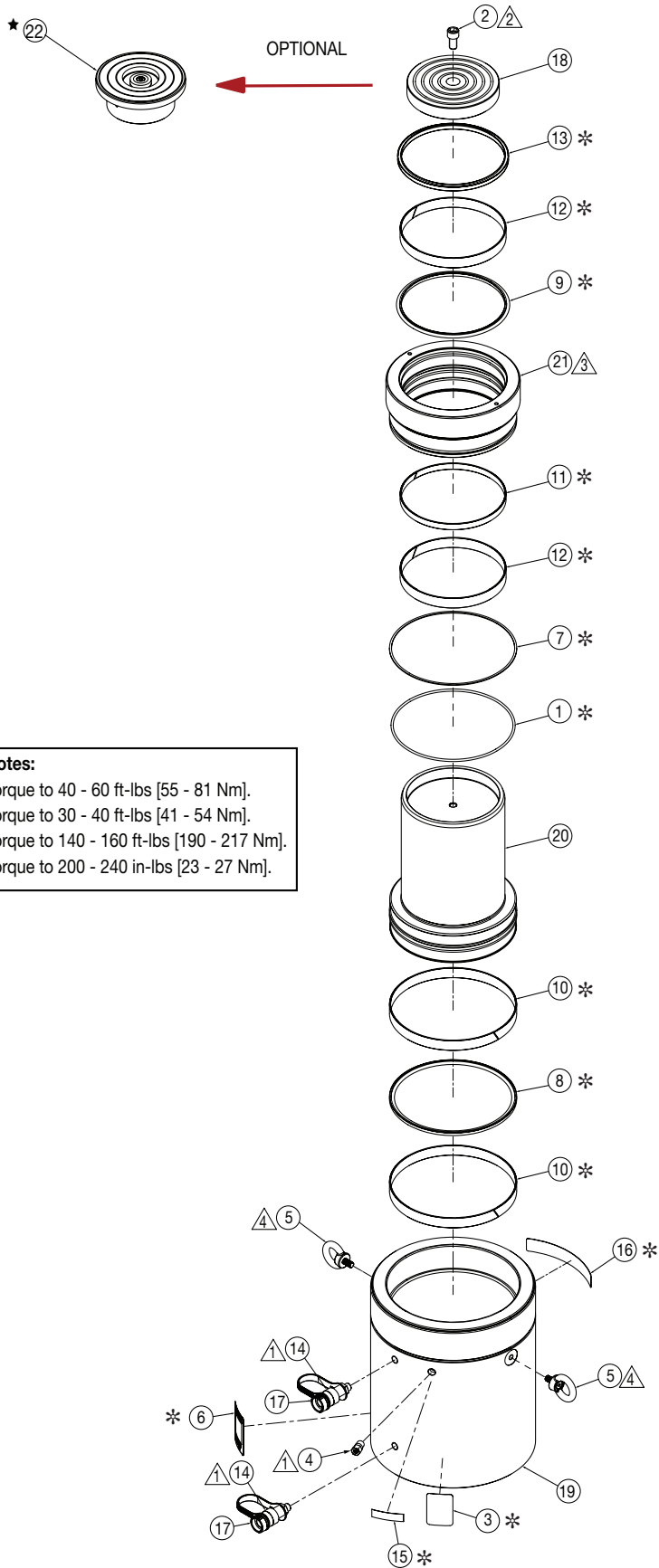
Repair Parts List for Figure 3

Item	Part Number	Qty.	Description
1	*	1	O-Ring 221,62 x 5,33 Dash 372
2	CBE1225028-1A	1	Screw-SHCS, Hex, M12x30, STL/8.8, ZINC
3	*	1	Warning Decal, 2.19" x 3.18"
4	DB8049900	1	Relief Valve Assembly
5	DB8050667	2	Eyebolt, Rotating, M8
6	*	1	Piston Seal 235 x 214 x 8,1
7	*	1	Rod Seal 200 x 220,5 x 8,1
8	*	2	Bearing, Piston 235 x 25
9	*	2	Bearing, Rod 200 x 15
10	*	1	Bearing, Rod 200 x 25
11	*	1	Wiper 200 mm
12	*	1	Decal, Product Specification
13	*	1	Back Up Ring 235 x 226,4 x 1,7
14	CR400	2	Female Coupler
15	*	1	Decal, Safety Warning
16	*	1	Decal, Enerpac
17	CD411D	2	Dust Cap
18	HCL300045	1	Saddle HCL 300 Ton
19	N/A	1	Base HCG/HCR 300 Ton 50 mm
	N/A	1	Base HCG/HCR 300 Ton 100 mm
	N/A	1	Base HCG/HCR 300 Ton 150 mm
	N/A	1	Base HCG/HCR 300 Ton 200 mm
	N/A	1	Base HCG/HCR 300 Ton 250 mm
	N/A	1	Base HCG/HCR 300 Ton 300 mm
20	HCR3002040	1	Plunger HCG/HCR 300 Ton 50 mm
	HCR3004040	1	Plunger HCG/HCR 300 Ton 100 mm
	HCR3006040	1	Plunger HCG/HCR 300 Ton 150 mm
	HCR3008040	1	Plunger HCG/HCR 300 Ton 200 mm
	HCR30010040	1	Plunger HCG/HCR 300 Ton 250 mm
	HCR30012040	1	Plunger HCG/HCR 300 Ton 300 mm
21	HCR3002044	1	Stop Ring HCR 300 Ton
★ 22	CATS300	1	Tilting Saddle 300 Ton

* Included in HCR300K Seal Kit. N/A - Not Available. ★Optional item

PRODUCT DESIGN VERSION C

Figure 4, Exploded View - Model HCR-400



- Notes:**
- △ Torque to 40 - 60 ft-lbs [55 - 81 Nm].
 - △ Torque to 30 - 40 ft-lbs [41 - 54 Nm].
 - △ Torque to 140 - 160 ft-lbs [190 - 217 Nm].
 - △ Torque to 200 - 240 in-lbs [23 - 27 Nm].

Repair Parts List for Figure 4

Item	Part Number	Qty.	Description
1	*	1	O-Ring 253,37 x 5,33 Dash 377
2	CBE1625028-1A	1	Screw SHC M16 x 30 Zinc
3	*	1	Warning Decal, 2.19" x 3.18"
4	DB8049900	1	Relief Valve Assembly
5	DB8086667	2	Eyebolt, Rotating, M12
6	*	1	Decal, Product Specification
7	*	1	Back Up Ring 270 x 261,4 x 1,7
8	*	1	Piston Seal 270 x 249 x 8,1
9	*	1	Rod Seal 220 x 240,5 x 8,1
10	*	2	Bearing, Piston 270 x 25
11	*	1	Bearing, Rod 220 x 15
12	*	2	Bearing, Rod 220 x 25
13	*	1	Wiper 220 mm
14	CR400	2	Female Coupler
15	*	1	Decal, Safety Warning
16	*	1	Decal, Enerpac
17	CD411D	2	Dust Cap
18	HCL400045	1	Saddle HCL 400 Ton
19	N/A	1	Base HCG/HCR 400 Ton 50 mm
	N/A	1	Base HCG/HCR 400 Ton 100 mm
	N/A	1	Base HCG/HCR 400 Ton 150 mm
	N/A	1	Base HCG/HCR 400 Ton 200 mm
	N/A	1	Base HCG/HCR 400 Ton 250 mm
	N/A	1	Base HCG/HCR 400 Ton 300 mm
20	HCR4002040	1	Plunger HCG/HCR 400 Ton 50 mm
	HCR4004040	1	Plunger HCG/HCR 400 Ton 100 mm
	HCR4006040	1	Plunger HCG/HCR 400 Ton 150 mm
	HCR4008040	1	Plunger HCG/HCR 400 Ton 200 mm
	HCR40010040	1	Plunger HCG/HCR 400 Ton 250 mm
	HCR40012040	1	Plunger HCG/HCR 400 Ton 300 mm
21	HCR4002044	1	Stop Ring HCR 400 Ton
★ 22	CATS400	1	Tilting Saddle 400 Ton

* Included in HCR400K Seal Kit. N/A - Not Available. ★Optional item

PRODUCT DESIGN VERSION C



www.enerpac.com