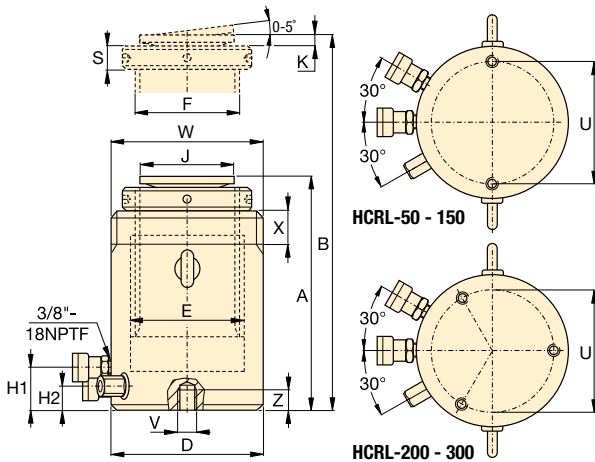


▼ Shown: HCRL2006, HCRL506



- Hydraulically controlled fast retraction
- Lock nut provides mechanical load holding for a safe work environment
- Designed to withstand up to 10% side-load of maximum capacity
- Integrated tilt saddle allows up to 5 degrees of misalignment
- Hardened surface resists side-loading and cyclic wear
- Weather protected, inside and out
- Replaceable bearings enclose the plunger externally and internally for support
- Certified lifting eyes, base mounting holes and collar thread as standard
- Stop-ring to prevent plunger blow-out
- Low friction lock nut, spin easy, save time and effort



Collar Thread		
Model / Capacity (ton)	Thread Size W (mm)	Thread Length X (in)
HCRL50	M130 x 2	1.65
HCRL100	M185 x 2	2.24
HCRL150	M222 x 3	2.76
HCRL200	M260 x 3	3.09
HCRL250	M290 x 3	3.33
HCRL300	M315 x 3	3.68

The collar thread length is designed for the full rated cylinder capacity.

Base Mounting Holes			
Model / Capacity (ton)	Bolt Circle U (in)	Thread Size V (mm)	Min. Thread Depth Z (in)
HCRL50	4.13	M12 x 1.75	0.87
HCRL100	5.90	M12 x 1.75	0.87
HCRL150	7.28	M12 x 1.75	0.87
HCRL200	8.46	M12 x 1.75	0.87
HCRL250	9.65	M12 x 1.75	0.87
HCRL300	10.24	M16 x 2.00	0.98

Cylinder Capacity* (ton)	Stroke* (in)	Model Number	Maximum Cylinder Capacity at 10,150 psi (ton)	Cylinder Effective Area (in ²)	Oil Capacity (in ³)	
					Advance	Retract
50	5.91	HCRL506	54	10.60	62.55	5.24
	7.87	HCRL508			83.42	6.99
	9.84	HCRL5010			104.29	8.73
	11.81	HCRL5012			125.16	10.48
100	5.91	HCRL1006	111	21.91	129.41	14.38
	7.87	HCRL1008			172.54	19.17
	9.84	HCRL10010			215.68	23.96
	11.81	HCRL10012			258.81	28.76
150	5.91	HCRL1506	169	33.23	196.26	14.38
	7.87	HCRL1508			261.69	19.17
	9.84	HCRL15010			327.11	23.96
	11.81	HCRL15012			392.50	28.76
200	5.91	HCRL2006	225	44.31	261.62	32.35
	7.87	HCRL2008			348.87	43.14
	9.84	HCRL20010			436.06	53.92
	11.81	HCRL20012			523.31	64.70
250	5.91	HCRL2506	277	54.54	322.08	32.35
	7.87	HCRL2508			429.35	43.14
	9.84	HCRL25010			536.67	53.92
	11.81	HCRL25012			644.15	64.70
300	5.91	HCRL3006	334	65.74	388.23	32.35
	7.87	HCRL3008			517.60	43.14
	9.84	HCRL30010			647.03	53.92
	11.81	HCRL30012			776.41	64.70

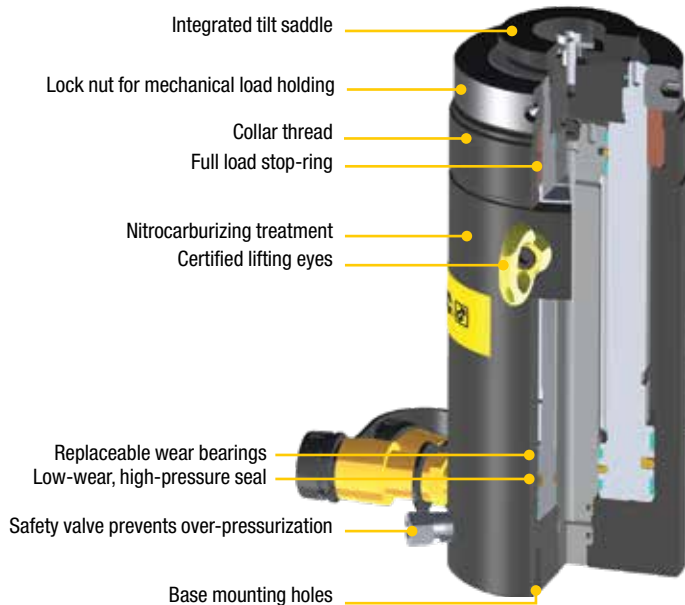
* Up to 2000-ton and additional stroke lengths available on request.

Double Acting, High Tonnage, Lock Nut Cylinders



Higher Capacities, Longer Strokes

The HCRL-Series Cylinders are available up to 2000-ton and additional stroke lengths available on request. Contact Enerpac for more information.



HCRL Series



Capacity:

54 - 334 ton

Stroke:

5.91 - 11.81 inches

Maximum Operating Pressure:

10,150 psi



EVO-Series, Synchronous Lifting Systems

The EVO-system is the safest system for multi-point lifting, provided synchronized control over lifting stroke with a wide variety of features and functions.

Collapsed Height	Extended Height	Outside Diameter	Cylinder Bore Diameter	Plunger Diameter	Base to Advance Port	Base to Retract Port	Saddle Diameter	Saddle Protrusion from Plunger	Lock Nut Height	Retract Oil Volume	Weight	Model Number
A (in)	B (in)	D (in)	E (in)	F (mm)	H1 (in)	H2 (in)	J (in)	K (in)	S (in)	(in ³)	(lbs)	
12.20	18.11	5.12	3.93	Tr90 x 4	1.61	1.04	3.02	0.59	1.02	1.75	65	HCRL506
14.84	22.71									3.49	79	HCRL508
16.81	26.65									5.24	88	HCRL5010
18.77	30.59									6.99	98	HCRL5012
13.62	19.52	7.28	5.51	Tr120 x 6	1.97	1.41	3.02	0.59	1.42	8.73	141	HCRL1006
16.57	14.44									10.48	170	HCRL1008
18.54	28.38									4.79	188	HCRL10010
20.51	32.32									9.59	207	HCRL10012
14.13	20.03	8.74	6.69	Tr150 x 6	1.81	1.24	4.96	0.51	1.77	14.38	213	HCRL1506
17.09	24.96									19.17	256	HCRL1508
19.06	28.90									23.96	284	HCRL15010
21.02	32.83									28.76	312	HCRL15012
15.70	21.61	10.24	7.87	Tr170 x 6	2.80	1.92	4.96	0.51	1.97	4.79	318	HCRL2006
18.46	26.34									9.59	370	HCRL2008
20.43	30.28									14.38	406	HCRL20010
22.40	34.21									19.17	440	HCRL20012
16.38	22.28	11.42	8.66	Tr190 x 6	2.80	1.92	6.30	0.59	2.17	23.96	419	HCRL2506
19.33	27.20									28.76	492	HCRL2508
21.30	31.14									10.78	538	HCRL25010
23.27	35.08									21.57	584	HCRL25012
16.57	22.48	12.40	9.45	Tr210 x 6	2.80	1.92	6.30	0.59	2.17	32.35	505	HCRL3006
19.53	27.40									43.14	592	HCRL3008
21.50	31.34									53.92	647	HCRL30010
23.46	35.28									64.70	702	HCRL30012