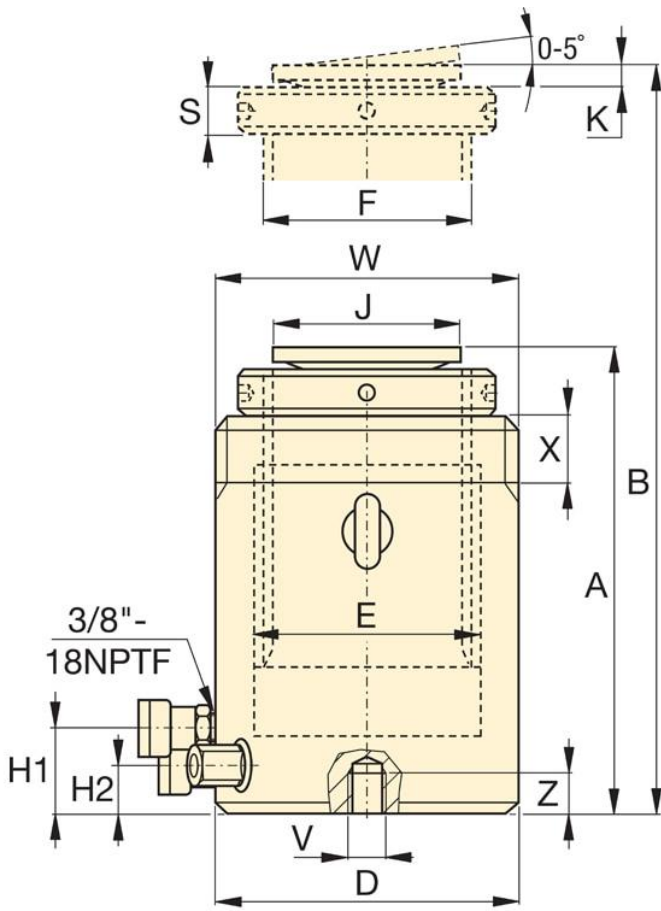


Specifications

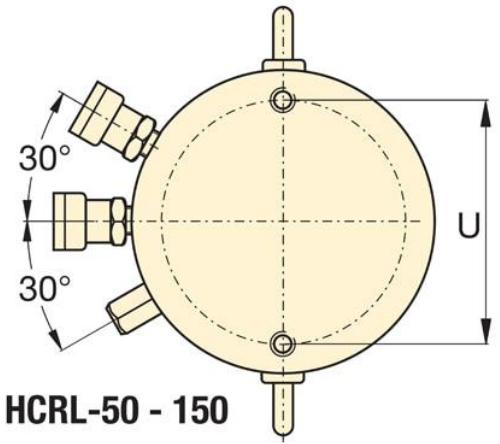
Maximum Operating Pressure (psi)	10,150
Capacity Class (tonnage)	150
Maximum Cylinder Capacity Advance (tons)	168.6
Stroke (in)	11.81
Collapsed Height A (in)	21.02
Extended Height B (in)	32.83
Return Type	Double-Acting, Hydraulic Return
Plunger Type	Solid
Material	Steel
Cylinder Effective Area Advance (in ²)	33.23
Oil Capacity Advance (in ³)	392.5
Oil Capacity Retract (in ³)	28.76
Surface Treatment	Nitride
Coupler	CR400 Coupler
Weight (lbs)	312

Dimensions

Collapsed Height A (in)	21.02
Extended Height B (in)	32.83
Outside Diameter D (in)	8.74
Cylinder Bore Diameter E (in)	6.69
Base to Advance Port H1 (in)	1.81
Base to Retract Port H2 (in)	1.24
Saddle Diameter J1 (in)	4.96
Saddle Protrusion from Plunger K (in)	0.51
Lock Nut Height S (in)	1.77
Base Mounting Holes Bolt Circle U (in)	5.12
Base Mounting Holes Thread V	M12 x 1,75
Collar Thread Size W	M222 X 3
Collar Thread Length X (in)	2.76
Base Mounting Holes Thread Depth Z (in)	0.87



HCRL-50 - 150



HCRL-200 - 300

