

▼ HMT-Drive Units with interchangeable HLP-Low-Profile Cassette and HSQ-Square Drive Cassette



Modular, Durable, Fast and Efficient Torque for Low-Profile and Square Drive Applications

The HMT-Series is a range of fast, durable and efficient modular hydraulic torque wrenches, enabling you to tackle almost any bolting application. Interchange cassettes with ease, switching the HLP low-profile hexagon cassette with the HSQ square drive whenever your application demands.

As an added benefit, tools and cassettes are interchangeable with many other well-known brands, allowing you the freedom to use the tools at your disposal while reducing the cost of upgrading your legacy torque wrench inventory to high quality Enerpac equipment.

The tool itself has been carefully designed and manufactured, utilizing superior alloys and surface treatments to make it lightweight, up to 25% faster and more than twice as durable as other tools in the same class.

Safety and Performance

- Supplied with an ergonomic tool safety handle as standard
- The HMT Modular Torque/Tool is also supplied with a link pin retainer as standard

Versatility

- Interchangeable with other manufacturers
- HMT is able to solve all of your bolting challenges quickly and safely, with one or more attachment options, making it suitable for any application

Simplicity

- The HMT is part of a modular system which is made up of a single power head and one attachment; the HMT Drive Unit and HLP Hexagon cassette or HSQ Square Drive Cassette

Accuracy

- Accuracy of $\pm 3\%$



Torque Wrench Options and Accessories

Optional accessories are available for maximum versatility.

Page: 283



Back-Up Spanners

Hands free tool to be used to stop back nut from turning during make up or break out. Two hexagon sizes in one tool.

Page: 245



Torque Wrench Pumps

Visit enerpac.com for system matched air and electric torque wrench pumps that are ideal for use with hydraulic torque wrenches.

Page: 291



Torque Wrench Hoses

Use Enerpac THQ-Series hoses with HMT-Series torque wrenches to ensure the integrity of your hydraulic system.

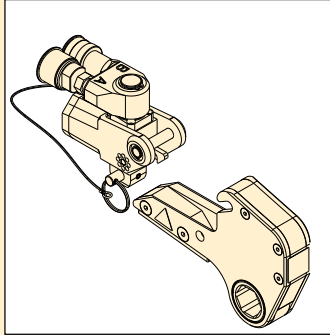
6 feet long, 2 hoses	THQ702T
19.5 feet long, 2 hoses	THQ706T
39 feet long, 2 hoses	THQ712T

Drive Units for Hexagon & Square Drive Cassettes

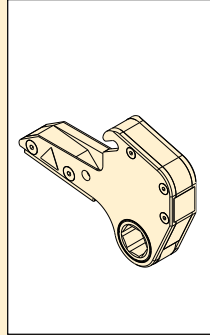


One Drive, Two Tools

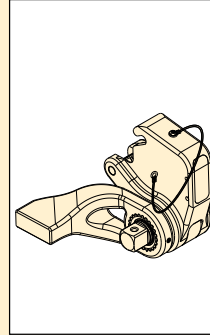
One HMT-Hydraulic Torque Wrench fits HLP Low-Profile or HSQ Square Drive cassette.



HMT...HLP



HLP



HSQ

HMT Series



Max. Torque at 10,000 psi:

1541 - 13,489 ft.lbs

Max. Torque at 690 bar:

2089 - 18,289 Nm

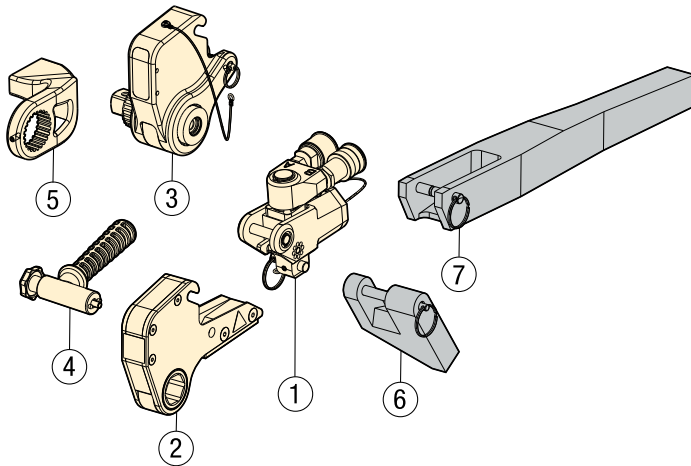
Hexagon Range:

1¹/₁₆ - 4⁵/₈" / 26 - 115 mm

Maximum Operating Pressure:

10,000 psi / 690 bar

HMT-Series, Torque Wrench Options and Accessories



- ① HMT: Drive Unit (page 279)
- ② HLP: Hexagon Cassette (page 280-281)
- ③ HSQ: Square Drive Cassette (page 282-283)
- ④ SWH: Ergonomic Tool Handle (page 282)
- ⑤ Reaction Arm for HSQ
- ⑥ HRP: Reaction Paddle (page 280)
- ⑦ HTE: Extended Reaction Arm (page 280)

Optional Parts (for HMT with HLP only)



Select the Right Torque

250%
Choose your Enerpac Torque Wrench using the untightening rule of thumb: Loosening torque equals about 250% of tightening torque.



HLP Low-Profile Cassettes

For the metric and imperial Low-Profile cassettes see:

Page: 280




HSQ Square Drive Cassettes

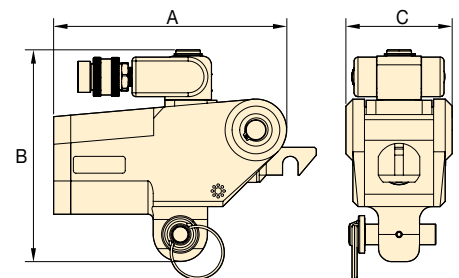
For the metric and imperial Square Drive Cassettes see:

Page: 282

SELECTION CHART

Max. Torque Output at 10,000 psi		Min. Torque Output at 1000 psi		Drive Unit Model Number	Dimensions (in)			Wt. (lbs)	Dimensions (mm)			Wt. (kg)
(ft-lbs)	(Nm)	(ft-lbs)	(Nm)		A	B	C		A	B	C	
1541	2089	154	209	 HMT1500	4.3	4.1	2.0	2.20	108	104	49	1,0
3543	4804	354	480	HMT3500	5.7	5.2	2.6	3.97	146	132	66	1,8
7562	10252	756	1025	HMT7500	7.1	6.4	3.2	7.05	180	163	82	3,2
13489	18289	1349	1829	HMT13000*	8.5	7.4	3.9	4.40	216	187	98	9,7

* Note: HMT13000 only available for HLP-low profile hexagon cassettes.



HSQ-Series, Square Drive Torque Wrenches **ENERPAC**

▼ HMT drive unit with HSQ square drive cassette



Modular, Durable, Fast and Efficient Torque for Low Profile and Square Drive Applications

Safety and Performance

- Innovative design that completely encloses all moving parts and minimizes pinch points
- Supplied reaction arm as standard
- Fully adjustable 360 degree in-line reaction arm
- Fine tooth ratchet prevents locking-on

Simplicity

- Simple robust design with just three moving parts for reduced maintenance
- Push button, quick release, reversible square drive

Versatility

- The reaction arm, positioned around the square drive instead of the back of the drive unit, provides you with the possibility to turn the drive unit away from an obstacle

Accuracy

- Accuracy of $\pm 3\%$

ATEX certified

- All HMT tools are CE - ATEX certified



Ergonomic Tool Handle

Robust ergonomic positioning handle comes standard with every HMT Drive Unit.

Compatible HMT-Series wrenches	Ergonomic Handle (Standard)
HMT1500, 3500, 7500	SWH6A
HMT13000	SWH10A



Back-Up Spanners

Hands free tool to be used to stop back nut from turning during make up or break out. Two hexagon sizes in one tool.

Page:  245



Torque Wrench Hoses

Use Enerpac THQ-Series hoses with HMT-Series torque wrenches to ensure the integrity of your hydraulic system.

6 feet long, 2 hoses	THQ702T
19.5 feet long, 2 hoses	THQ706T
39 feet long, 2 hoses	THQ712T

HSQ, Square Drive Hydraulic Torque Wrenches



Bolting Integrity Software

Visit enerpac.com to access our free on-line

bolting software application. A comprehensive on-line software solution for Bolted Joint integrity.

Integral databases hold data for:

- BS1560, MSS SP44, API 6A and 17D flanged joints
- Common gasket materials and configurations
- Comprehensive range of bolt materials
- Comprehensive range of lubricants

- Enerpac's Controlled Bolting Equipment including: Torque Multipliers, Hydraulic Wrenches and Bolt Tensioning tools

Custom Joint information can also be entered.

The software offers Tool selection, Bolt Load calculations and Tool pressure settings, as well as, a combined Application data sheet and Joint completion report.

Page: 416

HSQ Series



Maximum Torque at 10.000 psi:

1541 - 7562 Ft.lbs

Maximum Torque at 690 bar:

2089 - 10.252 Nm

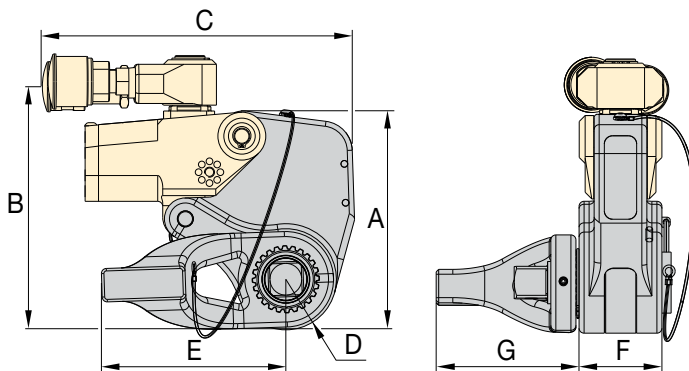
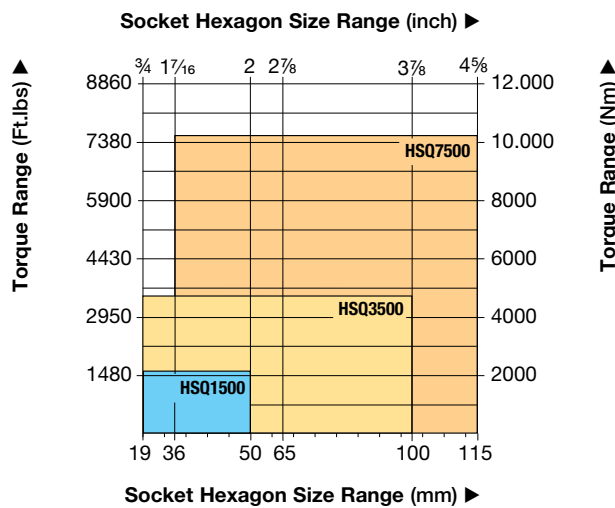
Square Drive Range:

3/4 - 1 1/2 inch

Maximum Operating Pressure:

10.000 psi / 690 bar

TORQUE WRENCH SELECTION (based on socket size range)



SELECTION CHART

Max. Torque Output		Square Drive Size (in)	Sq. Drive Cassette Model Number*	Dimensions (in)							Wt. (lbs)	Dimensions (mm)							Wt. (kg)
(ft-lbs)	(Nm)			A	B	C	D	E	F	G		A	B	C	D	E	F	G	
1541	2089	3/4	HSQ1500	5.71	6.61	6.85	1.19	2.36	1.95	3.29	8.16	145	168	174	30	60	50	84	3,7
3543	4804	1	HSQ3500	7.54	8.23	7.95	1.52	3.07	2.58	4.35	13.01	192	209	202	39	78	66	111	5,9
7562	10252	1 1/2	HSQ7500	9.60	10.08	9.25	1.99	4.33	3.23	6.32	25.13	244	256	235	51	110	82	161	11,4

* IMPORTANT: HMT-drive units must be ordered separately to operate the HSQ-Square Drive Cassettes.



BSH-Series Sockets

Heavy-Duty Impact Sockets for power driven torquing equipment.

Page: 244



Select the Right Torque

Choose your Enerpac Torque Wrench using the untightening rule of thumb: Loosening torque equals about 250% of tightening torque.



Torque Wrench Pumps

Visit enerpac.com for system matched air and electric torque wrench pumps that are ideal for use with hydraulic torque wrenches.

Page: 291