

L2075 Rev. C 11/99

Index:

English:.....	1-7
Français:.....	8-14
Deutsch:.....	N/A
Italiano:	N/A
Español:	15-21
Nederlands:	N/A

1.0 IMPORTANT RECEIVING INSTRUCTIONS

Visually inspect all components for shipping damage. Shipping damage is **not** covered by warranty. If shipping damage is found, notify carrier at once. The carrier is responsible for all repair and replacement costs resulting from damage in shipment.

SAFETY FIRST

2.0 SAFETY ISSUES



Read all instructions, warnings, and cautions carefully. Follow all safety precautions to avoid personal injury or property damage during system operation. Enerpac cannot be responsible for damage or injury resulting from unsafe product use, lack of maintenance or incorrect product and/or system operation. Contact Enerpac when in doubt as to the safety precautions and operations. If you have never been trained on high-pressure hydraulic safety, consult your distribution or service center for a free Enerpac Hydraulic safety course.

Failure to comply with the following cautions and warnings could cause equipment damage and personal injury.

A **CAUTION** is used to indicate correct operating or maintenance procedures and practices to prevent damage to, or destruction of equipment or other property.

A **WARNING** indicates a potential danger that requires correct procedures or practices to avoid personal injury.

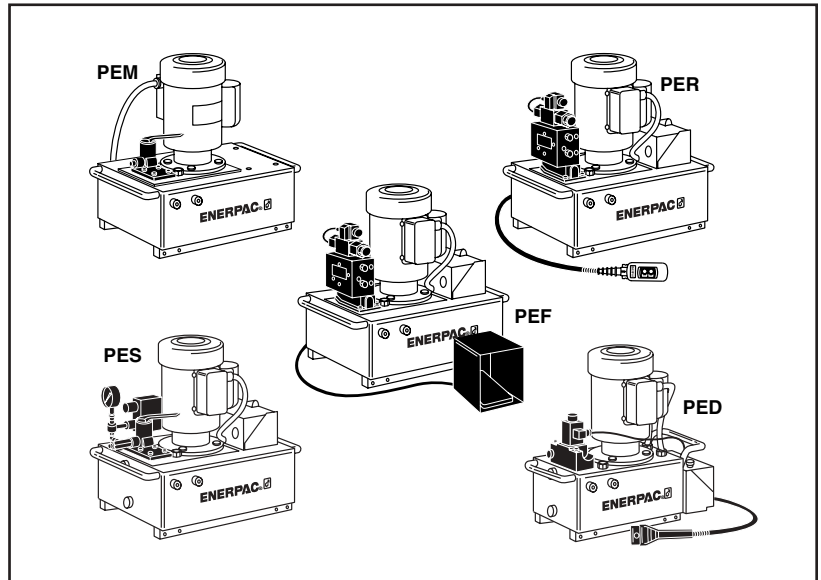
A **DANGER** is only used when your action or lack of action may cause serious injury or even death.



WARNING: Wear proper personal protective gear when operating hydraulic equipment.



WARNING: Stay clear of loads supported by hydraulics. A cylinder, when used as a load lifting device, should never be used as a load holding device. After the load has been raised or lowered, it must always be blocked mechanically.



WARNING: USE ONLY RIGID PIECES TO HOLD LOADS. Carefully select steel or wood blocks that are capable of supporting the load. Never use a hydraulic cylinder as a shim or spacer in any lifting or pressing application.



DANGER: To avoid personal injury keep hands and feet away from cylinder and workpiece during operation.



WARNING: Do not exceed equipment ratings. Never attempt to lift a load weighing more than the capacity of the cylinder. Overloading causes equipment failure and possible personal injury. The cylinders are designed for a max. pressure of 700 bar. Do not connect a jack or cylinder to a pump with a higher pressure rating.



Never set the relief valve to a higher pressure than the maximum rated pressure of the pump. Higher settings may result in equipment damage and/or personal injury.



WARNING: The system operating pressure must not exceed the pressure rating of the lowest rated component in the system. Install pressure gauges in the system to monitor operating pressure. It is your window to what is happening in the system.



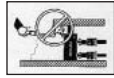
CAUTION: Avoid damaging hydraulic hose. Avoid sharp bends and kinks when routing hydraulic hoses. Using a bent or kinked hose will cause severe back-pressure. Sharp bends and kinks will internally damage the hose leading to premature hose failure.



Do not drop heavy objects on hose. A sharp impact may cause internal damage to hose wire strands. Applying pressure to a damaged hose may cause it to rupture.



IMPORTANT: Do not lift hydraulic equipment by the hoses or swivel couplers. Use the carrying handle or other means of safe transport.



CAUTION: Keep hydraulic equipment away from flames and heat. Excessive heat will soften packings and seals, resulting in fluid leaks. Heat also weakens hose materials and packings. For optimum performance **do not** expose equipment to temperatures of 65°C [150°F] or higher. Protect hoses and cylinders from weld spatter.



DANGER: Do not handle pressurized hoses. Escaping oil under pressure can penetrate the skin, causing serious injury. If oil is injected under the skin, see a doctor immediately.



WARNING: Only use hydraulic cylinders in a coupled system. Never use a cylinder with unconnected couplers. If the cylinder becomes extremely overloaded, components can fail catastrophically causing severe personal injury.

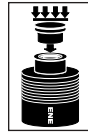


WARNING: BE SURE SETUP IS STABLE BEFORE LIFTING LOAD.

Cylinders should be placed on a flat surface that can support the load. Where applicable, use a cylinder base for added stability. Do not weld or otherwise modify the cylinder to attach a base or other support.



Avoid situations where loads are not directly centered on the cylinder plunger. Off-center loads produce considerable strain on cylinders and plungers. In addition, the load may slip or fall, causing potentially dangerous results.



Distribute the load evenly across the entire saddle surface. Always use a saddle to protect the plunger.



IMPORTANT: Hydraulic equipment must only be serviced by a qualified hydraulic technician. For repair service, contact the Authorized ENERPAC Service Center in your area. To protect your warranty, use only ENERPAC oil.



WARNING: Immediately replace worn or damaged parts by genuine ENERPAC parts. Standard grade parts will break causing personal injury and property damage. ENERPAC parts are designed to fit properly and withstand high loads.



WARNING: Do not use electric pumps in an explosive atmosphere. Adhere to all local and national electrical codes. A qualified electrician must do installation and modification.



WARNING: Start the pump with the valve in the neutral position to prevent accidental cylinder operation. Keep hands clear of moving parts and pressurized hoses.



WARNING: These pumps have factory adjusted relief valves, which must not be repaired or adjusted except by an Authorized Enerpac Service Center.



CAUTION: To prevent damage to pump electric motor, check specifications. Use of incorrect power source will damage the motor.

SPECIFICATIONS

	30 Series	40 Series	50 Series
★ Flow vs. Pressure	640 in. ³ /min at 0-900 psi [10,5 l/min at 0-62 bar]		
	60 in. ³ /min at 900-10,000 psi [0,98 l/min at 62-700 bar]	120 in. ³ /min at 900-5,000 psi [1,96 l/min at 62-350 bar]	120 in. ³ /min at 900-10,000 psi [1,96 l/min at 62-700 bar]
Motor Voltage Options	115-1-60 230-1-60 230-3-60 460-3-60 575-3-60		230-3-60 460-3-60 575-3-60
Motor Current Draw	22 amps at max. pressure at 115-1-60 1 amps at max. pressure at 230-1-60 5.4 amps at max. pressure at 230-3-60 2.7 amps at max. pressure at 460-3-60 2.2 amps at max. pressure at 575-3-60		10 amps at max. pressure at 230-3-60 5.0 amps at max. pressure at 460-3-60 4.7 amps at max. pressure at 575-3-60
Relief Valve Adjustment Range	800-10,000 psi [55-700 bar]	800-5,000 psi [55-350 bar]	800-10,000 psi [55-700 bar]
Ambient Temperature Range	23°F to 104°F (-5°C to 40°C)		
Max. Recommended Operating Fluid Temperature	150°F (65,5°C)		
★ All flow data at 60 hz, 50 hz data will be 5/6 of this number.			

3.1 Flow Charts (at 60 Hz.)

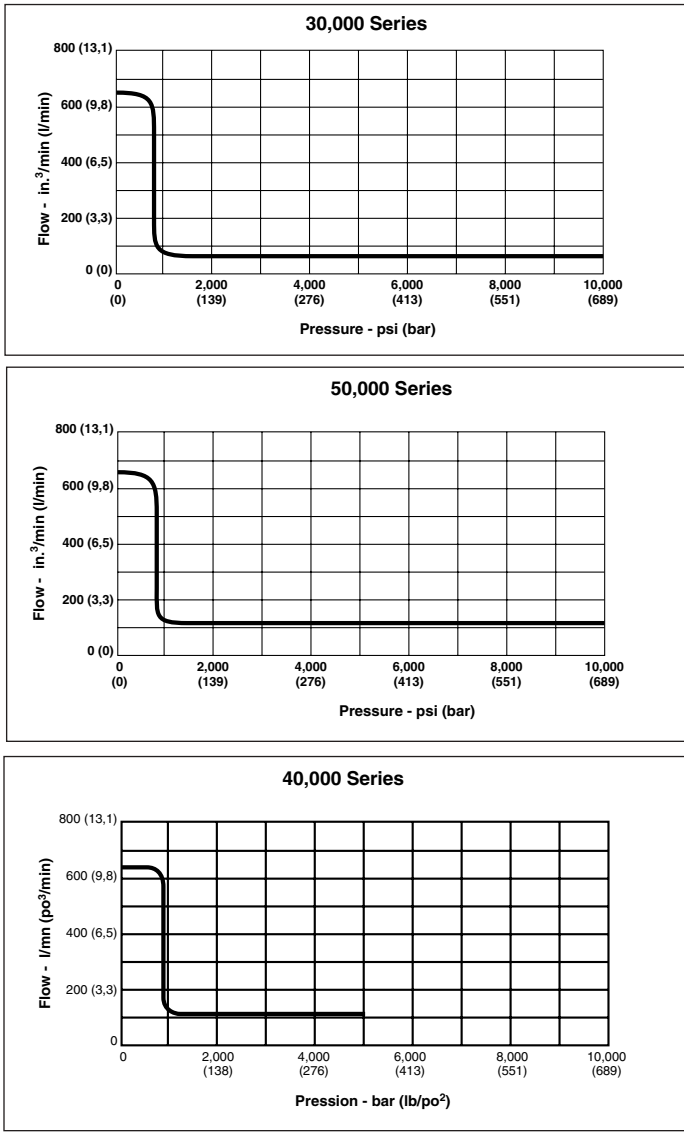


Figure 1

4.0 INSTALLATION

4.1 Valve Mounting

1. Remove the plate.
2. Put O-rings and back-ups on the connector.
3. Attach the gasket, connector assembly, and valve assembly to the pump. Do not damage the O-rings while installing the connector.

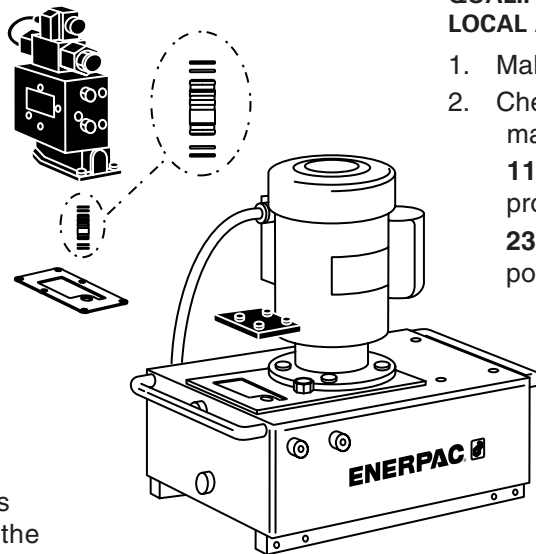


Figure 2

4.2 Pump Mounting

Two u-shaped rails are provided for mounting the pump to a fixed surface. Refer to the drawing below for mounting dimensions.

	2 Gal. [7,6 l] in. [cm]	5, 10 Gal. [19 l, 38 l] in. [cm]
A	8.07 [20,5]	13.39 [34,01]
B	6.48 [16,5]	11.64 [29,55]
C	11.97 [30,4]	18.11 [46,0]
D	0.79 [2,01]	0.89 [2,26]
E	1.04 [2,64]	1.04 [2,64]
F	1.97 [5,00]	1.97 [5,00]
G	0.39 [0,991]	0.39 [0,991]

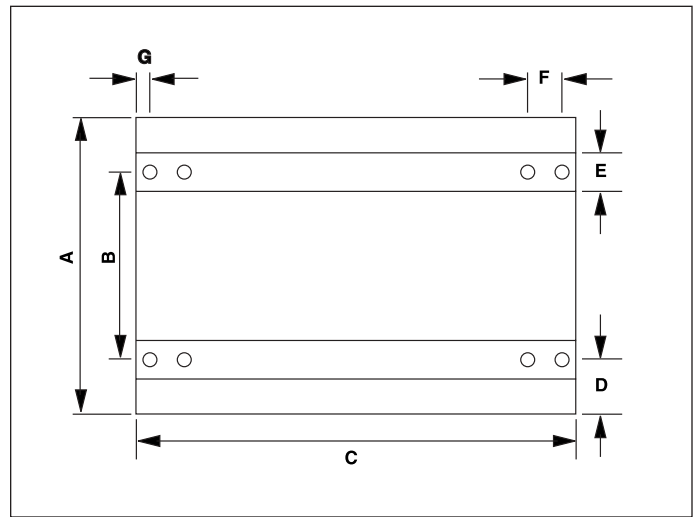


Figure 3

4.3 Electrical Connections

ELECTRICAL CONNECTIONS SHOULD BE MADE ONLY BY A QUALIFIED ELECTRICIAN, ADHERING TO ALL APPLICABLE LOCAL AND NATIONAL CODES.

1. Make sure that all power has been turned off.
2. Check that circuit protection of the line is rated for the maximum current draw of the pump.

115-1-60 Models: Plug the power cord into a properly grounded outlet.

230-1-60 Models: These units are supplied with a power cord only. Connect the appropriate plug. Plug the power cord into a properly grounded outlet.

230-3-60 Models: A 3-phase motor starter and heater element (for motor overload protection) are user-supplied and installed between the power source and the pump.

460-3-60 and 575-3-60 Models: A 3-phase motor starter and heater element (for motor overload protection) are user-supplied and installed between the power source and the

pump. Models with heat exchangers have a separate 115-volt cord which must be plugged into a 115-volt outlet.

3. Refer to the wiring diagrams below for correct wiring information. Always check for proper motor rotation and reverse leads if required.

4.4 Wiring Diagrams

PEM Manual Valve Models

A conduit box is located on the motor for connecting the power cord.

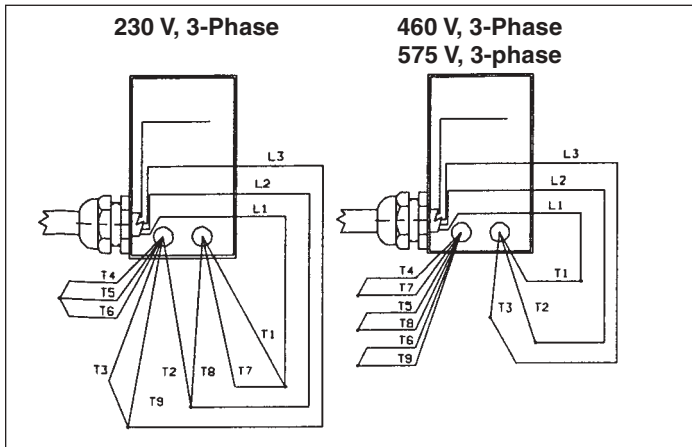


Figure 4

PED Dump Valve and PES Pressure Switch Models

An electrical enclosure is located on the reservoir for connecting the power cord.

Connect the power cord to L1, L2, and L3 terminals.

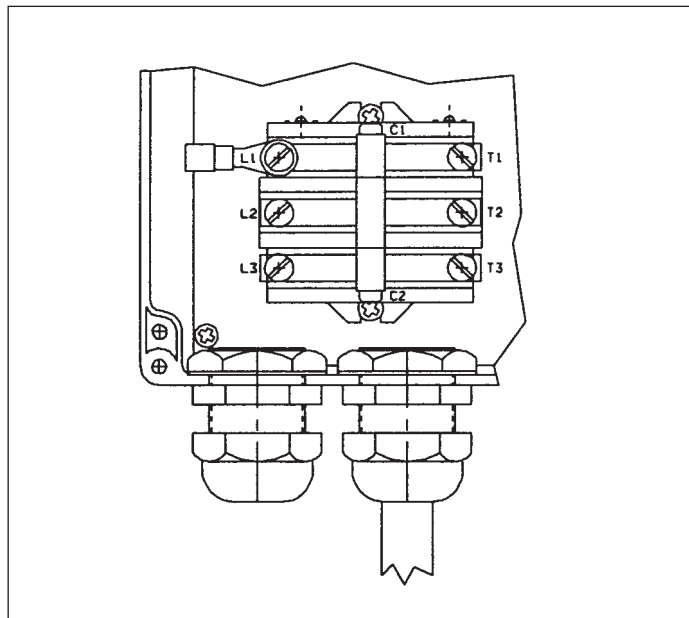


Figure 5

PEF, PER, PEV Electric Valve Models

An electrical enclosure is located on the reservoir for connecting the power cord. (See Figure 6.)

4.5 Connecting Solenoid Valve Pendant or Footswitch

Attach the cord to the solenoid valve using the connector as shown. (See Figure 7.)

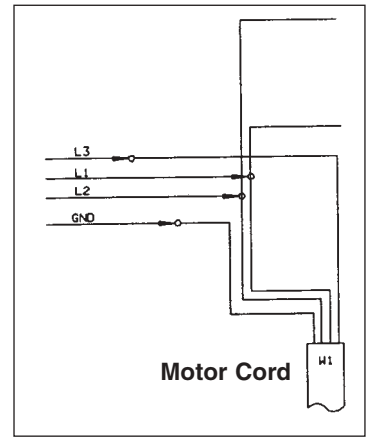


Figure 6

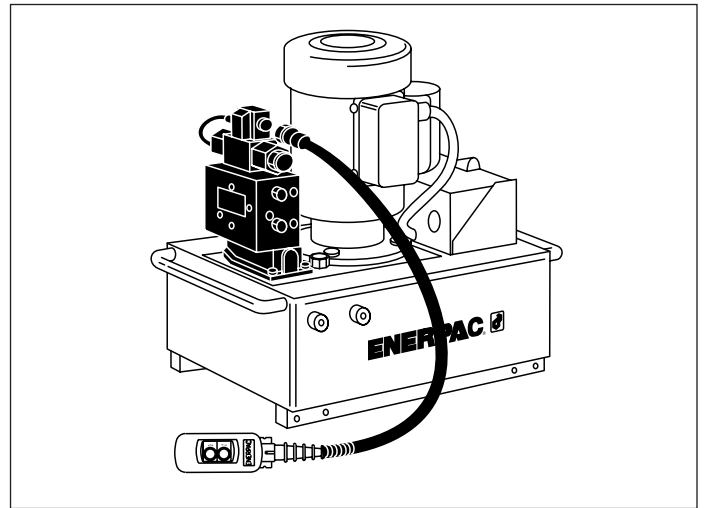


Figure 7

4.6 Oil Level Gauge

For shipping purposes, a plug is installed in the fill port on the top of the reservoir.

1. Remove shipping plug.
2. Install the oil level. (See Figure 8.)

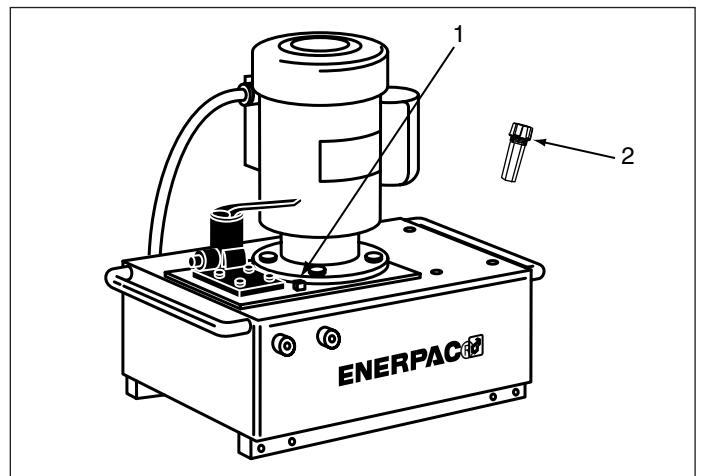


Figure 8

4.7 Fluid Level

Check the oil level of the pump prior to start-up, and add oil, if necessary, by removing the oil level gauge. The reservoir is full when oil level is 1 inch (2.5 cm) below the reservoir cover.

- 1 - Empty
- 2 - Add Oil
- 3 - In Use
- 4 - Full

IMPORTANT: Add oil only when all system components are fully retracted, or the system will contain more oil than the reservoir can hold.

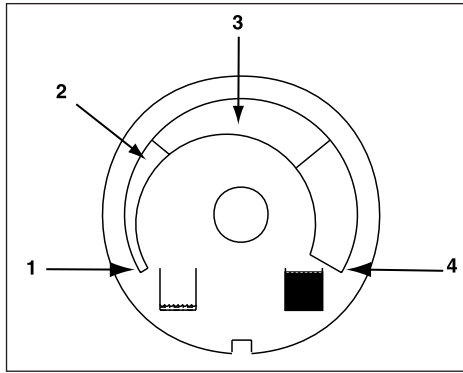


Figure 9

4.8 Hydraulic Connections

Thread hose(s) into outlet port(s) of the valve. Apply 11/2 wraps of Teflon tape or other suitable sealant to the hydraulic hose fitting, leaving the first complete thread free of tape or sealant as shown.

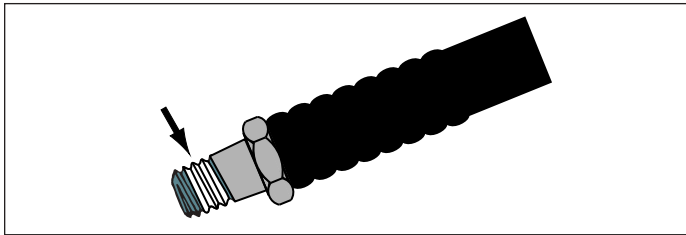


Figure 10

If a remote valve is used, connect the tank line to the return-to-tank port on top of the reservoir (see Figure 11).

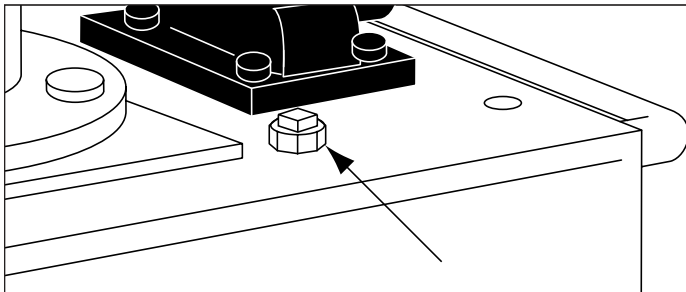


Figure 11

5.0 OPERATION

1. Check the oil level of pump and add oil if necessary.
2. Make sure the shipping plug has been removed and the level gauge is installed.
3. The control valve must be in the neutral or retract position.
4. The ON-OFF switch is located on the electrical enclosure for most models. For PEM models, the switch is located on the motor.

5.1 Valve Operation

VM-2

1. Advance
2. Retract

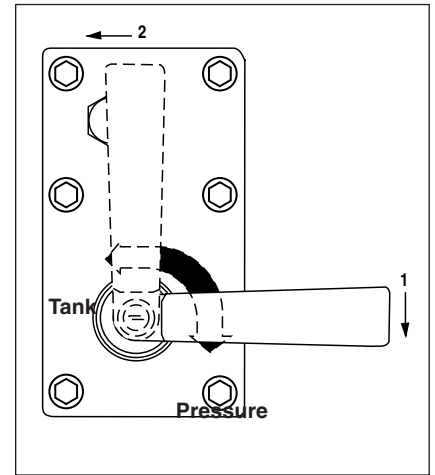


Figure 12

VM-3, VM-3L, VM-4, VM-4L

1. Advance
2. Retract
3. Neutral

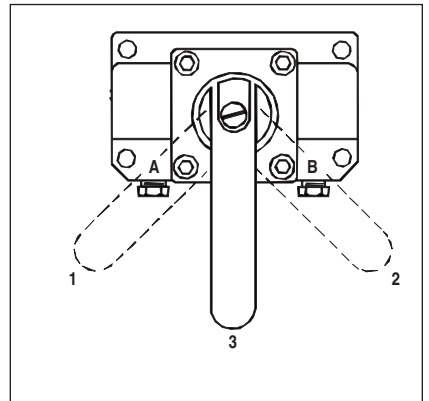


Figure 13

VS3-24 and VS4-24 Pendants

1. ADV = Advance
2. RET = Retract
3. MAN AUTO = Auto-retract, manual switch (VS3-24 only). For automatic return, set toggle switch to AUTO and use ADV button on control station only.

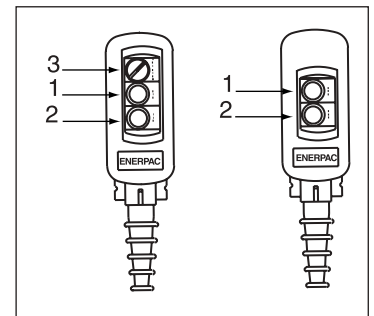


Figure 14

VS3-24 and VS-24 Foot Switches

1. Advance
2. Retract

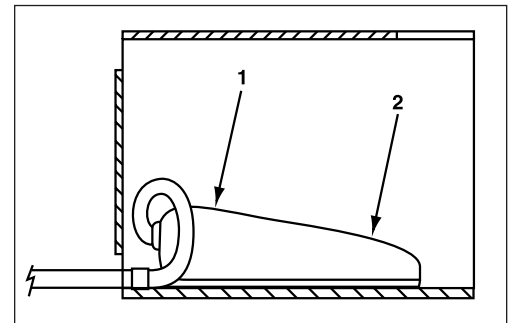


Figure 15

5.2 Dump Valve Pendant

The pump will run and the cylinder will advance when the pendant button is pressed.

Releasing the button will stop the pump. The cylinder will retract automatically.

5.3 Pressure Switch Pumps (PES Models)

These pumps shut off when a preset pressure is reached and turn on when pressure loss occurs. To set the desired pressure, follow these steps:

1. Loosen the setscrew with a #10 Allen wrench.
2. Using a screwdriver, turn the adjustment screw clockwise to raise and counterclockwise to lower the actuation pressure.
3. Tighten the setscrew.
4. Run the pump to verify the pressure settings.

Pressure switch pumps are supplied with a pressure gauge and with a manual valve for advancing and retracting the cylinder(s).

5.4 Relief Valve Adjustment

Hushh® Pumps are equipped with two relief valves. One is a factory set safety relief, which must not be adjusted or repaired, except by an Authorized Enerpac Service Center. The other relief valve can be adjusted as follows:

1. Install a gauge on the pump.
2. Start the pump to allow the oil to warm.
3. Remove the plug from the side of the reservoir (see Figure 16). Insert a 3/16 inch hex wrench in the adjusting screw, located inside the plug opening. Shift the valve and build pressure in the system. Turn the adjusting screw counter-clockwise to decrease pressure and clockwise to increase pressure.

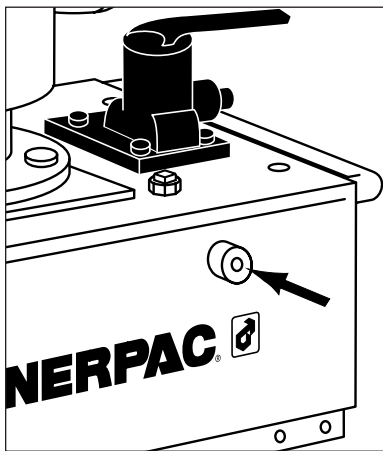


Figure 16

NOTE: The adjustable relief valve should never be bottomed out, or premature wear of the safety relief valve will result. To get the most accurate setting, decrease the pressure to a point below the final setting and then slowly increase the pressure until it reaches the final setting.

4. Shift the valve to the neutral position, allowing the system pressure to return to 0 psi.
5. Recheck the final pressure setting by shifting the valve and pressurizing the system.

6.0 MAINTENANCE

Frequently inspect all system components for leaks or damage. Repair or replace damaged components.

6.1 Check Oil Level

Check the oil level of the pump prior to start-up, and add oil, if necessary, by removing the oil level gauge. Always be sure cylinders are fully retracted before adding fluid to the reservoir.

6.2 Change Oil and Clean Reservoir

Completely drain and clean the reservoir every 250 hours, or more frequently if used in dirty environments.

NOTE: This procedure requires that you remove the pump from the reservoir. Work on a clean bench and dispose of used oil properly.

1. Unscrew the 10 bolts holding the coverplate to the reservoir and lift the pump unit out of the reservoir. Be careful not to damage the filter screen.
2. Pour all oil out of the reservoir.
3. Thoroughly clean the reservoir with a suitable cleaning agent.
4. Unscrew the bolt holding the oil filter screen and remove the screen for cleaning. Clean the screen with solvent and a soft brush. Reinstall the screen.
5. Reassemble the pump and reservoir, installing a new reservoir gasket.
6. Fill the reservoir with clean Enerpac hydraulic oil. The reservoir is full when oil level is 1 inch (2.5 cm) below the reservoir cover.

6.3 Changing the (optional) Filter Element

A suction line filter may be ordered as an accessory to the pump. The filter element should be replaced every 250 hours, or more frequently in dirty environments. The filter manifold is equipped with a 3 psi (0,2 bar) bypass to prevent cavitation if filter plugging occurs. Filter element replacement part number is PFE-250.

7.0 TROUBLESHOOTING

Only qualified hydraulic technicians should service the pump or system components. A system failure may or may not be the result of a pump malfunction. To determine the cause of the problem, the complete system must be included in any diagnostic procedure.

The following information is intended to be used only as an aid in determining if a problem exists. For repair service, contact your local Authorized Enerpac Service Center.

Problem	Possible Cause
Pump will not start	No power or wrong voltage
Motor stalls under load	Low Voltage
Electric valve will not operate	No power or wrong voltage Valve out of adjustment
Pump fails to build pressure	External leak in system Internal leak in pump Internal leak in valve Internal leak in system component
Pump builds less than full pressure	Relief valve set too low External system leak Internal leak in pump Internal leak in valve Internal leak in system component
Pump builds full pressure, but load does not move	Load greater than cylinder capacity at full pressure Flow to cylinder blocked
Cylinder drifts back on its own	External system leak Internal leak in a system component
Single-acting cylinder will not return	Valve malfunction Cylinder return spring broken Return flow restricted or blocked No load on a "load return" cylinder
Double-acting cylinder will not return	Valve malfunction Return flow restricted or blocked

L2075 Rev. C 11/99

Index:

English:	1-7
Français:.....	8-14
Deutsch:	N/A
Italiano:	N/A
Español:	15-21
Nederlands:	N/A

1.0 INSTRUCTIONS IMPORTANTES RELATIVES À LA RÉCEPTION

Inspecter tous les composants pour s'assurer qu'ils n'ont subi aucun dommage en cours d'expédition. Les dommages subis en cours de transport ne sont pas couverts par la garantie. Si les composants sont abîmés, aviser immédiatement le transporteur. Le transporteur est responsable des frais de réparation et de remplacement résultant de dommages en cours d'expédition.

LA SÉCURITÉ AVANT TOUT

2.0 SÉCURITÉ



Lire attentivement toutes les instructions et mises en garde et tous les avertissements. Suivre toutes les précautions pour éviter d'encourir des blessures ou de provoquer des dégâts matériels lors du fonctionnement du système. Enerpac ne peut pas être tenue responsable de dommages ou blessures résultant de l'utilisation risquée du produit, d'un mauvais entretien ou de l'utilisation incorrecte du produit et/ou du système. En cas de doute sur les précautions ou les applications, contacter Enerpac. Pour assurer la validité de la garantie, n'utiliser que de l'huile hydraulique Enerpac.

Respecter les mises en garde et avertissements suivants sous peine de provoquer des dégâts matériels et des blessures personnelles.

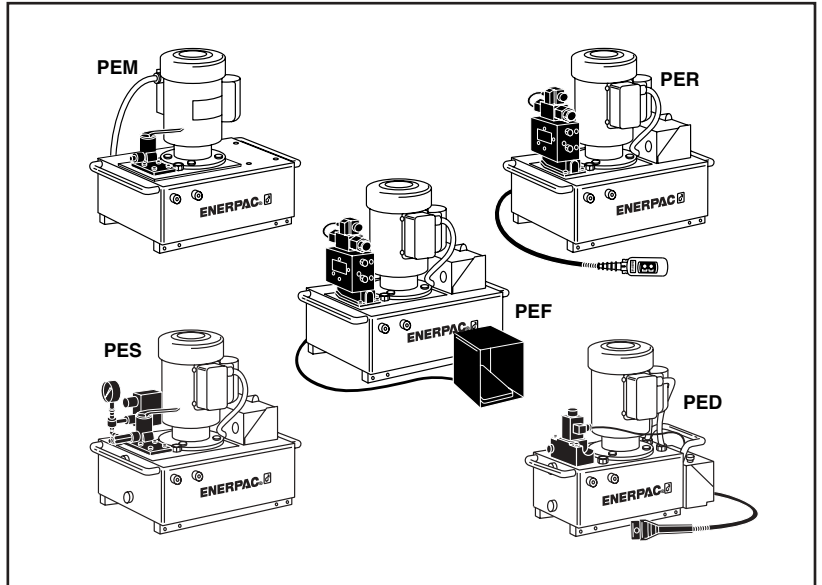
Une mention **ATTENTION** sert à indiquer des procédures d'utilisation et d'entretien correctes qui visent à empêcher d'abîmer, voire de détruire du matériel ou d'autres biens.

Un **AVERTISSEMENT** indique un danger potentiel qui exige la prise de mesures particulières pour écarter tout risque de blessure.

La mention **DANGER** n'est utilisée que lorsqu'une action ou un acte de négligence risque de causer des blessures graves, voire mortelles.



AVERTISSEMENT : Se vêtir d'un équipement de protection personnelle adéquat avant d'utiliser un appareil hydraulique.



AVERTISSEMENT : Rester à l'écart de charges soutenues par un mécanisme hydraulique. Un vérin, lorsqu'il est utilisé comme monte-charge, ne doit jamais servir de support de charge. Après avoir monté ou abaissé la charge, cette dernière doit être bloquée de manière mécanique.



DANGER : Pour écarter tout risque de blessure personnelle, maintenir les mains et les pieds à l'écart du vérin et de la pièce à usiner en cours d'utilisation.



AVERTISSEMENT : Ne pas dépasser les valeurs nominales du matériel. Ne jamais essayer de soulever une charge d'un poids supérieur à la capacité du vérin. Une surcharge entraîne la panne du matériel et risque de provoquer des blessures personnelles. Les vérins sont conçus pour résister à une pression maximale de 700 bar. Ne pas monter de cric ou de vérin sur une pompe affichant une pression nominale supérieure.



Ne **jamais** régler la soupape de sûreté à une pression excédant la pression nominale maximale de la pompe sous peine de provoquer des dégâts matériels et/ou des blessures personnelles.



AVERTISSEMENT : La pression de fonctionnement du système ne doit pas dépasser la pression nominale du composant du système affichant la plus petite pression. Installer des manomètres dans le système pour surveiller la pression de fonctionnement. Ils permettront de vérifier ce qui se passe dans le système.



ATTENTION : Éviter d'endommager le tuyau hydraulique. Éviter de plier et de tordre les tuyaux hydrauliques lors de leur agencement. Un tuyau plié ou tordu entraînera un fort retour de pression. Les plis et coudes prononcés endommageront par ailleurs l'intérieur du tuyau, provoquant une usure précoce.



Ne pas faire tomber d'objets lourds sur le tuyau. Un fort impact risque d'abîmer l'intérieur des torons métalliques du tuyau. L'application d'une pression sur un tuyau endommagé risque d'entraîner sa rupture.



IMPORTANT : Ne pas soulever le matériel hydraulique au moyen de ses tuyaux ou de ses raccords articulés. Utiliser la poignée de transport ou un autre moyen de transport sûr.



ATTENTION : Garder le matériel hydraulique à l'écart de flammes et des sources de chaleur. Une température excessive amollira les garnitures et les joints et provoquera par conséquent des fuites. La chaleur affaiblit également les matériaux et les garnitures du tuyau. Pour une performance maximale, **ne pas** exposer le matériel à une température supérieure ou égale à 65°C [150°F]. Protéger tuyaux et vérins des projections de soudure.



DANGER : Ne pas manipuler les tuyaux sous pression. L'huile sous pression qui risque de s'en échapper peut pénétrer à travers la peau et provoquer des blessures graves. En cas d'injection d'huile sous la peau, contacter immédiatement un médecin.



AVERTISSEMENT : Utiliser uniquement des vérins hydrauliques dans un système couplé. Ne jamais utiliser un vérin en présence de raccords déconnectés. La surcharge du vérin peut avoir des effets désastreux sur ses composants, qui peuvent causer des blessures graves.



IMPORTANT : Le matériel hydraulique doit uniquement être réparé par un technicien hydraulique qualifié. Pour toute réparation, contacter le centre de réparation ENERPAC agréé le plus proche. Pour assurer la validité de la garantie, n'utiliser que de l'huile ENERPAC.



AVERTISSEMENT S'ASSURER DE LA STABILITÉ DE L'ENSEMBLE AVANT DE LEVER UNE CHARGE.

Le vérin doit être placé sur une surface plane capable de supporter la charge. Lorsqu'applicable, utiliser une base de vérin pour accroître la stabilité. Ne pas souder ou modifier le vérin de quelque façon que ce soit pour y fixer une base ou un autre dispositif de support.



Éviter les situations où les charges ne sont pas directement centrées sur le piston du vérin. Les charges décentrées imposent un effort considérable au vérins et pistons. En outre, la charge risque de glisser ou de tomber, ce qui crée un potentiel de danger.



AVERTISSEMENT : Remplacer immédiatement les pièces usées ou endommagées par des pièces ENERPAC authentiques. Les pièces de qualité standard se casseront et provoqueront des blessures et des dégâts matériels. Les pièces ENERPAC sont conçues pour s'ajuster parfaitement et résister à de fortes charges.



IMPORTANT : Le matériel hydraulique doit uniquement être réparé par un technicien hydraulique qualifié. Pour toute réparation, contacter le centre de réparation ENERPAC agréé le plus proche. Pour assurer la validité de la garantie, n'utiliser que de l'huile ENERPAC.



AVERTISSEMENT : Remplacer immédiatement les pièces usées ou endommagées par des pièces ENERPAC authentiques. Les pièces de qualité standard se casseront et provoqueront des blessures et des dégâts matériels. Les pièces ENERPAC sont conçues pour s'ajuster parfaitement et résister à de fortes charges.

CARACTÉRISTIQUES

	Série 30	Série 40	Série 50
Rapport débit/pression ★	10,5 l/mn à 0-62 bar [640 po ³ /min à 0-900 lb/po ²]		
	0,98 l/mn à 62-700 bar [60 po ³ /min à 900-10000 lb/po ²]	1,96 l/mn à 62-350 bar [120 po ³ /min à 900-5000 lb/po ²]	1,96 l/mn à 62-700 bar [120 po ³ /min à 900-10000 lb/po ²]
Options de tension d'alimentation	115-1-60 230-1-60 230-3-60 460-3-60 575-3-60		230-3-60 460-3-60 575-3-60
Prélèvement du moteur	22 A à une pression maxi. de 115-1-60 11 A à une pression maxi. de 230-1-60 5,4 A à une pression maxi. de 230-3-60 2,7 A à une pression maxi. de 460-3-60 2,2 A à une pression maxi. de 575-3-60		10 A à une pression maxi. de 230-3-60 5,0 A à une pression maxi. de 460-3-60 4,7 A à une pression maxi. de 575-3-60
Plage de réglage du clapet de décharge	55-700 bar [800 - 10000 lb/po ²]	55-350 bar [800 - 5000 lb/po ²]	55-700 bar [800 - 10000 lb/po ²]
Plage de températures ambiantes	-5°C à 40°C (23°F à 104°F)		
Température de fonctionnement du fluide maxi. recommandée	65,5°C (150°F)		
Niveau sonore	68-72 dBA	70-74 dBA	70-77 dBA
★ Débits indiqués à 60 Hz, multipliez par 5/6 pour débits à 50 Hz			



AVERTISSEMENT : Ne pas utiliser de pompes électriques en présence de vapeurs explosives. Respecter tous les codes locaux et gouvernementaux. L'installation et les modifications doivent être confiées à un électricien qualifié.



AVERTISSEMENT : Démarrer la pompe avec la vanne en position neutre pour empêcher l'actionnement accidentel du vérin. Garder les mains à l'écart des pièces mobiles et des flexibles sous pression.

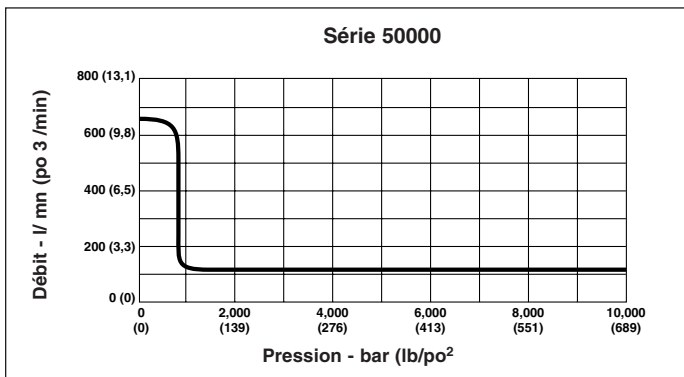
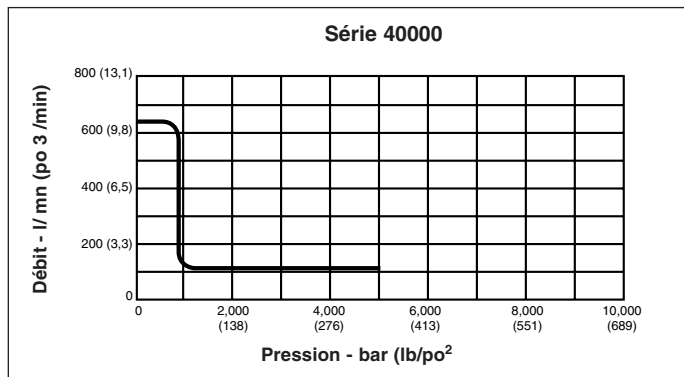
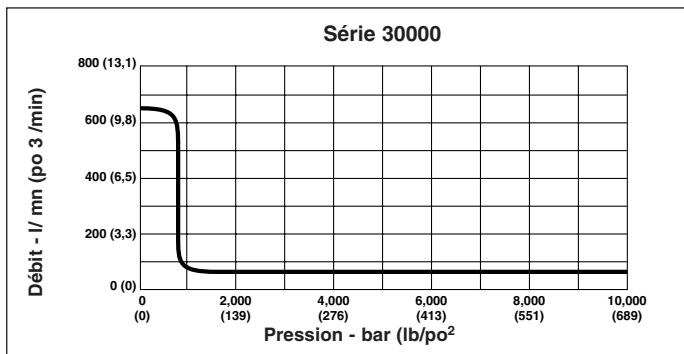


AVERTISSEMENT : Ces pompes sont équipées de clapets de décharge réglés en usine dont les réparations ou réglages doivent exclusivement être confiés à un centre de réparation Enerpac agréé.



AVERTISSEMENT : Pour éviter des dommages au moteur électrique, consulter les caractéristiques. L'usage d'une tension d'alimentation incorrecte causera des dommages au moteur.

3.0 TABLEAUX DE DÉBITS (à 60 hz)



4.0 INSTALLATION

4.1 Installation de la vanne

1. Retirer la plaque.
2. Monter les joints toriques et bagues d'appui sur le connecteur.
3. Monter le joint, le connecteur et la vanne sur la pompe. Veiller à ne pas endommager les joints toriques lors de l'installation du connecteur.

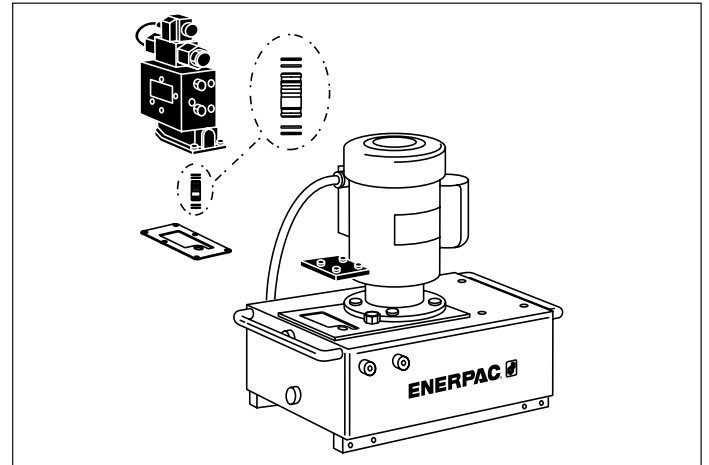


Figure 2

4.2 Installation de la pompe

Deux rails en U sont fournis pour le montage de la pompe sur une surface fixe. Voir les dimensions de montage du schéma ci-dessous.

	7,6 l [2 Gal.] po [cm]	19 l [5 Gal.] po [cm]
A	20,5 [8.07]	34,01 [13.39]
B	16,5 [6.48]	29,55 [11.64]
C	30,4 [11.97]	46,0 [18.11]
D	2,01 [0.79]	2,26 [0.89]
E	2,64 [1.04]	2,64 [1.04]
F	5,00 [1.97]	5,00 [1.97]
G	0,991 [0.39]	0,991 [0.39]

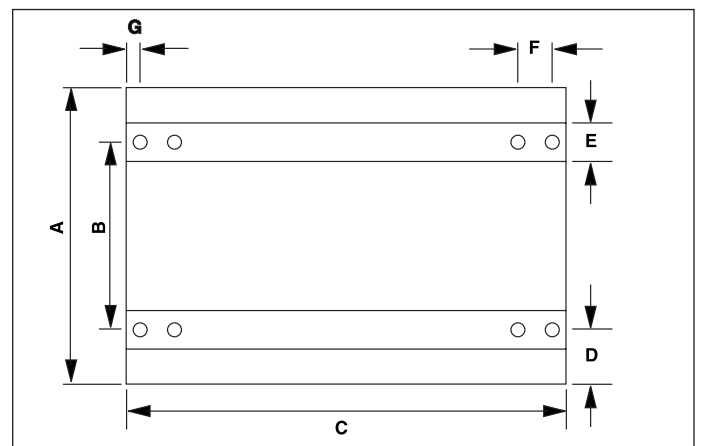


Figure 3

4.3 Branchements électriques

LES BRANCHEMENTS ÉLECTRIQUES DOIVENT ÊTRE EXCLUSIVEMENT CONFÉIÉS À UN ÉLECTRICIEN QUALIFIÉ ET SE CONFORMER À TOUS LES CODES LOCAUX ET GOUVERNEMENTAUX APPLICABLES.

1. S'assurer que l'alimentation électrique est coupée.
2. Vérifier que la protection de la ligne est suffisante pour le prélèvement électrique maximum de la pompe.

Modèles 115-1-60 : Brancher le cordon d'alimentation dans une prise correctement mise à la terre.

Modèles 230-1-60 : Seul le cordon d'alimentation est fourni avec ces pompes. Monter une fiche adéquate. Brancher le cordon d'alimentation dans une prise correctement mise à la terre.

Modèles 230-3-60 : Un démarreur triphasé et un élément thermique (pour la protection de surcharge du moteur) doivent être fournis par l'utilisateur et installés entre la source d'alimentation et la pompe.

Modèles 460-3-60 et 575-3-60 : Un démarreur triphasé et un élément thermique (pour la protection de surcharge du moteur) doivent être fournis par l'utilisateur et installés entre la source d'alimentation et la pompe. Les modèles à échangeur thermique sont équipés d'un cordon d'alimentation 115 volts qui doit être branché dans une prise de même tension.

3. Voir les schémas de la page 11 pour le câblage correct. Toujours vérifier le sens de rotation du moteur et inverser les pôles si nécessaire.

4.4 Schémas de câblage

Modèles PEM à vanne manuelle

Une boîte de connexion, installée sur le moteur, permet le branchement du cordon d'alimentation.

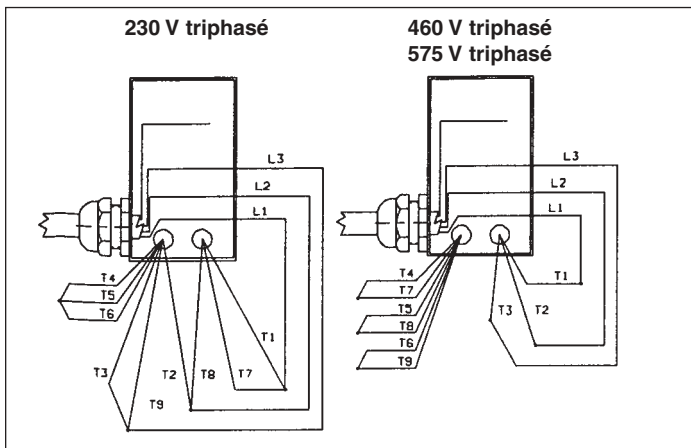


Figure 4

Modèles à vanne de décharge PED et manostat PES

Un boîtier de jonction, placé sur le réservoir permet de brancher le cordon d'alimentation. Brancher les fils du cordon sur les bornes L1, L2 et L3.

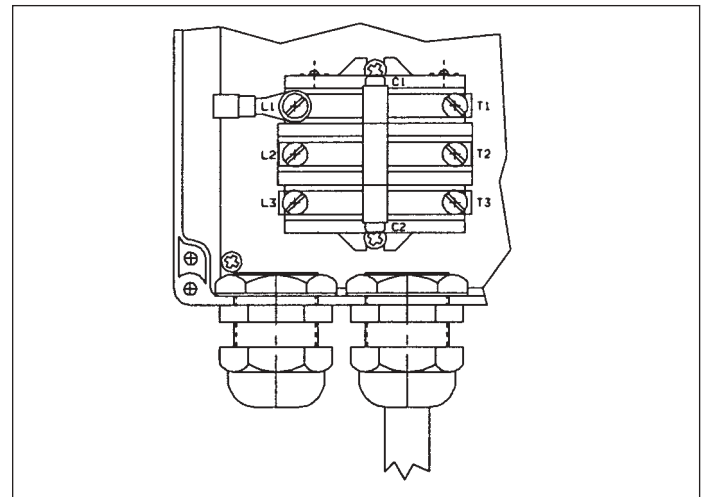


Figure 5

Modèles à vanne électrique PEF, PER, et PEV

Un boîtier de jonction, placé sur le réservoir permet de brancher le cordon d'alimentation.

4.5 Branchement de l'interrupteur à gland ou à pied de l'électrovanne

Brancher le cordon sur l'électrovanne au moyen des connecteurs, comme illustré.

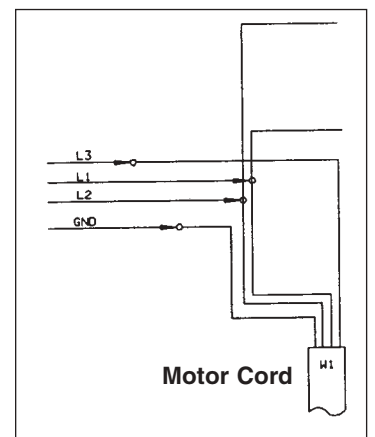


Figure 6

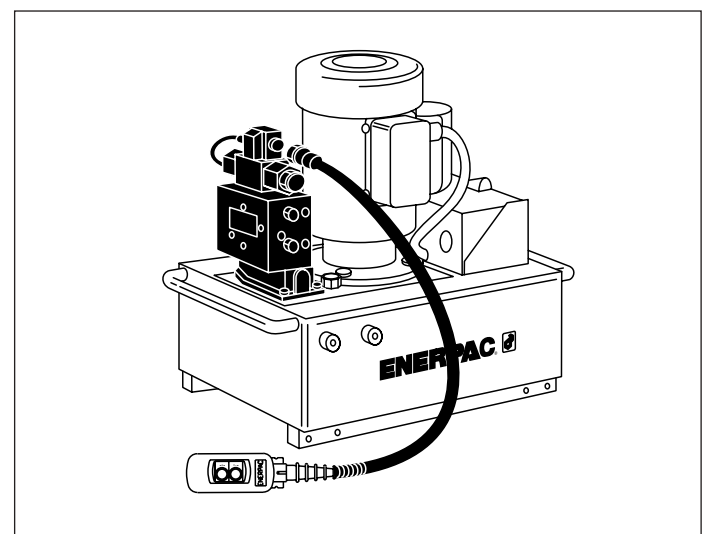


Figure 7

4.6 Jauge d'huile

1. Pour l'expédition, un bouchon a été posé dans l'orifice de remplissage, sur le dessus du réservoir. Le retirer.
2. Installer la jauge d'huile fournie avec la pompe.

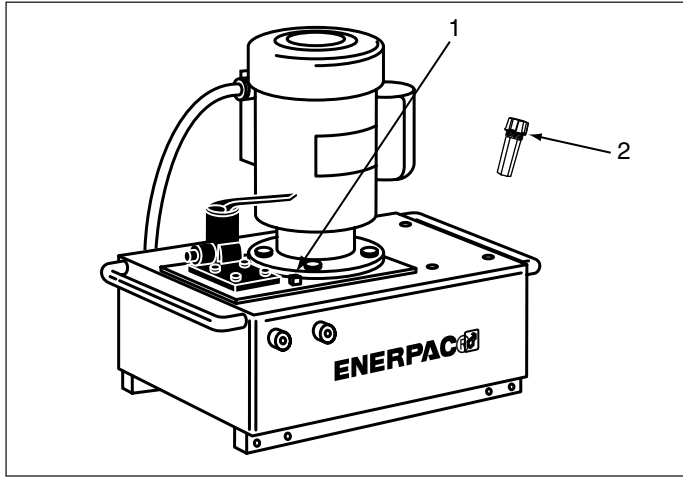


Figure 8

4.7 Niveau d'huile

Vérifier le niveau d'huile de la pompe avant le démarrage et, si nécessaire, retirer la jauge pour faire l'appoint. Le réservoir est plein lorsque le niveau d'huile se trouve à 2,5 cm [1 po] au-dessous du couvercle du réservoir.

- 1 - Vide
- 2 - Ajouter de l'huile
- 3 - En service
- 4 - Plein

IMPORTANT : N'ajouter de l'huile que lorsque tous les composants sont complètement rétractés, sans quoi le système contiendra une quantité d'huile dépassant la capacité du réservoir.

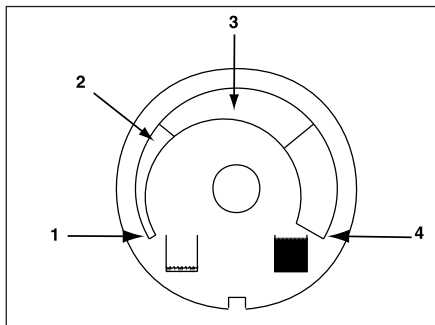


Figure 9

4.8 Branchements hydrauliques

Visser le(s) flexible(s) dans le (les) orifice(s) de sortie de la vanne. Envelopper le filetage du raccord de flexible hydraulique de 1 1/2 tour de ruban Téflon (ou autre matériau d'étanchéité adéquat, en laissant le premier tour de filetage découvert, comme illustré.

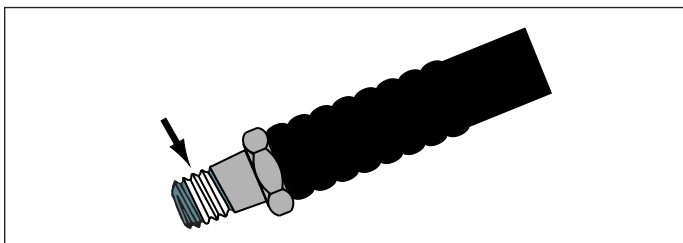


Figure 10

Si une vanne à distance est utilisée, brancher la conduite du réservoir sur l'orifice de retour, en haut du réservoir.

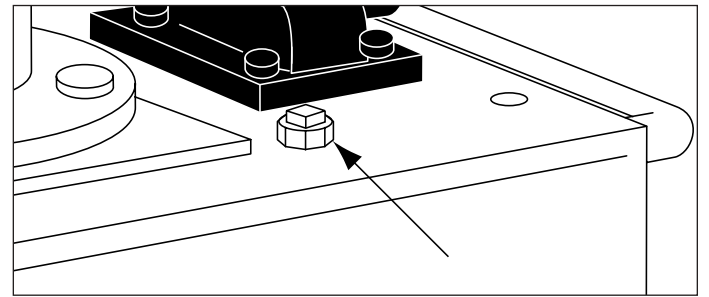


Figure 11

5.0 FONCTIONNEMENT

1. Vérifier le niveau d'huile dans la pompe et faire l'appoint si nécessaire.
2. Vérifier que le bouchon d'expédition a été retiré et que la jauge de niveau est installée.
3. La vanne de commande doit être en position neutre ou de rétraction.
4. Sur la plupart des modèles, l'interrupteur MARCHÉ/ARRÊT se trouve sur le boîtier électrique. Sur les modèles PEM, il est placé sur le moteur.

5.1 Fonctionnement de la vanne

VM-2

1. Extension
2. Rétraction

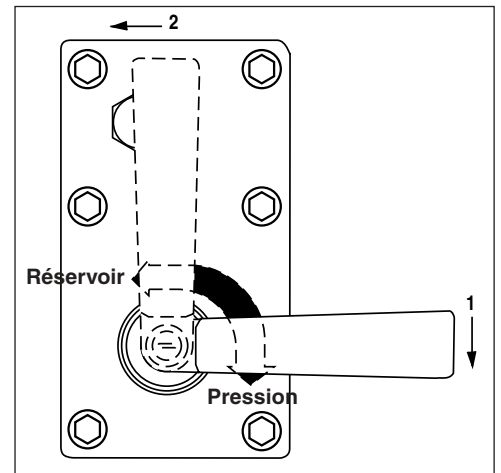


Figure 12

VM-3, VM-3L, VM-4, VM-4L

1. Extension
2. Rétraction
3. Neutre

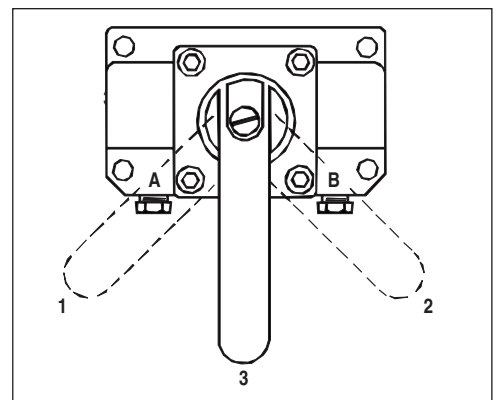


Figure 13

Interrupteurs à gland VS3-24 et VS4-24

1. Extension
2. Rétraction
3. Retour automatique, interrupteur manuel (VS3-24 seulement). Pour un retour automatique, positionner l'interrupteur sur AUTO et utiliser uniquement le bouton avance de la commande.

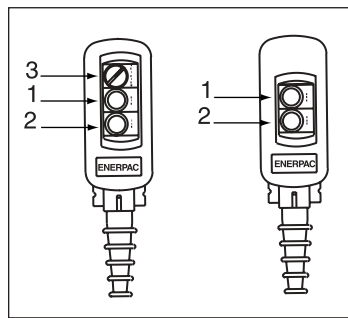


Figure 14

Interrupteurs à pied VS3-24 et VS4-24

1. Extension
2. Rétraction

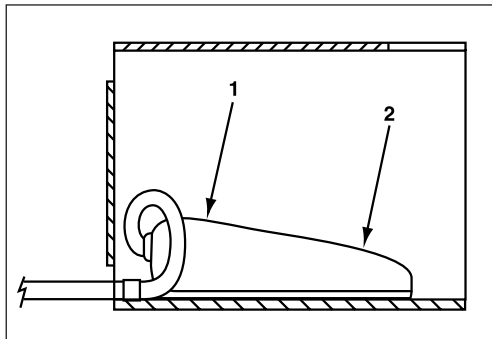


Figure 15

5.2 Interrupteur à gland de la vanne de décharge

La pompe tourne et le vérin s'étend lorsque le bouton de l'interrupteur à gland est enfoncé. La pompe s'arrête lorsque le bouton est relâché. Le vérin se rétracte automatiquement.

5.3 Pompes à manostat (série PES)

Ces pompes s'arrêtent lorsqu'une pression pré réglée est atteinte et se mettent en marche en cas de perte de pression. Pour régler la pression, procéder comme suit :

1. Desserrer la vis d'arrêt avec une clé Allen no. 10.
2. À l'aide d'un tournevis, tourner la vis de réglage vers la droite pour augmenter la pression et vers la gauche pour la réduire.
3. Resserrer la vis d'arrêt.
4. Faire tourner la pompe pour vérifier le réglage de pression.

Un manomètre et une vanne manuelle pour l'extension et la rétraction du (des) vérin(s) sont fournis avec les pompes à manostat.

5.4 Réglage du clapet de décharge

Les pompes Hushh® sont équipées de deux clapets de décharge. L'un est un clapet de sûreté réglé en usine et ne doit être ajusté ou réparé que par un centre de réparations Enerpac agréé. L'autre peut être réglé comme suit :

1. Installer un manomètre sur la pompe.
2. Démarrer la pompe et laisser l'huile se réchauffer.

3. Retirer le bouchon du côté du réservoir (voir la figure 16). Insérer une clé hexagonale de 3 /16 po dans la vis de réglage se trouvant à l'intérieur de l'ouverture. Fermer le clapet et laisser la pression monter dans le système. Tourner la vis de réglage vers la gauche pour réduire la pression et vers la droite pour l'augmenter.

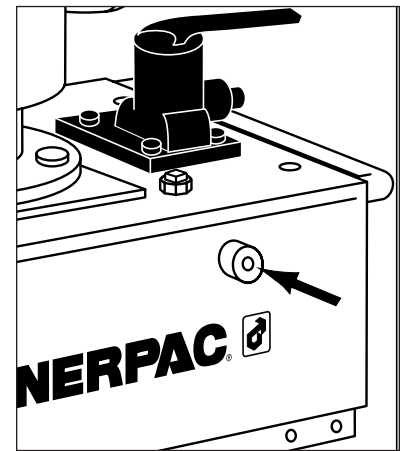


Figure 16

NOTE : Le clapet de décharge réglable ne doit jamais être ouvert à fond. Ceci causerait l'usure prématurée du clapet de sûreté. Pour obtenir le réglage le plus précis, réduire la pression au-dessous du réglage final puis l'augmenter lentement jusqu'à ce que la pression désirée soit atteinte.

4. Mettre le clapet en position neutre pour laisser la pression du système retomber à 0.
5. Vérifier à nouveau le réglage final en fermant le clapet pour mettre le système sous pression.

6.0 ENTRETIEN

Inspecter fréquemment tous les composants du système en vue de fuites ou de dommages. Réparer ou remplacer les pièces endommagées.

6.1 Vérification du niveau d'huile

Vérifier le niveau d'huile de la pompe avant le démarrage et, si nécessaire, retirer la jauge pour faire l'appoint. Toujours s'assurer que les vérins sont complètement rétractés avant d'ajouter de l'huile dans le réservoir.

6.2 Vidange de l'huile et nettoyage du réservoir

Vidanger et nettoyer complètement le réservoir toutes les 250 heures ou plus souvent si la pompe est utilisé dans un environnement poussiéreux.

NOTE : Cette procédure exige de sortir la pompe du réservoir. Travailler sur un établi propre et mettre l'huile au rebut selon les méthodes appropriées.

1. Dévisser les 10 boulons de fixation de la plaque-couvercle sur le réservoir et sortir la pompe. Veiller à ne pas endommager le filtre à tamis.
2. Vider toute l'huile du réservoir.
3. Nettoyer soigneusement le réservoir avec un produit approprié.
4. Desserrer le boulon de fixation du filtre à tamis et retirer ce dernier pour le nettoyer. Nettoyer le filtre avec un solvant et une brosse douce. Le remettre en place.
5. Remettre la pompe en place dans le réservoir et installer un nouveau joint de couvercle.

6. Remplir le réservoir d'huile hydraulique Enerpac propre. Le réservoir est plein lorsque le niveau d'huile se trouve à 2,5 cm [1 po] au-dessous du couvercle.

6.3 Nettoyage de l'élément de filtre (option).

Un filtre de conduite d'aspiration en option est disponible sur commande. L'élément du filtre doit être remplacé toutes les 250 heures, et plus fréquemment dans les environnements poussiéreux. Le bloc foré du filtre est équipé d'un bypass de 0,2 bar (3 lb/po²) pour empêcher la cavitation en cas de colmatage du filtre. Le numéro de référence pour la commande de filtres de rechange est PFE-250.

7.0 DÉPANNAGE

La pompe et les composants du système ne doivent être réparés que par des techniciens qualifiés en hydraulique. Une défaillance du système peut ou non être causée par un dysfonctionnement de la pompe. Pour déterminer la cause du problème, l'ensemble du système doit être inclus dans la procédure de diagnostic.

Les informations suivantes ne sont fournies qu'à titre indicatif afin de déterminer l'existence d'un problème. Pour les réparations, contacter le centre local Enerpac agréé.

Problème	Cause Possible
La pompe ne démarre pas.	Pas d'alimentation ou tension incorrecte.
Le moteur cale sous la charge.	Tension insuffisante.
La vanne électrique ne fonctionne pas	Pas d'alimentation ou tension incorrecte. Vanne dérégulée.
La pompe ne fait pas monter la pression.	Fuite externe du système. Fuite interne de la pompe. Fuite interne de la vanne. Fuite interne d'un composant du système.
La pompe ne parvient pas à fournir la pression nécessaire.	Réglage du clapet de décharge trop bas. Fuite externe du système. Fuite interne de la pompe. Fuite interne de la vanne. Fuite interne d'un composant du système.
La pompe fournit la pression nécessaire, mais la charge ne bouge pas.	La charge excède la capacité du vérin à la pression maximum. Alimentation en huile du vérin bloquée.
Le vérin se rétracte de lui-même.	Fuite externe du système. Fuite interne d'un composant du système.
Le vérin à simple effet ne se rétracte pas.	Dysfonctionnement de vanne. Ressort de rappel du vérin brisé. Ligne de retour bloquée ou obstruée. Pas de charge sur un vérin de «retour de charge».
Le vérin à double effet ne se rétracte pas.	Dysfonctionnement de vanne. Ligne de retour bloquée ou obstruée.

L2075 Rev. C 11/99

Index:

English:	1-7
Français:.....	8-14
Deutsch:	N/A
Italiano:	N/A
Español:	15-21
Nederlands:	N/A

1.0 INSTRUCCIONES IMPORTANTES DE RECEPCIÓN

Inspeccione visualmente todos los componentes para verificar que no hayan sufrido daños durante el transporte. Los daños producidos durante el transporte **no** están cubiertos por la garantía. Si se produjeron daños, notifique inmediatamente a la empresa de transporte. Dicha empresa deberá asumir los costos de reparación o reemplazo debido a los daños producidos durante el transporte.

LA SEGURIDAD ANTE TODO

2.0 SEGURIDAD



Lea cuidadosamente todas las precauciones, advertencias e instrucciones. Siga todas las precauciones de seguridad para evitar lesiones personales o daños materiales durante el funcionamiento del sistema. Enerpac no se hará responsable por daños o lesiones que resulten del uso inseguro, falta de mantenimiento, u operación incorrecta del producto o del sistema. Comuníquese con Enerpac cuando tenga dudas acerca de las precauciones de seguridad y las aplicaciones. Para no invalidar la garantía, use solamente aceite hidráulico Enerpac.

Si no se acatan las advertencias y precauciones siguientes se pueden producir daños en el equipo o lesiones personales.

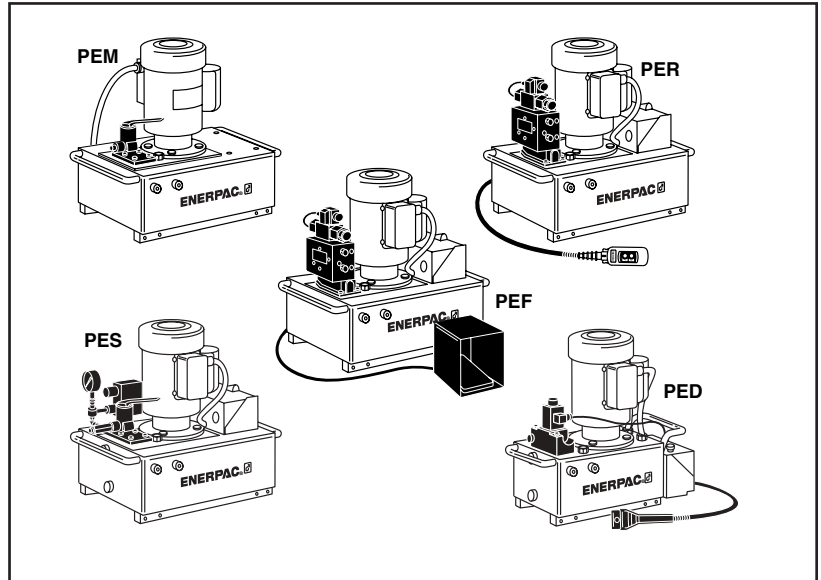
Una **PRECAUCIÓN** indica procedimientos o prácticas de funcionamiento o mantenimiento correctos que evitan daños o destrucción de equipos o propiedad.

Una **ADVERTENCIA** indica un peligro potencial que requiere prácticas o procedimientos correctos para evitar lesiones personales.

Un **PELIGRO** indica una acción o falta de acción que podría causar lesiones graves o mortales.



ADVERTENCIA: Use equipo de protección personal adecuado al operar equipos hidráulicos.



ADVERTENCIA: Manténgase alejado de las cargas sostenidas por equipos hidráulicos. Un cilindro, cuando se utiliza como dispositivo para levantar carga, nunca se debe emplear como dispositivo para sostener carga. Siempre trabe mecánicamente la carga una vez que se haya levantado o bajado.



PELIGRO: Para evitar lesiones personales, mantenga las manos y los pies alejados del cilindro y de la pieza de trabajo durante el funcionamiento del equipo.



ADVERTENCIA: No exceda las capacidades nominales del equipo. Nunca intente levantar una carga cuyo peso sea superior a la capacidad del cilindro. Las sobrecargas provocan fallas en el equipo y posibles lesiones personales. Los cilindros están diseñados para soportar una presión máxima de 700 bar. Nunca conecte el gato o el cilindro a una bomba que tenga un régimen de presión superior.



Nunca ajuste la válvula de alivio a una presión superior al régimen de presión máximo de la bomba. Un ajuste superior puede dañar el equipo o provocar lesiones personales.



PRECAUCIÓN: Evite dañar las mangueras hidráulicas. Al tender las mangueras hidráulicas evite que se doblen o retuerzan. El uso de mangueras dobladas o retorcidas producirá una contrapresión excesiva. Además los dobleces abruptos producirán daños internos en la manguera por lo que ésta fallará prematuramente.



No deje caer objetos pesados sobre la manguera. Un golpe fuerte podría dañar internamente los hebras de alambre de la manguera. Una manguera dañada puede romperse al aplicarle presión.



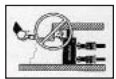
IMPORTANTE: No levante los equipos hidráulicos por las mangueras ni por los acoples giratorios. Utilice la manija de transporte u otro medio de transporte seguro.



PRECAUCIÓN: Mantenga los equipos hidráulicos lejos de las llamas o el calor. El calor excesivo ablandará los retenes y los sellos, provocando fugas de líquidos. Además, el calor debilita el material y los retenes de las mangueras. Para obtener un rendimiento óptimo, no exponga el equipo a temperaturas superiores a los 65°C [150°F]. Proteja las mangueras y los cilindros de las chispas de soldadura.



PELIGRO: No manipule mangueras presurizadas. Una fuga de aceite bajo presión puede penetrar la piel causando lesiones graves. Si penetra aceite en la piel, acuda inmediatamente a un médico.



ADVERTENCIA: Solamente utilice cilindros hidráulicos en sistemas acoplados. Nunca use un cilindro si los acoples están desconectados. Si los cilindros se sobrecargan excesivamente, los componentes pueden fallar irreversiblemente, provocando lesiones personales graves.



IMPORTANTE: Los equipos hidráulicos deben ser reparados por un técnico hidráulico calificado. Para efectuar reparaciones, comuníquese con el Centro de servicio ENERPAC autorizado más cercano. Para no invalidar la garantía, utilice sólo aceite ENERPAC.



ADVERTENCIA: Reemplace inmediatamente las piezas desgastadas o dañadas usando componentes ENERPAC genuinos. Las piezas estándar de otros fabricantes se romperán provocando lesiones personales y daños materiales. Los componentes ENERPAC están diseñados para que calcen correctamente y soporten grandes cargas.



ADVERTENCIA: ASEGURESE QUE EL EQUIPO SEA ESTABLE ANTES DE LEVANTARLA CARGA.

El cilindro debe colocarse sobre una superficie plana capaz de soportar la carga. De ser necesario, utilice una base de cilindro para mayor estabilidad. No suelde ni modifique el cilindro en modo alguno para fijarle una base u otro medio de soporte.



Evite las situaciones en las cuales las cargas no estén directamente centradas sobre el émbolo del cilindro. Las cargas descentradas producen un esfuerzo considerable sobre los cilindros y los Émbolos. Además, la carga podría resbalar o caerse, creando situaciones potencialmente peligrosas.



Distribuya la carga uniformemente sobre la superficie total del asiento del cilindro. Siempre utilice un asiento para proteger el émbolo cuando no se usen accesorios roscados.



IMPORTANTE: Los equipos hidráulicos deben ser reparados por un técnico hidráulico calificado. Para efectuar reparaciones, comuníquese con el Centro de servicio ENERPAC autorizado más cercano. Para no invalidar la garantía, utilice sólo aceite ENERPAC.



ADVERTENCIA: Reemplace inmediatamente las piezas desgastadas o dañadas usando componentes ENERPAC genuinos. Las piezas estándar de otros fabricantes se romperán provocando lesiones personales y daños materiales. Los componentes ENERPAC están diseñados para que calcen correctamente y soporten grandes cargas.

3.0 ESPECIFICACIONES

	Serie 30	Serie 40	Serie 50
Presión vs.caudal	10,5 ¹ /min a 0-62 bar [640 pulg ³ /min a 0-900 psi]		
	0,98 ¹ /min a 62-700 bar [60 po ³ /min a 900-10000 psi]	[1,96 ¹ /min a 62-350 bar] [120 po ³ /min a 900-5000 psi]	1,96 ¹ /min a 62-700 bar [120 po ³ /min a 900-10000 psi]
Opciones de corriente del motor	115-1-60 230-1-60 230-3-60 460-3-60 575-3-60		230-3-60 460-3-60 575-3-60
Consumo de corriente del motor	22 amperios a presión máx. a 115-1-60 11 amperios a presión máx. a 230-1-60 5,4 amperios a presión máx. a 230-3-60 2,7 amperios a presión máx. a 460-3-60 2,2 amperios a presión máx. a 575-3-60		10 amperios a presión máx. a 230-3-60 5,0 amperios a presión máx. a 460-3-60 4,7 amperios a presión máx. a 575-3-60
Intervalo de ajuste de válvula de alivio	55-700 bar [800 - 10000 psi]	[55-350 bar] [800 - 5000 psi]	[55-700 bar] [800 - 10000 psi]
Gama de temperatura ambiente	-5°C a 40°C (23°F a 104°F)		
Temperatura máx. recomendada del fluido	65,5°C (150°F)		
Nivel de ruido	68-72 dBA	70-74 dBA	70-77 dBA
★ Todos los datos de flujo están a 60 Hz, los datos a 50 Hz serían 5/6 de estos números.			



ADVERTENCIA: No utilice bombas eléctricas en un ambiente explosivo. Observe las disposiciones de los códigos eléctricos locales y nacionales. Los trabajos de instalación y modificación debe efectuarlos un electricista competente.



ADVERTENCIA: Arranque la bomba con su válvula en punto muerto para evitar el accionamiento inesperado de los cilindros. Mantenga las manos alejadas de las piezas en movimiento y de las mangueras presurizadas.



ADVERTENCIA: Estas bombas tienen válvulas de alivio que han sido ajustadas en fábrica, las cuales sólo deben ser reparadas o ajustadas por un centro de servicio autorizado de Enerpac.



ADVERTENCIA: Para evitar dañar el motor eléctrico, compruebe las especificaciones. Si se usa una fuente de alimentación de tipo incorrecto se dañará el motor.

3.1 Tablas de caudal (a 60 hz)

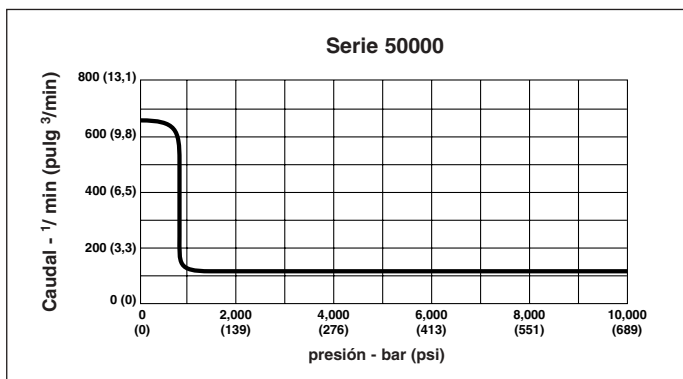
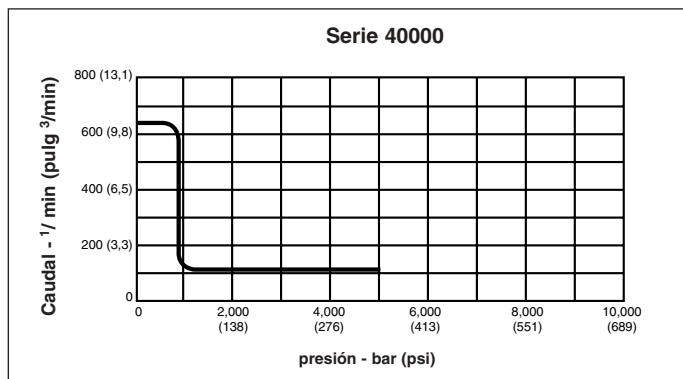
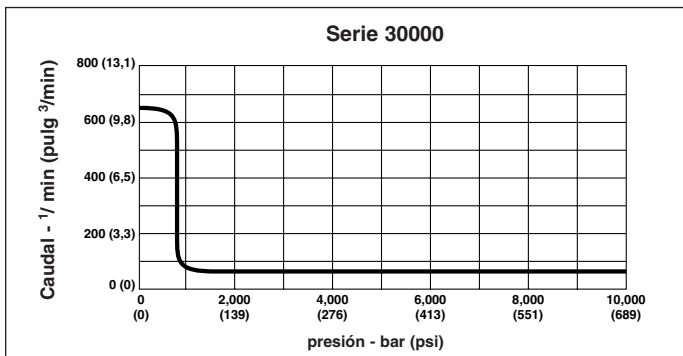


Figure 1

4.0 INSTALACION

4.1 Montaje de válvula

1. Quite la placa.
2. Coloque los anillos "O" y los refuerzos en el conector.
3. Conecte la empaquetadura, el conjunto de conector y el conjunto de la válvula a la bomba. Evite dañar los anillos "O" al instalar el conector.

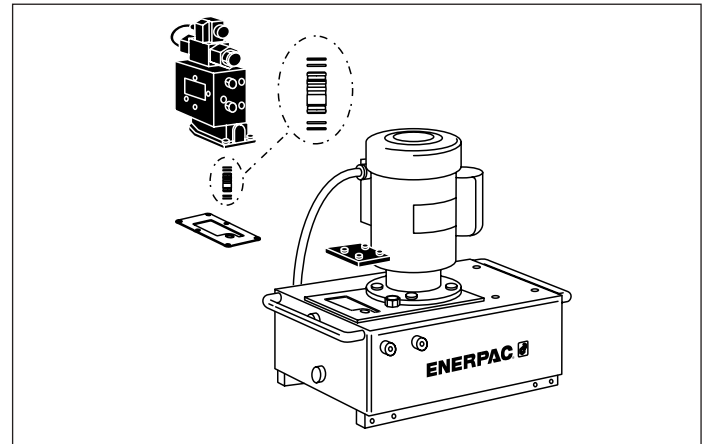


Figure 2

4.2 Montaje de la bomba

Se proporcionan dos rieles en "U" para montar la bomba a una superficie fija. Consulte el diagrama siguiente para las dimensiones de montaje.

	7,6 l [2 Gal.] po. [cm]	19 l [5, 10 Gal.] po. [cm]
A	20,5 [8.07]	34,01 [13.39]
B	16,5 [6.48]	29,55 [11.64]
C	30,4 [11.97]	46,0 [18.11]
D	2,01 [0.79]	2,26 [0.89]
E	2,64 [1.04]	2,64 [1.04]
F	5,00 [1.97]	5,00 [1.97]
G	0,991 [0.39]	0,991 [0.39]

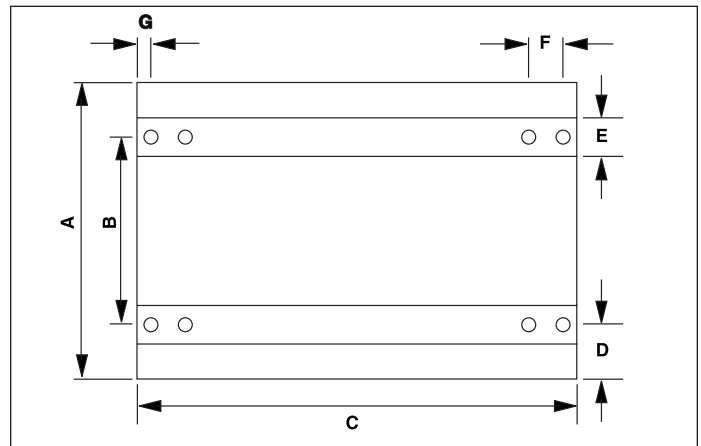


Figure 3

4.3 Conexiones eléctricas

LAS CONEXIONES ELECTRICAS DEBE EFECTUARLAS UN ELECTRICISTA COMPETENTE, EN CUMPLIMIENTO CON TODOS LOS CODIGOS LOCALES Y NACIONALES.

1. Asegúrese de desconectar la alimentación.
2. Compruebe que la protección del circuito de alimentación tenga capacidad suficiente para soportar el consumo máximo de corriente de la bomba.

Modelos 115-1-60: Enchufe el cordón eléctrico en un tomacorriente con puesta a tierra.

Modelos 230-1-60: Estas unidades cuentan únicamente con un cordón eléctrico. Instale un enchufe apropiado. Enchufe el cordón eléctrico en un tomacorriente con puesta a tierra.

Modelos 230-3-60: El usuario debe proporcionar e instalar un arrancador de motor trifásico y un elemento calefactor (para protección contra sobrecargas) entre la fuente de alimentación y la bomba.

Modelos 460-3-60 y 575-3-60: El usuario debe proporcionar e instalar un arrancador de motor trifásico y un elemento calefactor (para protección contra sobrecargas) entre la fuente de alimentación y la bomba. Los modelos con intercambiadores de calor tienen un cordón eléctrico para 115 V separado que debe enchufarse en un tomacorriente de 115 V.

3. Consulte los diagramas de alambrado dados en la página 18 para la información de alambrado. Siempre compruebe que el motor gira en el sentido correcto e invierta los conductores de ser necesario.

4.4 Diagramas de alambrado

Modelos con válvulas manuales PEM

El motor tiene una caja de conexiones para conectar el cordón eléctrico.

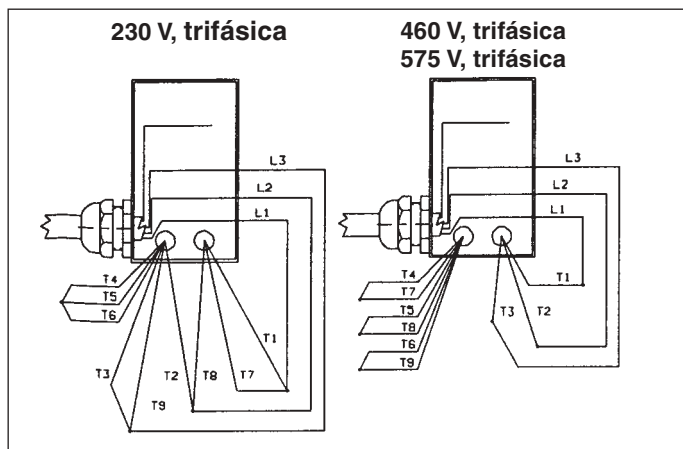


Figure 4

Modelos con válvula de descarga

PED e interruptor de presión PES El depósito tiene una caja de conexiones eléctricas para conectar el cordón eléctrico. Conecte el cordón eléctrico a los bornes L1, L2 y L3.

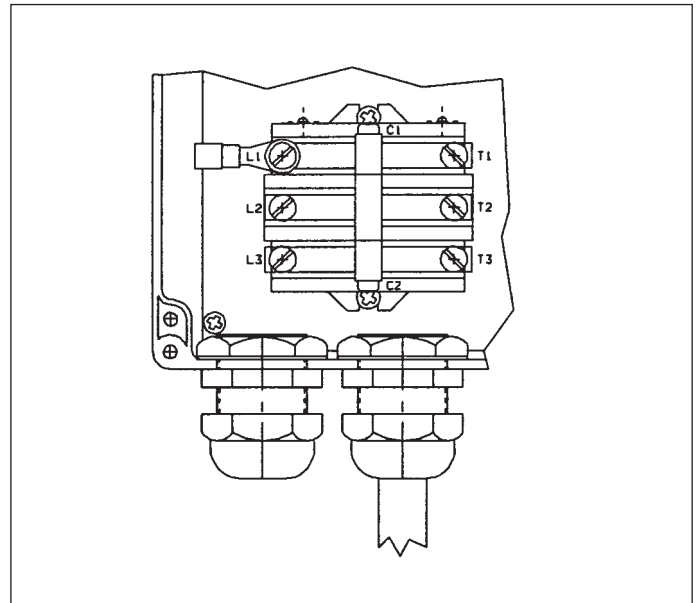


Figure 5

Modelos con válvulas eléctricas PEF, PER y PEV

El depósito tiene una caja de conexiones eléctricas para conectar el cordón eléctrico.

4.5 Conexión del control colgante o interruptor de pie a la válvula de solenoide

Conecte el cordón a la válvula de solenoide usando el conector de la manera ilustrada.

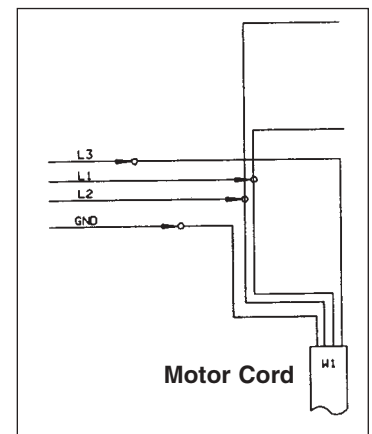


Figure 6

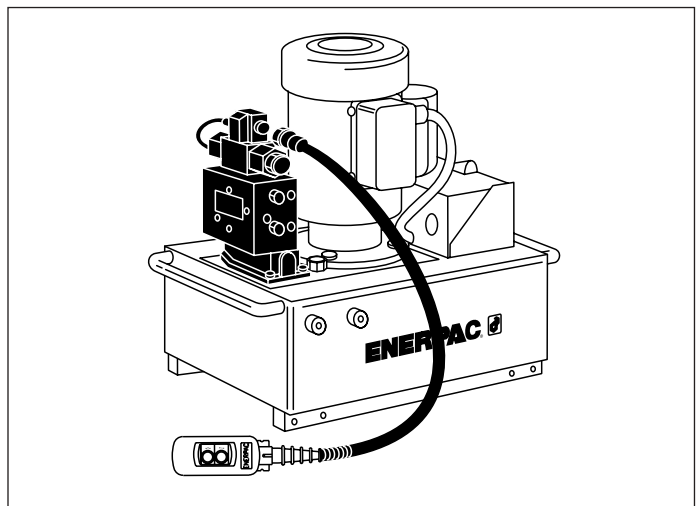


Figure 7

4.6 Medidor de nivel de aceite

1. Para propósitos de transporte, se instala un tapón en la abertura de llenado situada encima del depósito. Quite el tapón para transporte.
2. Instale el medidor de nivel de aceite incluido con la bomba.

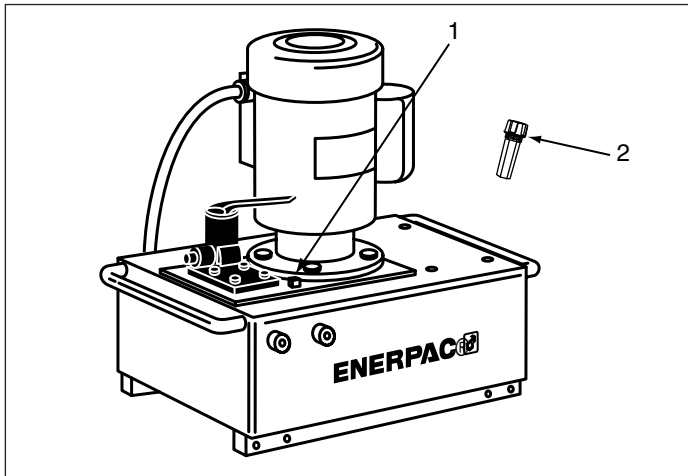


Figure 8

4.7 Nivel de aceite

Revise el nivel de aceite de la bomba antes de arrancarla y, de ser necesario, quite el medidor de nivel para añadir aceite. El depósito está lleno cuando el nivel de aceite está a 2,5 cm (1 pulg) por debajo de la cubierta del depósito.

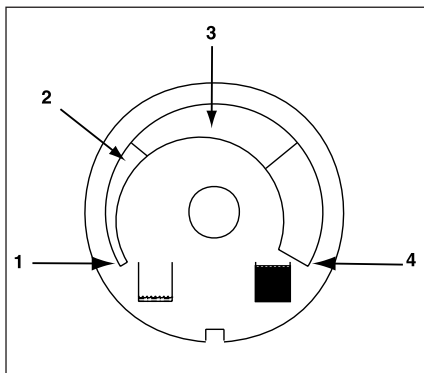


Figure 9

- | | |
|--------------------|------------|
| 1 - Vacío | 3 - En uso |
| 2 - Agregue aceite | 4 - Lleno |

IMPORTANTE: Añada aceite solamente cuando todos los componentes del sistema estén totalmente retraídos, de lo contrario el sistema contendrá más aceite que el que puede guardarse en el depósito.

4.8 Conexiones hidráulicas

Enrosque la(s) manguera(s) en la(s) lumbrera(s) de salida de la válvula. Ponga una vuelta y media de cinta de Teflon (o un sellador de roscas adecuado) en el adaptador de la manguera, dejando el primer hilo de rosca sin encintar o sin sellador como se muestra.

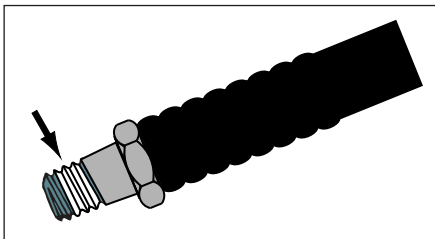


Figure 10

Si se usa una válvula remota, conecte la línea del depósito a la lumbrera de retorno ubicada en la parte superior del depósito.

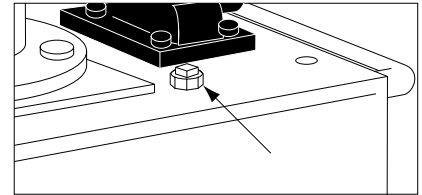


Figure 11

5.0 FUNCIONAMIENTO

1. Revise el nivel de aceite de la bomba y añada aceite de ser necesario.
2. Asegúrese de haber quitado el tapón para transporte e instalado el medidor de nivel.
3. La válvula de control debe estar en punto muerto o en posición de retracción.
4. En la mayoría de los modelos, el interruptor de encendido se encuentra en la caja de conexiones eléctricas. En los modelos con válvula PEM, el interruptor se encuentra en el motor.

5.1 Funcionamiento de la válvula

VM-2

1. Avance
2. Retracción

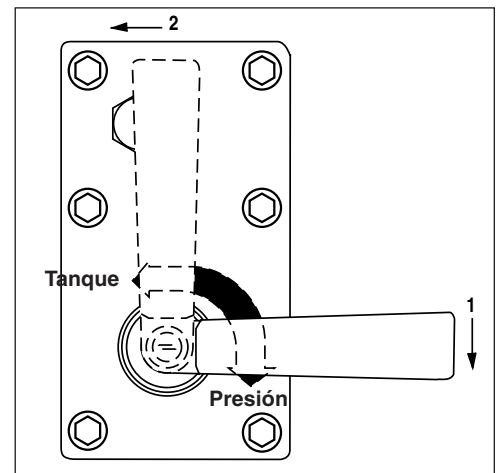


Figure 12

VM-3, VM-3L, VM-4, VM-4L

1. Avance
2. Retracción
3. Punto muerto

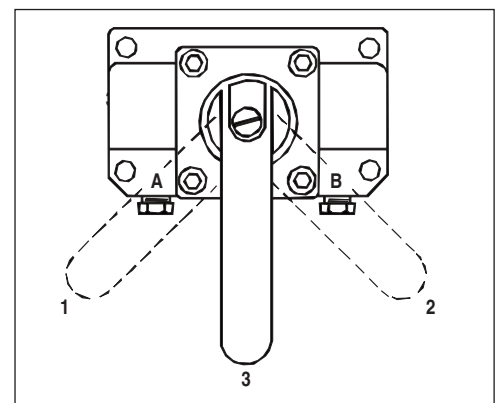


Figure 13

VS3-24 y VS4-24 con control colgante

1. Avance
2. Retracción
3. Retorno automático, interruptor manual. Para retorno automático fije la perilla en AUTO y sólo use el botón de avance para controlar la estación.

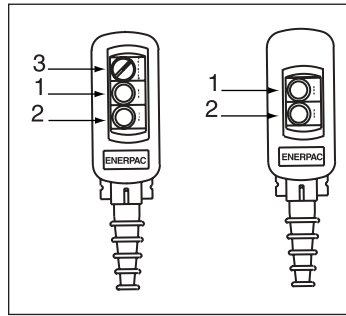


Figure 14

VS3-24 y VS4-24 con interruptor de pie

1. Avance
2. Retracción

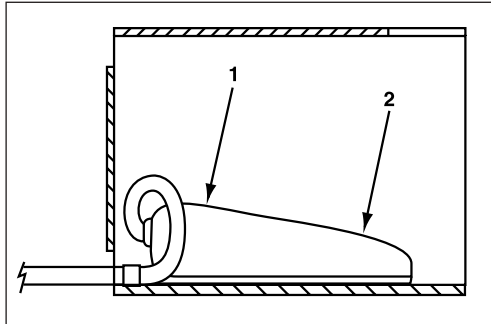


Figure 15

5.2 Control colgante de válvula de descarga

La bomba funciona y el cilindro avanza cuando se oprime el botón del control colgante. Al soltar el botón se detiene la bomba. El cilindro se retrae automáticamente.

5.3 Bombas con interruptor de presión (serie PES)

Estas bombas se apagan cuando se alcanza un valor determinado de presión y se encienden al ocurrir una pérdida de presión. Para fijar la presión deseada, efectúe los pasos siguientes:

1. Use una llave allen N° 10 para aflojar el tornillo de fijación.
2. Utilice un destornillador para girar el tornillo de ajuste en sentido horario para aumentar la presión de activación y en sentido contrahorario para reducirla.
3. Apriete el tornillo de fijación.
4. Haga funcionar la bomba para verificar los valores de ajuste de presión.

Las bombas con interruptores de presión tienen un manómetro y una válvula manual que permite avanzar y retraer el o los cilindros.

5.4 Ajuste de la válvula de alivio

Las bombas Hushh® tienen 2 válvulas de alivio. Una de ellas es una válvula de alivio de seguridad ajustada en fábrica, la cual sólo debe ser reparada o ajustada por un centro de servicio autorizado de Enerpac. La otra válvula de alivio puede ajustarse de la manera siguiente.

1. Instale un manómetro en la bomba.
2. Arranque la bomba para calentar el aceite.
3. Quite el tapón del costado del depósito (vea la Figura 16). Inserte una llave de tuercas hexagonal de 3 /16 pulg en el tornillo de ajuste, ubicado dentro de la abertura. Conmute la válvula y acumule presión en el sistema. Gire el tornillo de ajuste en sentido contrahorario para reducir la presión y en sentido horario para aumentarla.

NOTA: La válvula de alivio ajustable nunca debe ajustarse hasta el fondo. Si se ajusta hasta el fondo, la válvula de alivio de seguridad se desgastará prematuramente. Para obtener el ajuste más preciso, reduzca la presión a un valor por debajo del valor de ajuste final y después aumentela lentamente hasta llegar al valor de ajuste final.

4. Conmute la válvula a su punto muerto para reducir la presión del sistema a 0.
5. Compruebe el ajuste final de presión conmutando la válvula y presurizando el sistema.

6.0 MANTENIMIENTO

Inspeccione todos los componentes del sistema con frecuencia en busca de fugas o daños. Repare o reemplace los componentes dañados.

6.1 Revisión del nivel de aceite

Revise el nivel de aceite de la bomba antes de arrancarla y, de ser necesario, quite el medidor de nivel para añadir aceite. Asegúrese que los cilindros estén completamente retraídos antes de añadir aceite al depósito.

6.2 Cambio de aceite y limpieza del depósito

Vacíe y limpie el depósito completamente cada 250 horas, o con mayor frecuencia si la máquina trabaja en entornos polvorientos.

NOTA: Para este procedimiento es necesario quitar la bomba del depósito. Trabaje sobre un banco limpio y bote los desechos de aceite de forma apropiada.

1. Destornille los 10 pernos que sujetan la cubierta al depósito y levante la bomba para quitarla del depósito. Tenga cuidado de no dañar el tamiz del filtro.
2. Vierta todo el aceite del depósito para vaciarlo.
3. Limpie el depósito a fondo con un agente limpiador apropiado.
4. Destornille el perno que retiene el tamiz del filtro de aceite y quite el tamiz para limpiarlo. Limpie el tamiz con un solvente y un cepillo de cerdas suaves. Vuelva a instalar el tamiz.
5. Vuelva a armar la bomba y el depósito, instalando una empaquetadura nueva en el depósito.
6. Llene el depósito con aceite hidráulico Enerpac limpio. El depósito está lleno cuando el nivel de aceite está a 2,5 cm (1 pulg) por debajo de la cubierta del depósito.

6.3 Cambio del elemento del filtro (opcional)

Se puede pedir un filtro de línea de aspiración como accesorio opcional para la bomba. El elemento del filtro debe sustituirse cada 250 horas, o con más frecuencia si el entorno es polvoriento. El colector del filtro tiene una válvula de derivación de 0,2 bar (3 psi) para evitar la cavitación en caso que el filtro se llegara a obturar. El elemento de repuesto para el filtro tiene el número de pieza PFE-250.

7.0 LOCALIZACION DE AVERIAS

La bomba y los componentes del sistema deben ser reparados solamente por técnicos con experiencia en sistemas hidráulicos. La falla de un sistema puede o no deberse a una avería de la bomba. Para determinar la causa del problema, en cualquier procedimiento de diagnóstico se debe incluir el sistema completo.

La siguiente información está destinada sólo a ayudar a determinar si existe alguna avería. Para servicio de reparación, diríjase al centro de servicio autorizado Enerpac de su zona.

Problema	Causa posible
La bomba no arranca	Falta de alimentación o nivel de voltaje incorrecto.
El motor se cala bajo carga.	Bajo voltaje.
La válvula eléctrica no funciona.	Falta de alimentación o nivel de voltaje incorrecto. Desajuste de la válvula.
La bomba no produce presión.	Fuga externa en el sistema. Fuga interna en la bomba. Fuga interna en la válvula. Fuga interna en un componente del sistema.
La bomba no produce la presión plena.	Presión de ajuste muy baja de la válvula de alivio. Fuga externa en el sistema. Fuga interna en la bomba. Fuga interna en la válvula. Fuga interna en un componente del sistema.
La bomba produce presión plena, pero la carga no se mueve	La carga es mayor que la capacidad del cilindro a presión plena. Obstrucción en caudal al cilindro.
El cilindro se retrae por sí solo.	Fuga externa en sistema. Fuga interna en un componente del sistema.
El cilindro de acción única no se retrae.	Avería de la válvula. Resorte de retorno roto en cilindro. Caudal de retorno restringido o bloqueado. No hay carga en un cilindro de retorno bajo carga.
El cilindro de doble acción no se retrae.	Avería de la válvula. Caudal de retorno restringido o bloqueado.

Australia

ENERPAC, Applied Power Australia Ltd.
Block V Unit 3,
Regents Park Estate,
391 Park Road
Regents Park NSW 2143
(P.O. Box 261) Australia
Tel: +61 297 438 988
Fax: +61 297 438 648

China

Shanghai Blackhawk
Machinery Co Ltd
15H Jinxuan Building
238 Nandan Road (E)
Shanghai, 200030, China
Tel: +86 21 6469 8732
Fax: +86 21 6469 8721

France, Greece, Turkey, Middle East,**Africa**

ENERPAC S.A.
B.P. 200, Parc d'Activités
du Moulin de Massy
F-91882 Massy CEDEX (Paris) France
Tel: +33 01 601 368 68
Fax: +33 01 692 037 50

Germany, Denmark, Scandinavia,**Austria, Switzerland, Eastern****Europe, CIS**

ENERPAC
Applied Power GmbH
P.O. Box 300113
D-40401 Düsseldorf, Germany
Tel: +49 211 471 490
Fax: +49 211 471 49 28/40

Holland, Belgium, Luxembourg,

ENERPAC B.V.
Storkstraat 25
P.O. Box 269
3900 AG Veenendaal, Holland
Tel: +31 318 535 911
Fax: +31 318 535 848
+31 318 526 645

Hong Kong

ENERPAC
Room 907 Workingberg
Commercial Building
41-47 Marble Road,
North Point
Tel: +852-2561 6295
Fax: +852-2561 6772

India

ENERPAC
Hydraulic (India) Pvt Ltd
Plot No. A-571
MIDC, TTC Industrial Area
Mahape-400 701,
Navi Mumbai, India
Tel: +91 22 769 47 78
Fax: +91 22 769 84 73

Italy

ENERPAC Applied Power Italiana S.p.A.
Via Canova 4,
20094 Corsico (Milano)
Tel: +39 2 486 111 00
Fax: +39 2 486 012 88

Japan

Applied Power Japan Ltd.
10-17 Sasame Kita-Machi
Toda-Shi, Saitama #335, Japan
Tel: +81 048 421 2311
Fax: +81 048 421 8949

Mexico

ENERPAC Applied Power Mexico S.A. de
C.V.
Avenida Principal,
La Paz #100
Fracc. Industrial La Paz
42084 Pachuca, Hidalgo
Tel: +52 771 337 00
Fax: +52 771 838 00

Singapore

Applied Power Asia Pte Ltd
No. 8, Ang Mo Kio Industrial Park 2
#01-00, Singapore 563500
Tel: (65) 484-5108
Fax: (65) 484-5669

South Korea

ENERPAC
Applied Power Korea Ltd.
163-12 Dodang-Dong, Choong-Ku,
Buchun-shi, Kyunggi-Do
Republic of Korea
Tel: +82 32 675 08 36
Fax: +82 32 675 30 02

Spain, Portugal

ENERPAC Applied Power International S.A.
A. Valgrande 14
Nave 12
28108 Alcobendas (Madrid), Spain
Tel: +34 91 661 11 25
Fax: +34 91 661 47 89

United Kingdom, Ireland

ENERPAC Limited
Unit 3 Colemeadow Road
North Moons Moat, Redditch
Worcester B98 9PB
United Kingdom
Tel: +44 01527 598 900
Fax: +44 01527 585 500

**USA, Canada, Latin America and
Caribbean**

ENERPAC
6101 N. Baker Road
Milwaukee, WI 53209 USA
Tel: +1 414 781 66 00
Fax: +1 414 781 10 49

USA

User inquiries:
+1 800 433 2766
Distributor inquiries/orders:
+1 800 558 0530

Canada

User inquiries:
+1 800 426 4129
Distributor inquiries/orders:
+1 800 426 2284

Internet

www.enerpac.com

e-mail

info@enerpac.com

**All Enerpac products are guaranteed against defects in workmanship and materials for as long as you own them.
For your nearest authorized Enerpac Service Center, visit us at www.enerpac.com**