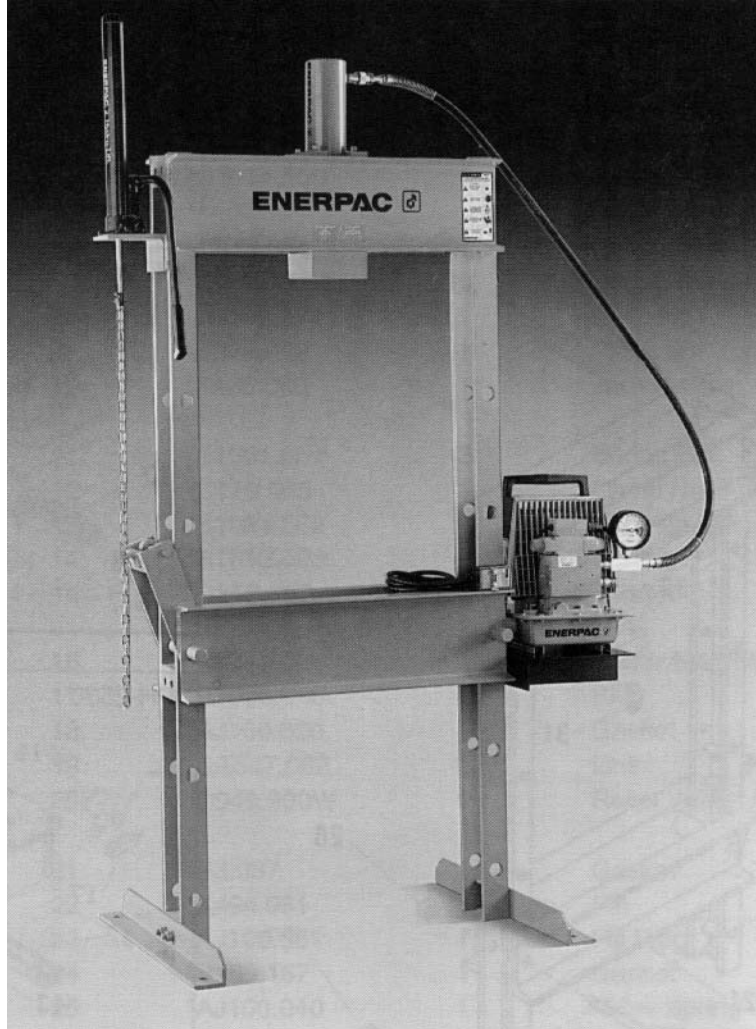


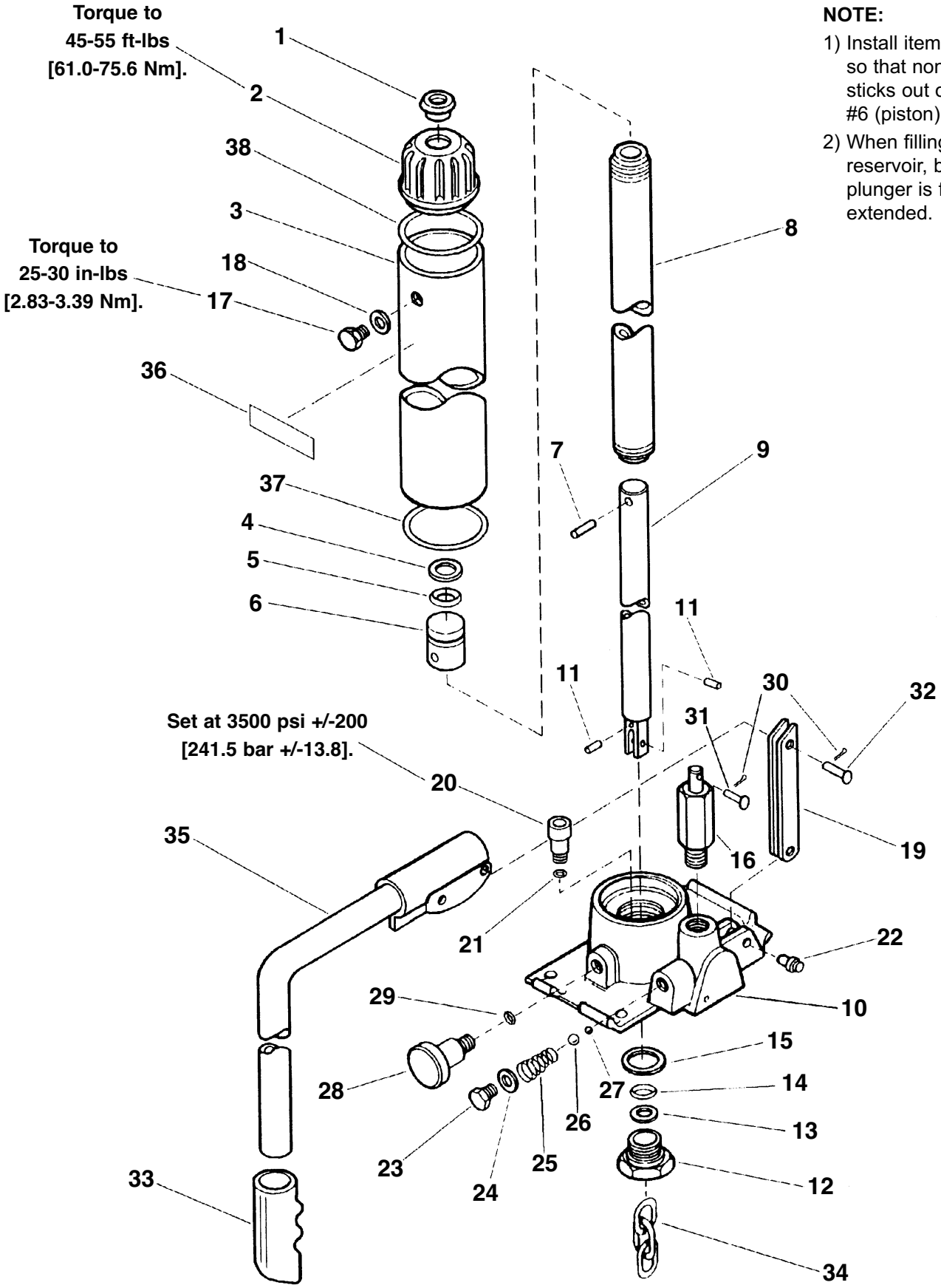
L1272
 Rev. E
 11/07



Accessories: Press Conversion Kit - IPK-3012
 V-Blocks - A-130

Model	Pump	Cylinder
IPA-2521	★ PAM-1022 Twin Air Pump	★ RC-2514
IPE-2505	★ PUJ-1200B Electric Pump	★ RC-256
IPE-2510	★ PER-2031 Electric Pump	★ RC-2514
IPH-2530	★ P-462 Hand Pump	★ RC-2514
IPH-2531	★ P-80 Hand Pump	★ RC-2514
★ Refer to separate part sheets for these items.		

TO PROTECT YOUR WARRANTY, USE ONLY ENERPAC HYDRAULIC OIL.



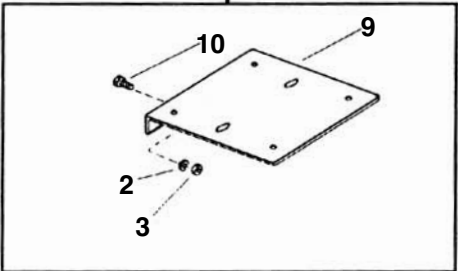
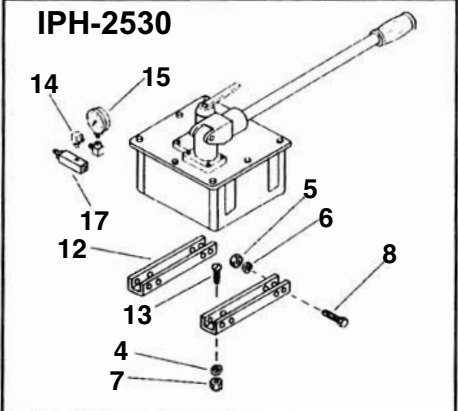
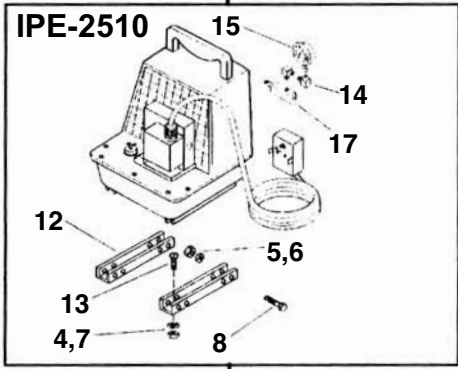
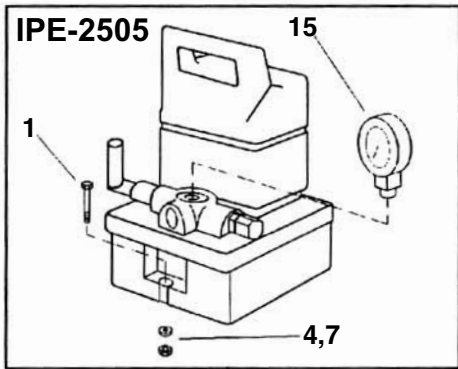
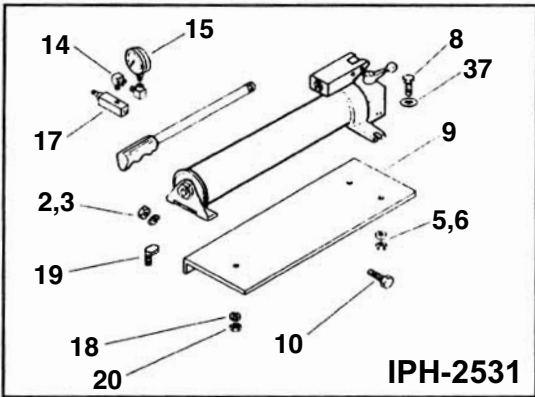
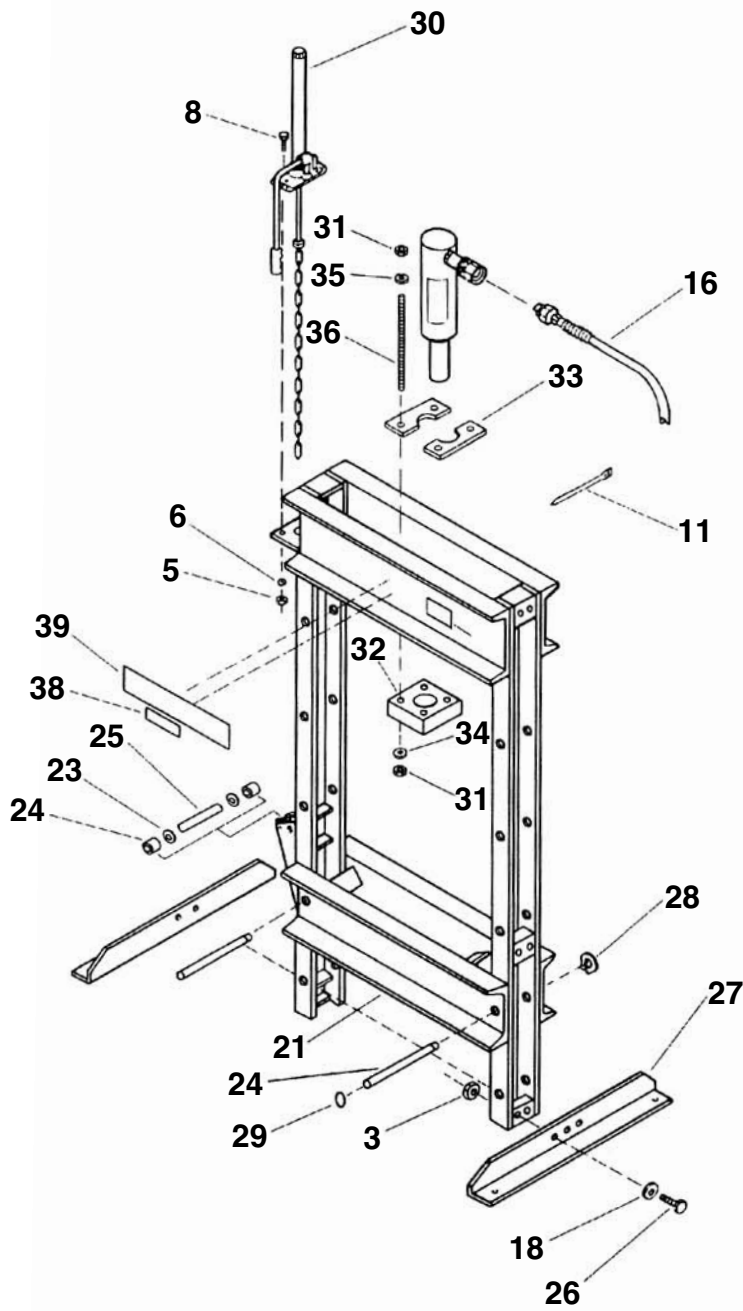
NOTE:

- 1) Install item #7 (pin) so that none of it sticks out of item #6 (piston).
- 2) When filling reservoir, be sure plunger is fully extended.

Parts List for C215900-1 1/2 Ton Jack

Item	Part Number	Qty.	Description
1	CJ290006	1	Top Cap Plug
2	K515020	1	Top Cap
3	K996025	1	Reservoir
4	★ M761562	1	Back-Up Ring
5	★ B1014503	1	O-Ring
6	C644051	1	Piston
7	CCA819057	1	Spring Pin
8	AJ100074	1	Cylinder
9	F578040	1	Plunger
10	F438005	1	Jack Base
11	B1091057	2	Spring Pin
12	C170055	1	Gland Nut
13	★ B1031562	1	Back-Up Ring
14	★ B1012503	1	O-Ring
15	★ C213167	1	Gasket
16	K584900	1	Pump Assembly
17	B1036046	1	Plug
18	★ AJ100020	1	Gasket
19	DA547062	2	Link
20	C949900W	1	Relief Valve
21	★ S3037	1	Gasket
22	K494061	1	Pin
23	AJ100061	1	Fill Plug
24	★ B159167	1	Gasket
25	★ AJ100040	1	Valve Spring
26	★ B1009016	1	5/16" Ball
27	★ B1006016	1	7/32" Ball
28	DA2508900SR	1	Release Valve
29	★ B1003503	1	O-Ring
30	★ B1001058	2	Cotter Pin
31	AJ100062	1	Beam Pin
32	AJ100063	1	Clevis Pin
33	CL343550	1	Handle Grip
34	DA3232066	1	Chain
35	M276900	1	Handle Assembly
36	CB635026	1	Decal
37	★ DA254037	1	Gasket
38	★ DA255037	1	Gasket

★ Indicates items included in Repair Kit C215900K. Repair Kit includes seals used in K584900 Pump Assembly.



NOTE: Prior to mounting P-462 pump on the press (Model IPH-2530) remove the "U" bracket from the bottom of the reservoir.

Parts List						
Item	Part Number IPE-2505	Qty.	Part Number IPH-2531	All Other Part Numbers	Qty.	Description
1	B1047046	2	-	-	-	Cap Screw 5/16"-18 x1 1/2"
2	B1007066	6	B1007066	B1007066	6	Lock Washer
3	B1013120	6	B1013120	B1013120	6	Hex Nut 5/8"-11
4	B1002066	2	-	B1002066	2	Lock Washer
5	B1001120	2	B1001120	B1001120	6	Nut 1/4"-20
6	B1001066	2	B1001066	B1001066	6	Lock Washer
7	B1003120	2	-	B1003120	4	Hex Nut 5/16"-18
8	CB528046	2	CB528046	CB528046	6	Cap Screw 1/4"-20 x1 1/2"
9	DA4191111	1	DA419111	DA2957111	1	Bracket
10	B1201046	2	B1201046	B1201046	2	Cap Screw 5/16"-18 x1 1/2"
11	CF378017	1	CF378017	CF378017	1	Strap
12	-	-	-	DA3541111	2	Bracket
13	-	-	-	CH204028	4	Cap Screw 5/16"-18 x3/4"
14	-	-	FZ1616	FZ1616	2	Street Elbow
15	GF825	1	GF835	GF835	1	Gauge
16	HC960	1	HC960	HC960	1	Hose Assembly
17	-	-	GA3	GA3	1	Gauge Adapter
18	-	-	B1003066	-	1	Lockwasher 3/8"
19	-	-	M259028	-	1	Screw 3/8"-16
20	-	-	B1005120	-	1	Hex Nut 3/8"-16
21	CA705900	1	CA705900	CA705900	1	Bolster Assembly
22	CR281281	4	CR281281	CR281281	4	Roller
23	CN725044	4	CN725044	CN725044	4	Retaining Ring
24	CU487900	2	CU487900	CU487900	2	Bolster Pin Assembly
25	CR241061	2	CR241061	CR241061	2	Roller Pin
26	CH940028	4	CH940028	CH940028	4	Bolt 5/8"-11 x 1 3/4"
27	CA693630	2	CA693630	CA693630	2	Leg Angle
28	CA696044	2	CA696044	CA696044	2	Retaining Ring
29	B1125903	2	B1125903	B1125903	2	O-Ring
30	C215900	1	C215900	C215900	1	Jack Assembly
31	B1009120	8	B1009120	B1009120	8	Nut 1/2"-13
32	CF122101	1	CF122101	CF122101	1	Support Block
33	CF123101	2	CF123101	CF123101	2	Bearing Plate
34	B1034108	4	B1034108	B1034108	4	Washer
35	B1019066	4	B1019066	B1019066	4	Lockwasher
36	M334305	4	M334305	M334305	4	Stud
37	-	-	B1092108	-	2	Flat Washer 5/16"
38	M527026	2	M527026	M527026	2	Decal
39	CL537026	2	CL537026	CL537026	2	Die Cut Decal
40	CU778026	2	CU778026	CU778026	2	Caution Decal

Enerpac Worldwide Locations

Africa

ENERPAC Middle East FZE
Office 423, JAFZA 15
P.O. Box 18004
Jebel Ali, Dubai
United Arab Emirates
Tel: +971 (0)4 8872686
Fax: +971 (0)4 8872687

Australia, New Zealand

Actuant Australia Ltd.
Block V Unit 3
Regents Park Estate
391 Park Road
Regents Park NSW 2143
(P.O. Box 261) Australia
Tel: +61 297 438 988
Fax: +61 297 438 648

Brazil

Power Packer do Brasil Ltda.
Rua dos Inocentes, 587
04764-050 - Sao Paulo (SP)
Tel: +55 11 5687 2211
Fax: +55 11 5686 5583
Toll Free in Brazil:
Tel: 0800 891 5770
vendasbrasil@enerpac.com

Canada

Actuant Canada Corporation
6615 Ordan Drive, Unit 14-15
Mississauga, Ontario L5T 1X2
Tel: +1 905 564 5749
Fax: +1 905 564 0305
Toll Free:
Tel: +1 800 268 4987
Fax: +1 800 461 2456
Technical Inquiries:
techservices@enerpac.com

China

Actuant China Ltd.
1F, 269 Fute N. Road
Waigaoqiao Free Trade Zone
Pudong New District
Shanghai, 200 131 China
Tel: +86 21 5866 9099
Fax: +86 21 5866 7156

Actuant China Ltd. (Beijing)

709B Diyang Building
Xin No. 2
Dong San Huan North Rd.
Beijing City
100028 China
Tel: +86 10 845 36166
Fax: +86 10 845 36220

Central and Eastern Europe, Greece

ENERPAC GmbH
P.O. Box 300113
D-40401 Düsseldorf
Willstätterstrasse13
D-40549 Düsseldorf
Germany
Tel: +49 211 471 490
Fax: +49 211 471 49 28

France, Switzerland francophone

ACTUANT - ENERPAC
France S.A., ZA de Courtaboeuf
32, avenue de la Baltique
91140 Villebon / Yvette
France
Tel: +33 1 60 13 68 68
Fax: +33 1 69 20 37 50

Germany, Austria and Switzerland

ENERPAC GmbH
P.O. Box 300113
D-40401 Düsseldorf
Willstätterstrasse13
D-40549 Düsseldorf
Germany
Tel: +49 211 471 490
Fax: +49 211 471 49 28

India

ENERPAC Hydraulics
(India) Pvt. Ltd.
Office No. 9,10 & 11,
Plot No. 56, Monarch Plaza,
Sector 11, C.B.D. Belapur
Navi Mumbai 400614, India
Tel: +91 22 2756 6090
Tel: +91 22 2756 6091
Fax: +91 22 2756 6095

◆ e-mail: info@enerpac.com

Italy

ENERPAC S.p.A.
Via Canova 4
20094 Corsico (Milano)
Tel: +39 02 4861 111
Fax: +39 02 4860 1288

Japan

Applied Power Japan Ltd.
Besshochou 85-7
Saitama-shi, Kita-ku,
Saitama 331-0821
Japan
Tel: +81 48 662 4911
Fax: +81 48 662 4955

Middle East, Turkey and Caspian Sea

ENERPAC Middle East FZE
Office 423, JAFZA 15
P.O. Box 18004
Jebel Ali, Dubai
United Arab Emirates
Tel: +971 (0)4 8872686
Fax: +971 (0)4 8872687

Russia and CIS

(excl. Caspian Sea Countries)
Actuant LLC
Admiral Makarov Street 8
125212 Moscow, Russia
Tel: +7-495-9809091
Fax: +7-495-9809092

Singapore

Actuant Asia Pte. Ltd.
37C, Benoi Road Pioneer Lot,
Singapore 627795
Tel: +65 64 84 5108
+65 64 84 3737
Fax: +65 64 84 5669
Toll Free: +1800 363 7722
Technical Inquiries:
techsupport@enerpac.com.sg

◆ internet: www.enerpac.com

South Korea

Actuant Korea Ltd.
3Ba 717,
Shihwa Industrial Complex
Jungwang-Dong, Shihung-Shi, Kyunggi-Do
Republic of Korea 429-450
Tel: +82 31 434 4506
Fax: +82 31 434 4507

Spain and Portugal

ENERPAC
C/San José Artesano 8
Pol. Ind.
28108 Alcobendas
(Madrid) Spain
Tel: +34 91 661 11 25
Fax: +34 91 661 47 89

The Netherlands, Belgium, Luxembourg, Sweden, Denmark, Norway, Finland and Baltic States

ENERPAC B.V.
Galvanistraat 115, 6716 AE Ede
P.O. Box 8097, 6710 AB Ede
The Netherlands
Tel: +31 318 535 911
Fax: +31 318 525 613
+31 318 535 848

Technical Inquiries Europe:

techsupport.europe@enerpac.com

United Kingdom, Ireland

Enerpac Ltd
Bentley Road South
Darlaston, West Midlands
WS10 8LQ, United Kingdom
Tel: +44 (0)121 50 50 787
Fax: +44 (0)121 50 50 799

USA, Latin America and Caribbean

ENERPAC
P.O. Box 3241
6100 N. Baker Road
Milwaukee, WI 53209 USA
Tel: +1 262 781 6600
Fax: +1 262 783 9562

User inquiries:

+1 800 433 2766

Inquiries/orders:

+1 800 558 0530

Technical Inquiries:

techservices@enerpac.com

All Enerpac products are guaranteed against defects in workmanship and materials for as long as you own them.
For your nearest authorized Enerpac Service Center, visit us at www.enerpac.com