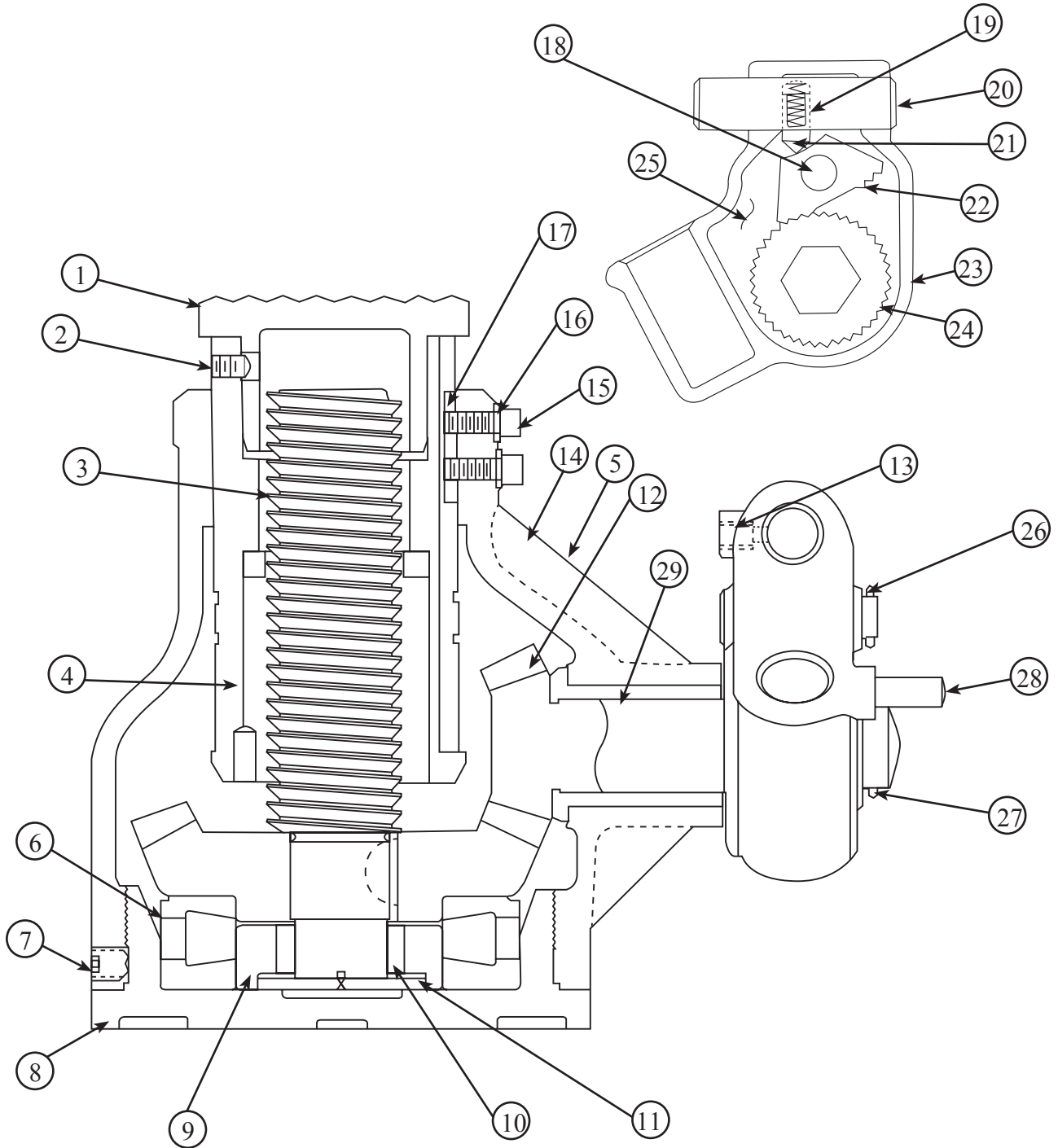




www.simplexmechanicals.com

JJ5010B, JJA5010B
SUPER JACK
REPAIR PARTS SHEET

Part Sheet # TD097
Revision - D
Date: 03/15



ITEM	DESCRIPTION	JJ5010B	JJA5010B	QTY.
1	CAP	*	*	1
2	SET SCREW	*	*	1
3	SCREW GEAR ASSY.	85093	85093	1
4	SLEEVE AND NUT ASSY	86103	86103	1
5	PIPE PLUG 1/8-27	93949	93949	1
6	BEARING	***	***	1
7	SET SCREW 1/2-13 X 5/8 CUP	***	***	2
8	BASE	91215	91215	1
9	BRG. SPACER	***	***	1
10	BRG. SPACER	***	***	1
11	BRAKE SPG.	91173	91173	2
12	PINION	***	***	1
13	SCREW RAT. PLUNGER	**	**	1
14	HOUSING	N/A	N/A	1
15	SHCS 5/16-18 X 1 1/4	93590	93590	2
16	LOCKWASHER 5/16	S93942	S93942	2
17	KEY	91197SS	91197SS	1
18	PAWL PIN	**	**	1
19	PAWL PLUNGER SPRING	**	**	1
20	SOC. PLUNGER	**	**	1
21	PAWL PLUNGER	**	**	1
22	PAWL	**	**	1
23	SOC.	**	**	1
24	RAT. WHEEL	**	**	1
25	SOC. COVER	**	**	1
26	COTTER PIN 3/32 X 1.0	**	**	1
27	COTTER PIN 3/16 X 1.5	93787	93787	1
28	PIN DRV. LOCK	**	**	1
29	SPACER-PINION	***	***	2
NS	WARNING DECAL	98540, ****	98540, ****	1
NS	STEEL LEVER BAR SOLD SEPARATELY	SLB56	SLB56	0
KIT=*	LOAD CAP KIT COMPONENTS	RK5010B01	RK5010B01	
KIT=**	SOCKET ASSEMBLY KIT	RK5010B03	RK5010B03	
KIT=***	BEARING W/O RETAINER REPAIR KIT	RK5010B02	RK5010B02	
KIT=****	COMPLETE DECAL KIT	JJSERIESDK	JJSERIESDK	

NOTE: HOUSINGS ARE NOT AVAILABLE AS SERVICABLE ITEMS.

WARRANTY STATEMENT

Simplex products are warranted to be free of defects in materials and workmanship under normal use for as long as they are owned by the original purchaser, subject to the exclusions and limitations listed. This warranty does not cover ordinary normal wear & tear, abuse, overloading, alterations, (including repairs or attempted repairs by parties other than SIMPLEX or its Authorized Service Centers), improper fluid, or use in a manner for which they are not intended or use which is contrary to instructions for the products. If the customer believes a product is defective, the product must be delivered, or shipped freight prepaid, to the nearest SIMPLEX Authorized Service Center.