

ENERPAC

A Division of Applied Power Inc. 

Repair Parts Sheet

10 TON H-FRAME PRESSES

L-1205 7/89

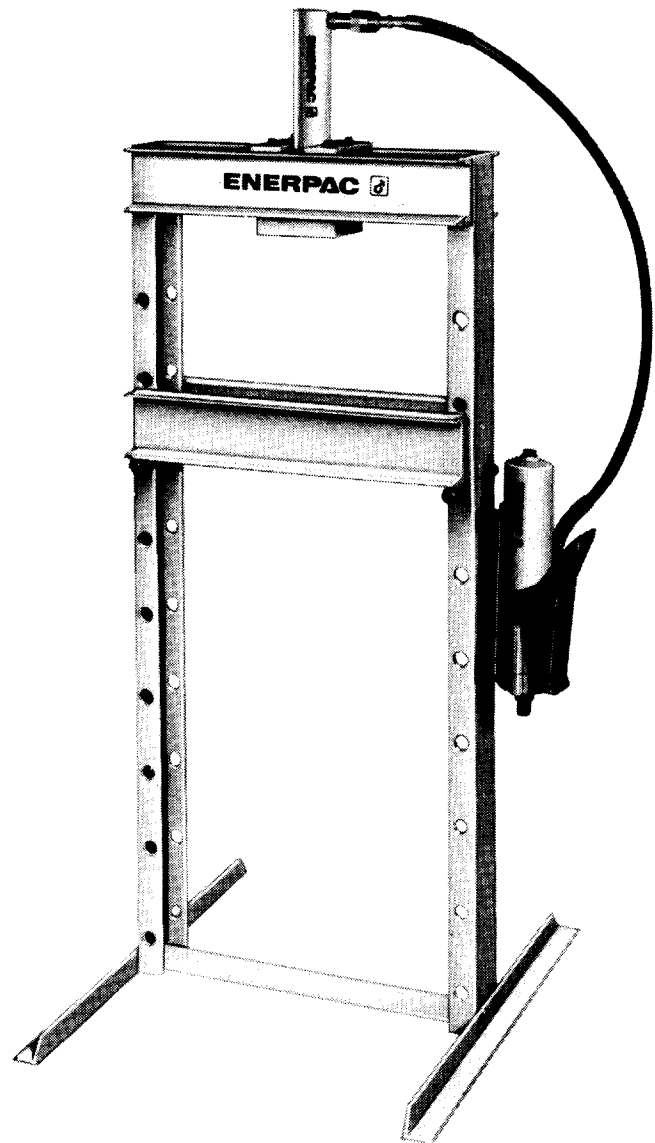
Model	Pump	Cylinder	Stroke
IPE-1215	PEM-1201B Electric Pump	RC-1010	10 $\frac{1}{8}$ "
IPA-1220	PA-133 Air Pump	RC-1010	10 $\frac{1}{8}$ "
IPH-1240	P-392 Hand Pump	RC-1010	10 $\frac{1}{8}$ "
IPH-1234	P-84 2 Speed Hand Pump	RR-1010 Double Acting	10"

ACCESSORIES:

Small V-Blocks — A-134

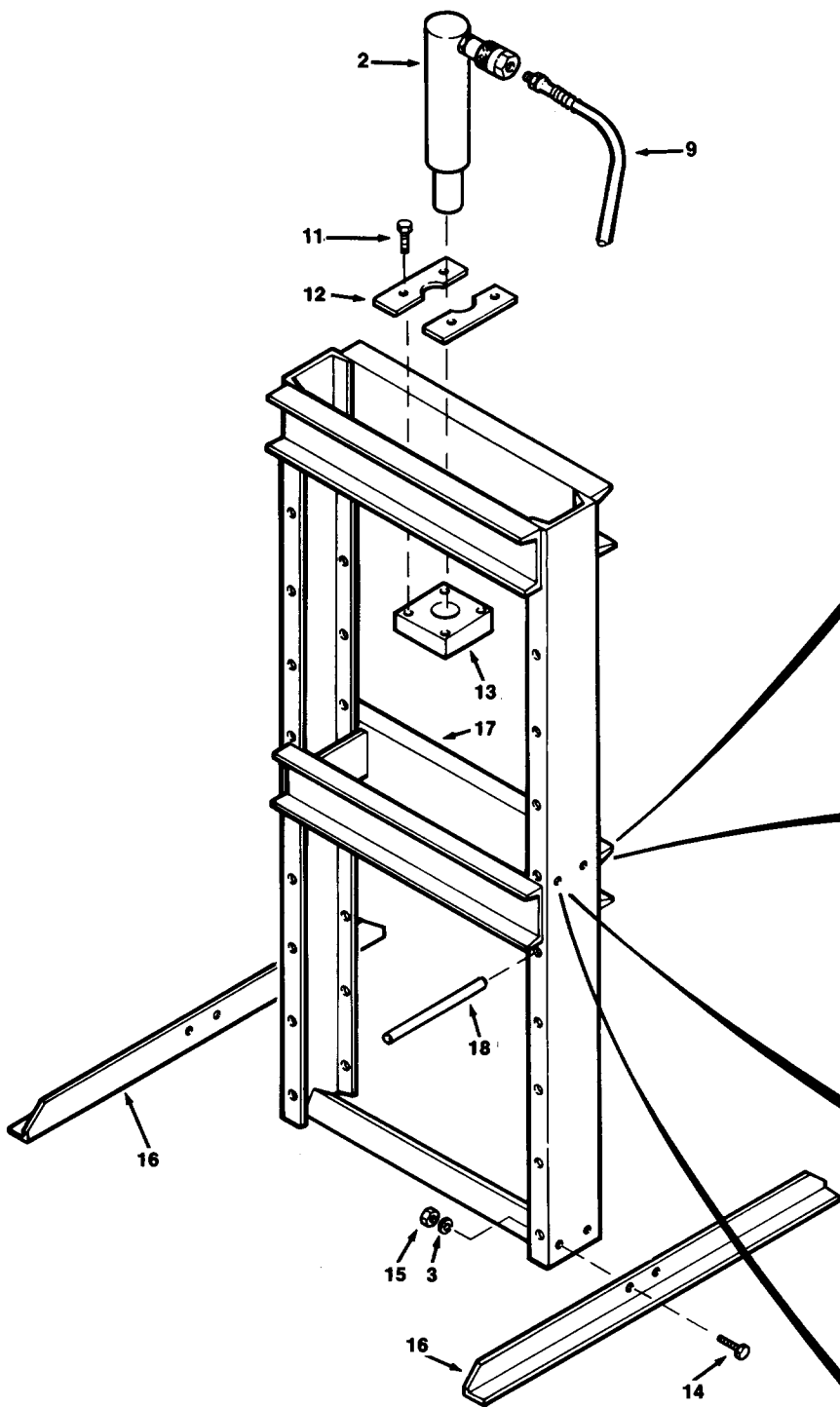
Arbor Plates — A-135

Large V-Blocks — A-136

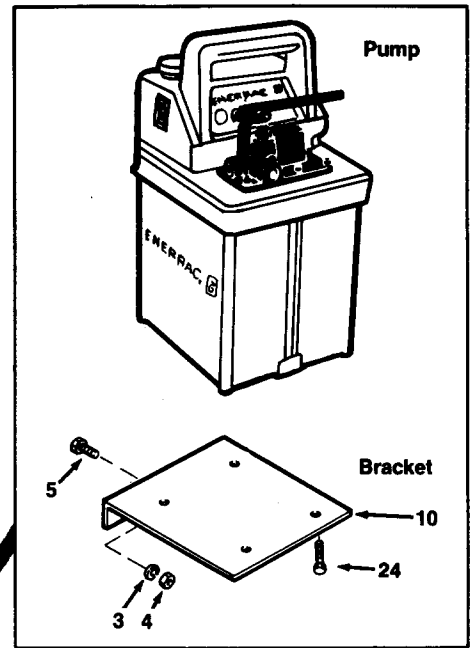


IPA-1220 Shown

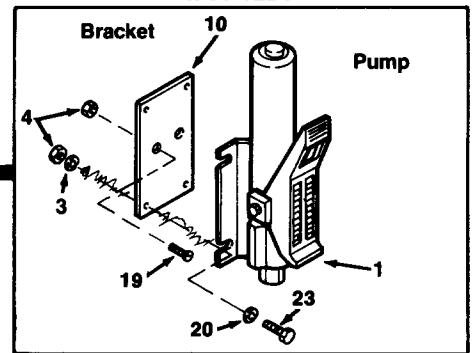
TO PROTECT YOUR WARRANTY, USE ONLY ENERPAC HYDRAULIC OIL.



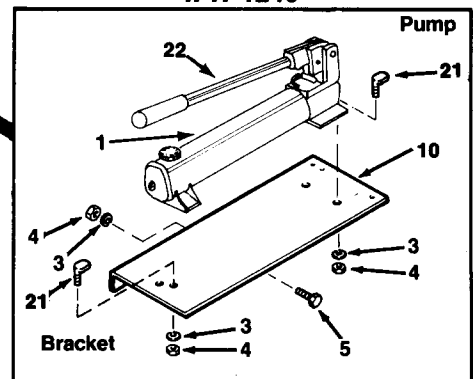
IPE-1215



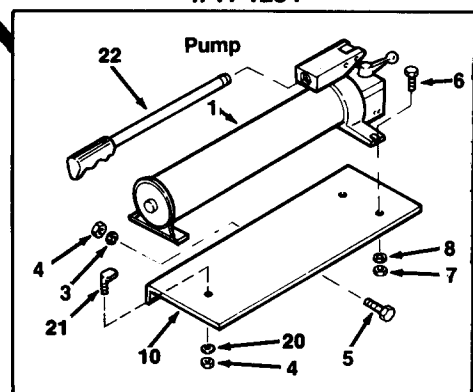
IPA-1220



IPH-1240



IPH-1234



**10 TON PRESSES
PARTS LIST**

Item No.	PART NUMBER								Description
	IPE-1215	Qty.	IPA-1220	Qty.	IPH-1240	Qty.	IPH-1234	Qty.	
1	*PEM-1201B	1	*PA-133	1	*P-392	1	*P-84	1	Pump Assembly
2	*RC-1010	1	*RC-1010	1	*RC-1010	1	*RR-1010	1	Cylinder, 10 Ton
3	B1003.066	6	B1003.066	6	B1003.066	5	B1003.066	7	Lockwasher
4	B1005.120	6	B1005.120	6	B1005.120	8	B1005.120	7	Nut
5	B1077.046	2	—	—	B1073.046	2	B1073.046	2	Bolt, Hex. Hd.
6	—	—	—	—	—	—	CB528.046	2	Bolt, Hex.
7	—	—	—	—	—	—	B1001.120	2	Nut, Hex.
8	—	—	—	—	—	—	B1001.066	4	Lockwasher
9	HC-963U	1	H-920	1	H-913U	1	H-963U	2	Hose Assembly
10	CA836.111	1	CJ23.111	1	DA2957.111	1	DA2957.111	1	Bracket, Mtg.
11	B1095.028	4	B1095.028	4	B1095.028	4	B1095.028	4	Capscrew
12	Y588.101	2	Y588.101	2	Y588.101	2	Y588.101	2	Plate, Bearing
13	Y589.101	1	Y589.101	1	Y589.101	1	Y589.101	1	Mtg. Block
14	B772.087	4	B772.087	4	B772.087	4	B772.087	4	Capscrew
15	B779.181	4	B779.181	4	B779.181	4	B779.181	4	Nut. Hex.
16	K744.630	2	K744.630	2	K744.630	2	K744.630	2	Angle
17	K745.900	1	K745.900	1	K745.900	1	K745.900	1	Bed Assembly
18	K753.061	2	K753.061	2	K753.061	2	K753.061	2	Pin
19	—	—	Y231.028	2	—	—	—	—	Capscrew, Flt. Hd.
20	—	—	B1092.108	4	B1095.108	2	B1092.108	2	Washer
21	—	—	—	—	B1081.046	2	M259.028	1	Screw
22	—	—	—	—	—	—	C7.900	1	Handle Assy.
23	CU874.028	4	B1005.028	4	—	—	—	—	Bolt
24	DA3772028	—	—	—	—	—	—	—	Bolt

*Item Breakdown is on Separate Parts Sheet.

AUSTRALIA
29-31 O'Riordan St.
Alexandria, N.S.W. 2015
Telephone: (02) 698-9955
Fax: (61) (02) 698-9664

CANADA
6490 Vipond Drive
Mississauga, Ontario
L5T 1W8 Canada
Telephone: (416) 564-5749
Fax: (416) 564-0305

**EASTERN EUROPE AND
OTHER EUROPEAN
COUNTRIES/MIDDLE
EAST/AFRICA**
47, avenue Blanc
P.O. Box 67, 1211 Geneva 21
Switzerland
Telephone: (22) 731 94 05
Fax: (22) 731 12 15

**FAR EAST ASIA/PACIFIC
REGION**
47 Jalan Pemimpin,
#01-02 & 01-03
Sin Cheong Building
Singapore 2057
Thomson Rd
P.O. Box 114
Singapore 9157
Telephone: (65) 2581677
Fax: (65) 2582847

FRANCE
B.P. 200
Parc d'Activities du Moulin de
Massy
91882 Massy Cedex
Telephone: 69 20 70 70
Fax: 69 20 37 50

ITALY
Via Canova, 4
20094 Corsico
Milano, Italy
Telephone: 02/4582741
Fax: 39-2-4503690

JAPAN
10-17 Sasame
Kita-Cho, Toda-Shi
Saitama 335
Japan
Telephone: 0484-22-2251
(Administration Dept.)
0484-21-2311 (Sales Dept.)
Fax: 0484-22-0596

LATIN AMERICA
4770 Biscayne Blvd., Suite 980
Miami, FL 33137 U.S.A.
Telephone: (305) 324-4421
Fax: (305) 325-1308

MEXICO
Blvd. Gral. Felipe Angeles 1604
P.O. Box 362
42080 Pachuca, Hidalgo
Mexico
Telephone: (771) 3-37-00
Fax: (771) 3-11-96

**NETHERLANDS, BELGIUM,
LUXEMBURG**
Storkstraat 25
P.O. Box 269
NL-3900 AG/Veenedaal
Holland
Telephone: (8385) 35911
Fax: (8385) 26645/25613

NEW ZEALAND
19 Rylock Place
P.O. Box 82007 Highland Park
Howick, Auckland
New Zealand
Telephone: 563-239
Fax: 562-015

SOUTH KOREA
163-12, Dodang-Dong, Choong-
Ku, Buchun-Shi, Kyunggi-Do
Republic of Korea
Telephone: (032) 6560836/7
Fax: (032) 6563002

SPAIN
Calle La Granja, s/u
Poligono Industrial
28100 Alcobendas (Madrid)
Spain
Telephone: (91) 6523633
Fax: (91) 6543927

UNITED KINGDOM
Leacon Rd.
Ashford, Kent TN23 2TU
England
Telephone: (0233) 39871
Fax: (0233) 43923

UNITED STATES
13000 West Silver Spring Drive
Butler, Wisconsin 53007, U.S.A.
Telephone: (414) 781-6600
Fax: (414) 781-1049

WEST GERMANY
Mundelheimer Weg 51
Postfach 30 01 13
D-4000 Dusseldorf 30
West Germany
Telephone: (0211) 41707-0
Fax: (0211) 4170740

REPAIR AND SERVICE INFORMATION: For repair parts and service contact your nearest Authorized Enerpac Technical Service Center. The Authorized Enerpac Technical Service Center will provide complete and prompt service on all Enerpac products. For the location of an Authorized Enerpac Technical Service Center, in U.S.A. call 1-800-433-2766. (In Canada call 1-800-268-6975)

WARRANTY INFORMATION: All warranty repairs must be performed by an Authorized Enerpac Technical Service Center. All Enerpac tools are guaranteed from date of delivery to user against defects in workmanship and materials. Free repair or replacement will be made on all items not standing up to this guarantee. Following manufacturers trade custom, however, chains cannot be guaranteed. Warranty does not cover ordinary wear and tear, abuse or misuse, overloading, altered products or use of improper fluids. For prompt handling, send items requiring repairs prepaid, to your nearest Authorized Enerpac Technical Service Center. Warranty repair service for non-Enerpac components used on Enerpac products, should be obtained through an Authorized Service Center representing the manufacturer of the item.
