

Index:

English 1-4
Français 5-8

To Protect Your Warranty, Use Only ENERPAC Hydraulic Oil.
Enerpac recommends that all kit components be installed to insure optimum performance of the repaired unit.

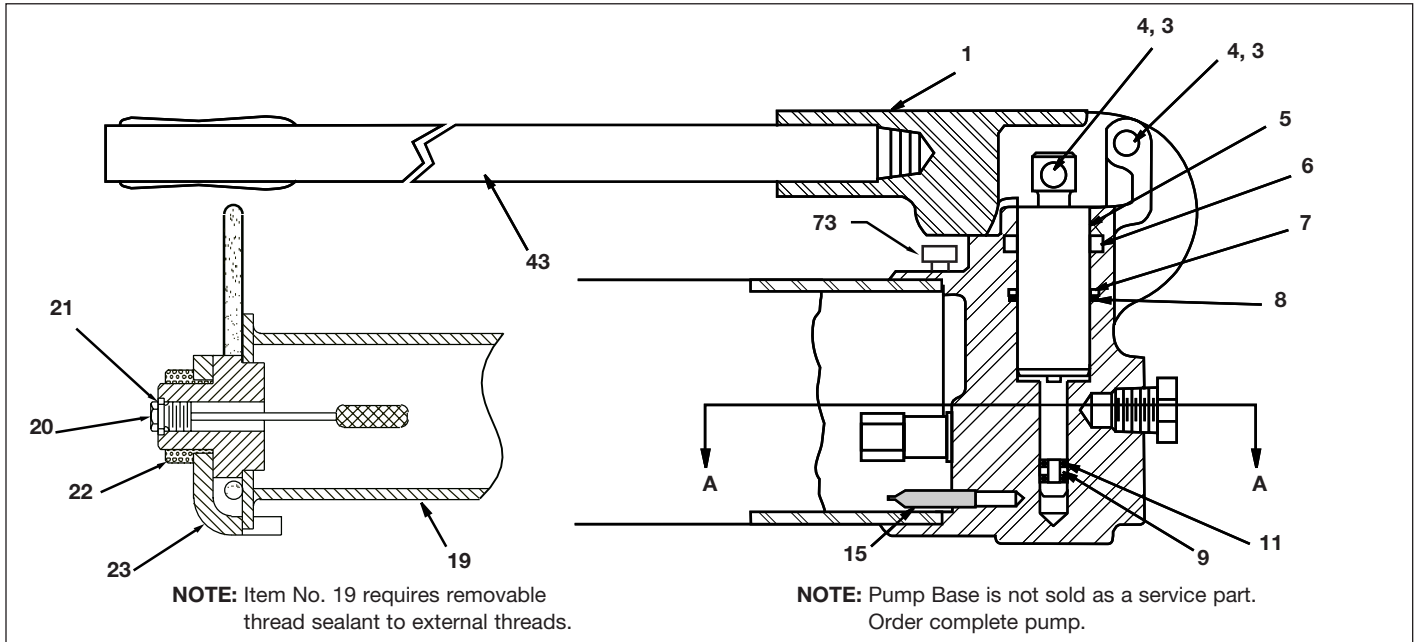


Figure 1, Pump Assembly

Repair Parts List for Figure 1

Item	Model P-80, 1006	Model P-801	Model P-84	Qty.	Description
1	B113060-1	B113060-1	B113060-1	1	Beam
3	★ DA1177349	★ DA1177349	† DA1177349	2	Retaining Ring
4	DC106061SR1	DC106061SR1	DC106061SR1	2	Beam Pin (Includes item 3)
5	CN464051SR2	CN464051SR2	CN464051SR2	1	Pump Plunger (Includes Items 3, 4, 6, 7, 8, 9, 11)
6	★ C912044	★ C912044	† C912044	1	Wiper Ring
7	★ B1216565	★ B1216565	† B1216565	1	Back-up Ring
8	★ B1021503	★ B1021503	† B1021503	1	O-ring Packing
9	★ B1011803	★ B1011803	† B1011803	1	O-ring
11	★ B1011564	★ B1011564	† B1011564	1	Back-up Ring
15	★ P30718	★ P30718	† P30718	1	Oil Strainer Screen
19	B245900SR	CS605900	B245900SR	1	Reservoir Assembly
20	CL244950W	CL244950W	CL244950W	1	Filler Plug (Includes item 21)
21	★ B159167	★ B159167	† B159167	4	Gasket
22	S4123	S4123	S4123	1	Jam Nut
23	B242267	B242267	B242267	1	Pump Rest
43	C7900SR	BSS2922D	C7900SR	1	Handle Assembly
73	CA561024	CA561024	CA561024	1	Vent

★ Items are included in Repair Kit P80K4. (Viton Kit: P-80 use P80KV3.)

† Items are included in Repair Kit P84K3. (Viton Kit: P-84 use P84KV3.)

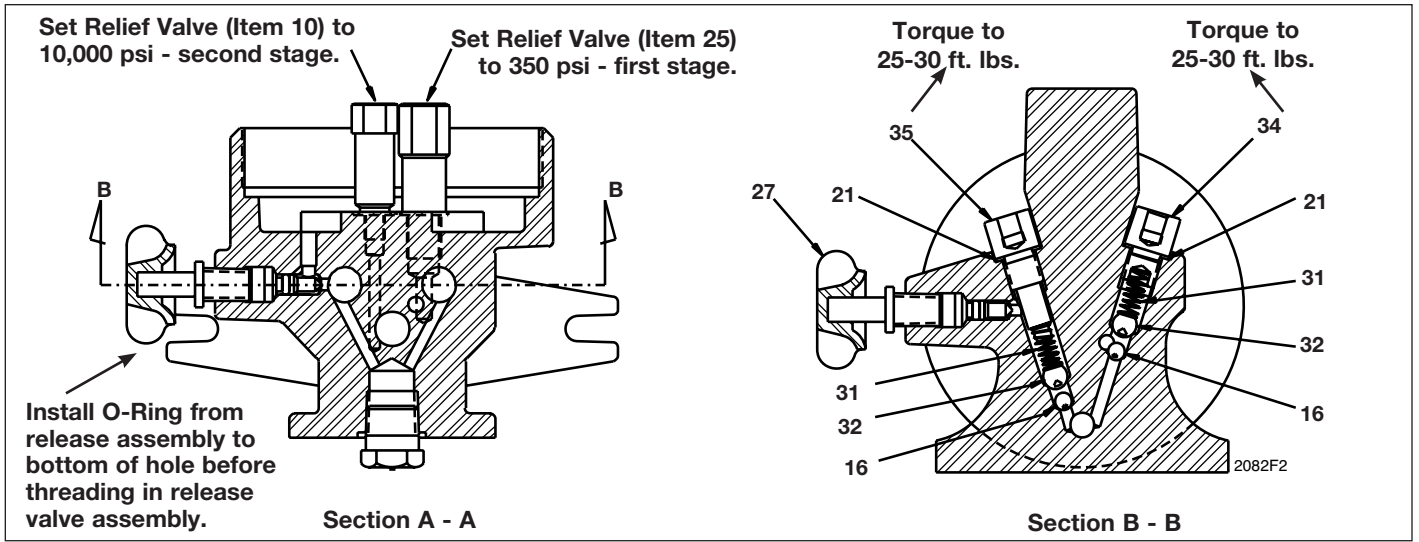
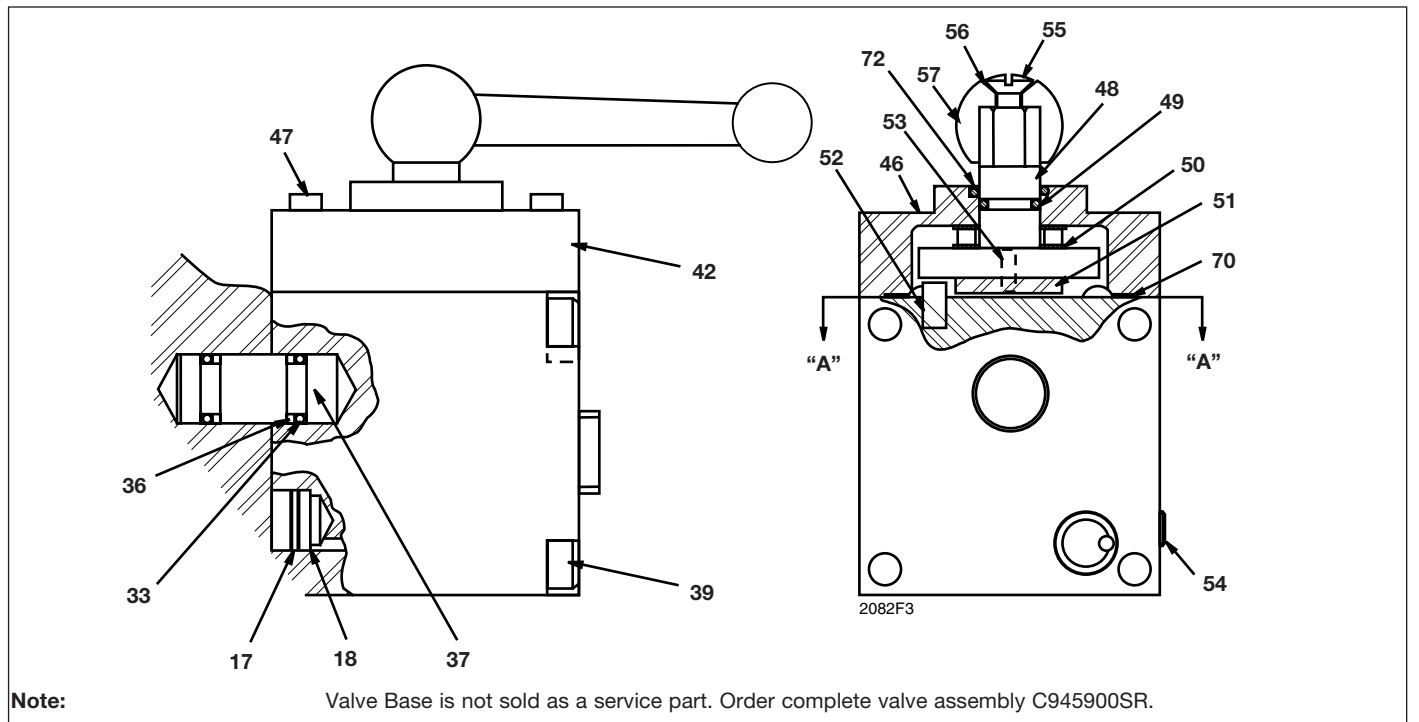


Figure 2, Pump Head

Repair Parts List for Figure 2				
Item No.	Model P-80, 1006	Model P-84	Quantity	Description
10	A8613900SR	A8613900SR	1	Relief Valve (includes Item 38)
16	★ B1006016	† B1006016	2	7/32" Ball
21	★ B159167	† B159167	4	Gasket
25	C960900SR	C960900SR	1	By-pass Valve (Includes Item 21)
27	CL655950SR	—	1	Release Valve (Includes Items 28, 29, 30)
31	★ S1183	† S1183	2	Spring
32	★ B1009016	† B1009016	2	5/16" Ball
34	B249185SR	B249185SR	1	Valve Plug (Includes Items 21, 31, 32, 16)
35	DA2526006SR	DA2526006SR	1	Valve Plug (Includes Items 16, 21, 31, 32)

★ Items are included in Repair Kit P80K4. (Viton Kits: P-80 use P80KV3.)

† Items are included in Repair Kit P84K3. (Viton Kits: P-84 use P84K3V.)



Note:

Valve Base is not sold as a service part. Order complete valve assembly C945900SR.

Figure 3, P-84 Valve Assembly

Repair Parts List for Figure 3

Item No.	Model P-84	Quantity	Description
17	★★†CJ416041	1	Seal Ring
18	† B1084108	1	Washer
33	† B1008503	2	O-ring
36	† B1110564	2	Back-up Washer
37	C952270SR	1	Connector
39	B1025028	4	Cap Screw
42	C945900SR	1	4-Way Valve Assembly (Includes Items 17, 18, 33, 36)
46	C934162SR	1	Valve Body Cap (Includes Item 70)
47	B1332028	4	Socket Head Cap Screw
48	C932071SR	1	Disc (Includes Items 49, 50, 51, 52, 53)
49	★★ B1007503	1	O-ring
50	★★ C940155	1	Needle Thrust Bearing
51	★★ C933561	1	Disc Bar
52	★★ C939153	1	Groove Pin
53	★★ B1049057	2	Spring Pin
54	★★ A1006245	7	Pipe Plug
55	★★ P45138	1	Screw
56	★★ P45139	1	Lock Washer
57	P6012SR	1	Release Valve Lever (Includes Items 55, 56)
70	★★ C957037	1	Gasket
72	★★ A1028476	1	Seal

★★ Items are included in Repair Kit C945900K.

† Items are included in Repair Kit P84K3. (Viton Kits: P-84 use P84K3V.)

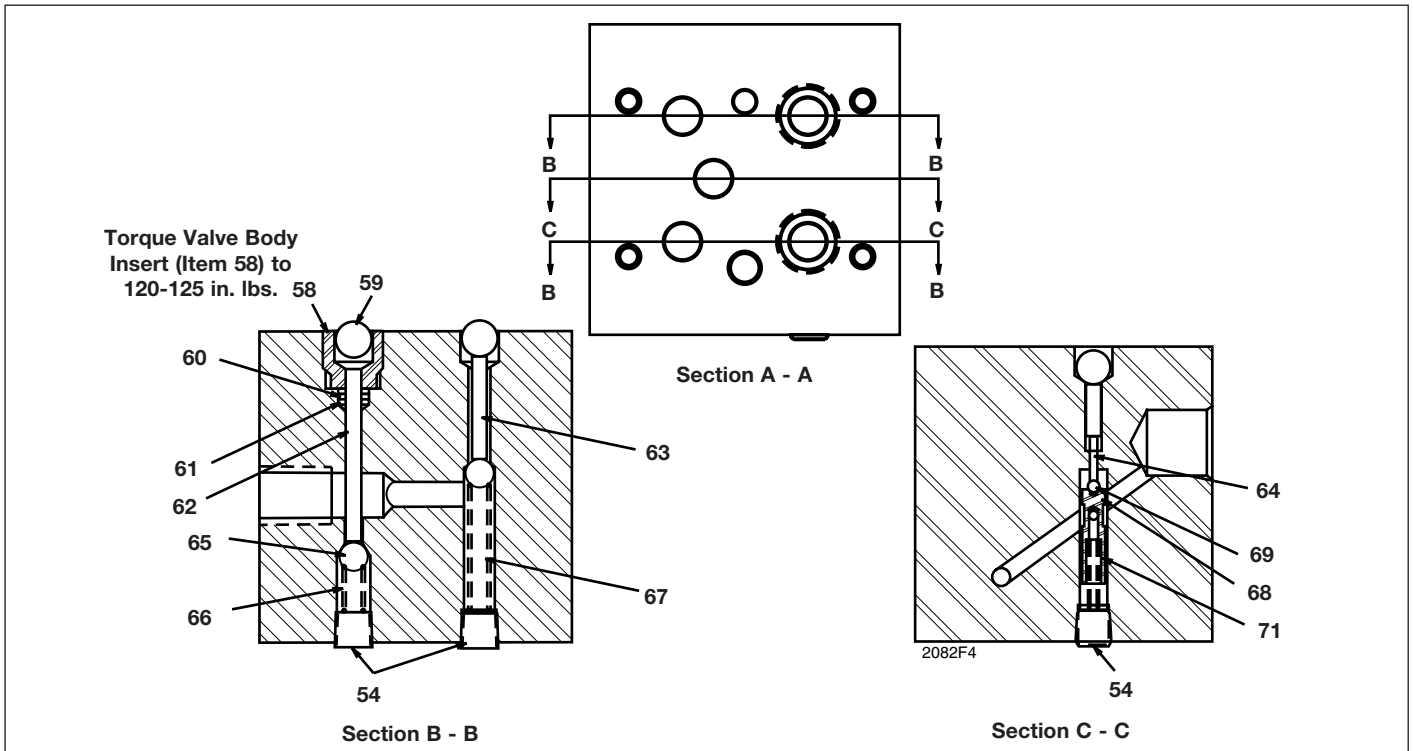


Figure 4, P84 Valve Body

Repair Parts List for Figure 4

Item No.	Model P-84	Quantity	Description
54	★★ A1006245	7	Pipe Plug
58	C861439SR	2	Valve Body Insert (Includes Items 57, 59, 60, 61, 62, 65, 66)
59	★★ B1008016	2	Ball
60	★★ DA5776186	2	Spacer
61	★★ B1001503	2	O-ring
62	★★ C864153	2	Push Pin
63	★★ C863153	2	Push Pin
64	★★ C944153	1	Push Pin
65	★★ B1006016	4	Ball
66	★★ C830110	2	Spring
67	★★ C955110	2	Spring
68	F4570SR	1	Spring / Ball Cap Assembly (Includes Items 64, 67, 71)
69	★★ B1002016	1	Ball
71	★★ DA5769110	1	Spring

★★ Items are included in Repair Kit C945900K.

† Items are included in Repair Kit P84K3. (Viton Kits: P-84 uses P84K3V.)



www.enerpac.com

L2082_Fr Rev. G 01/20

P-80, 1006 modèles avec code date commençant avec la lettre D.
P-84 modèles avec code date commençant avec la lettre A.

Contracter Enerpac en cas de doute quant à l'utilisation du produit.

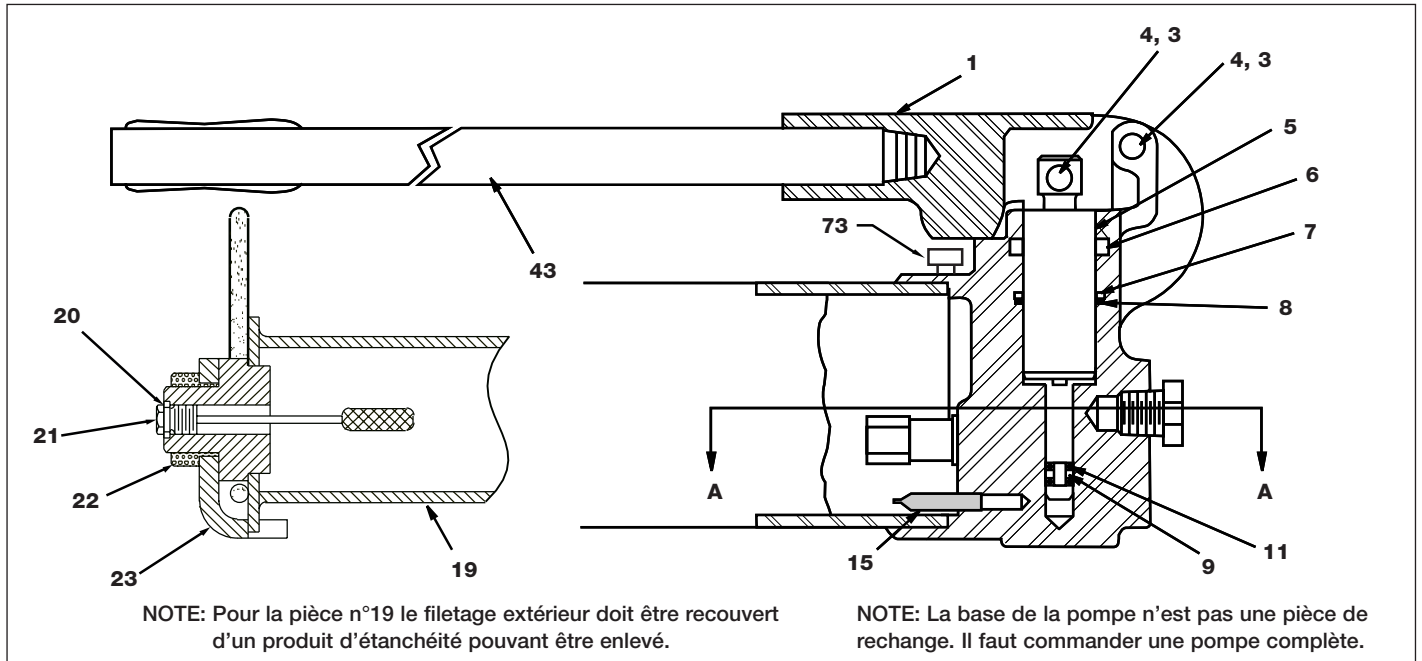


Figure 1, ensemble pompe

Liste pièces de rechange pour figure 1

Pièce n°	Modèle P-80, 1006	Modèle P-801	Modèle P-84	Quantité	Description
1	B113060-1	B113060-1	B113060-1	1	Levier
3	★ DA1177349	★ DA1177349	† DA1177349	2	Bague de retenue
4	DC106061SR1	DC106061SR1	DC106061SR1	2	Axe de levier (comprend pièce 3)
5	CN464051SR2	CN464051SR2	CN464051SR2	1	Plongeur (comprend pièces 3, 4, 6, 7, 8, 9, 11)
6	★ C912044	★ C912044	† C912044	1	Joint racler
7	★ B1216565	★ B1216565	† B1216565	1	Bague support
8	★ B1021503	★ B1021503	† B1021503	1	Garniture joint torique
9	★ B1011803	★ B1011803	† B1011803	1	Joint torique
11	★ B1011564	★ B1011564	† B1011564	1	Bague support
15	★ P30718	★ P30718	† P30718	1	Tamis crépine
19	B245900SR	CS605900	B245900SR	1	Ensemble réservoir
20	CL244950W	CL244950W	CL244950W	1	Bouchon remplissage (comprend pièce 21)
21	★ B159167	★ B159167	† B159167	4	Joint
22	S4123	S4123	S4123	1	Contre-écrou
23	B242267	B242267	B242267	1	Support pomp
43	C7900SR	BSS2922D	C7900SR	1	Ensemble levier de commande
73	CA561024	CA561024	CA561024	1	Passage

★ Pièces comprises dans le kit de réparation P80K4. (Kit Viton : P80KV3 pour P-80).

† Pièces comprises dans le kit de réparation P84K3. (Kit Viton : P84K3V pour P-84).

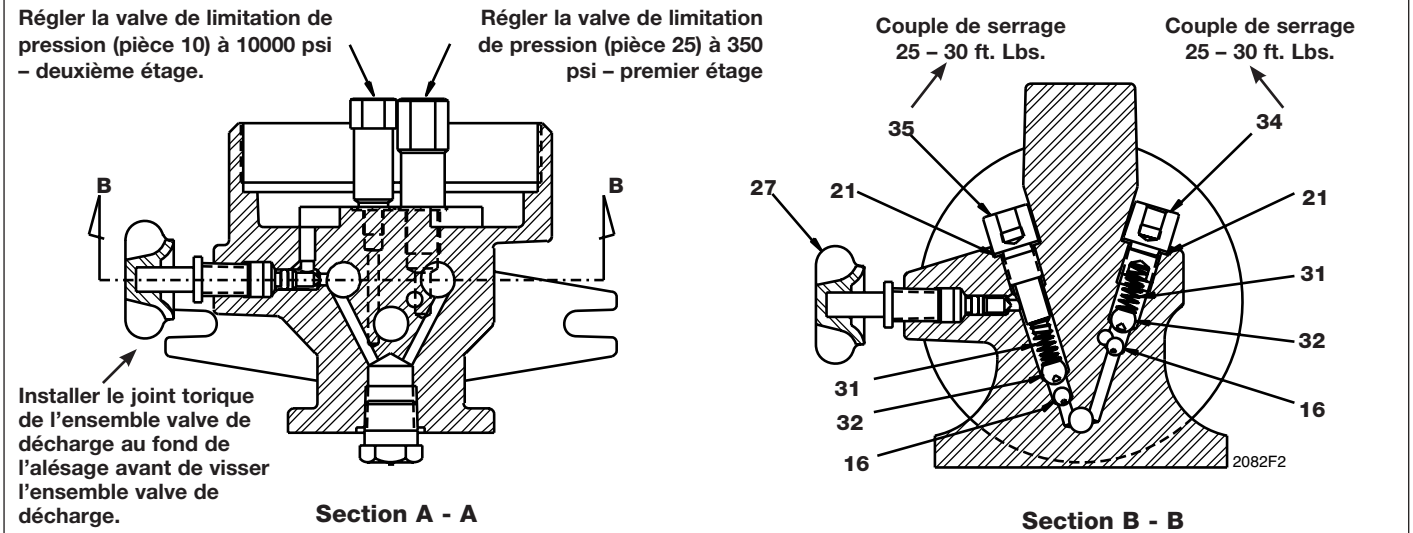


Figure 2, tête de pompe

Liste pièces de rechange pour figure 2				
Pièce n°	Modèle P-80, 1006	Modèle P-84	Quantité	Description
10	A8613900SR	A8613900SR	1	Valve limitation pression (comprend pièce 38)
16	★ B1006016	† B1006016	2	Bille 7/32"
21	★ B159167	† B159167	4	Joint
25	C960900SR	C960900SR	1	Valve de dérivation (comprend pièce 21)
27	CL655950SR		1	Valve limitation pression (comprend pièces 28, 29, 30)
31	★ S1183	† S1183	2	Ressort
32	★ B1009016	† B1009016	2	Bille 5/16"
34	B249185SR	B249185SR	1	Bouchon valve (comprend pièces 21, 31, 32, 16)
35	DA2526006SR	DA2526006SR	1	Bouchon valve (comprend pièces 16, 21, 31, 32,)

★ Pièces comprises dans le kit de réparation P80K4. (Kits Viton : P80KV3 pour P-80).

★ Pièces comprises dans le kit de réparation P84K3. (Kits Viton : P84K3V pour P-84).

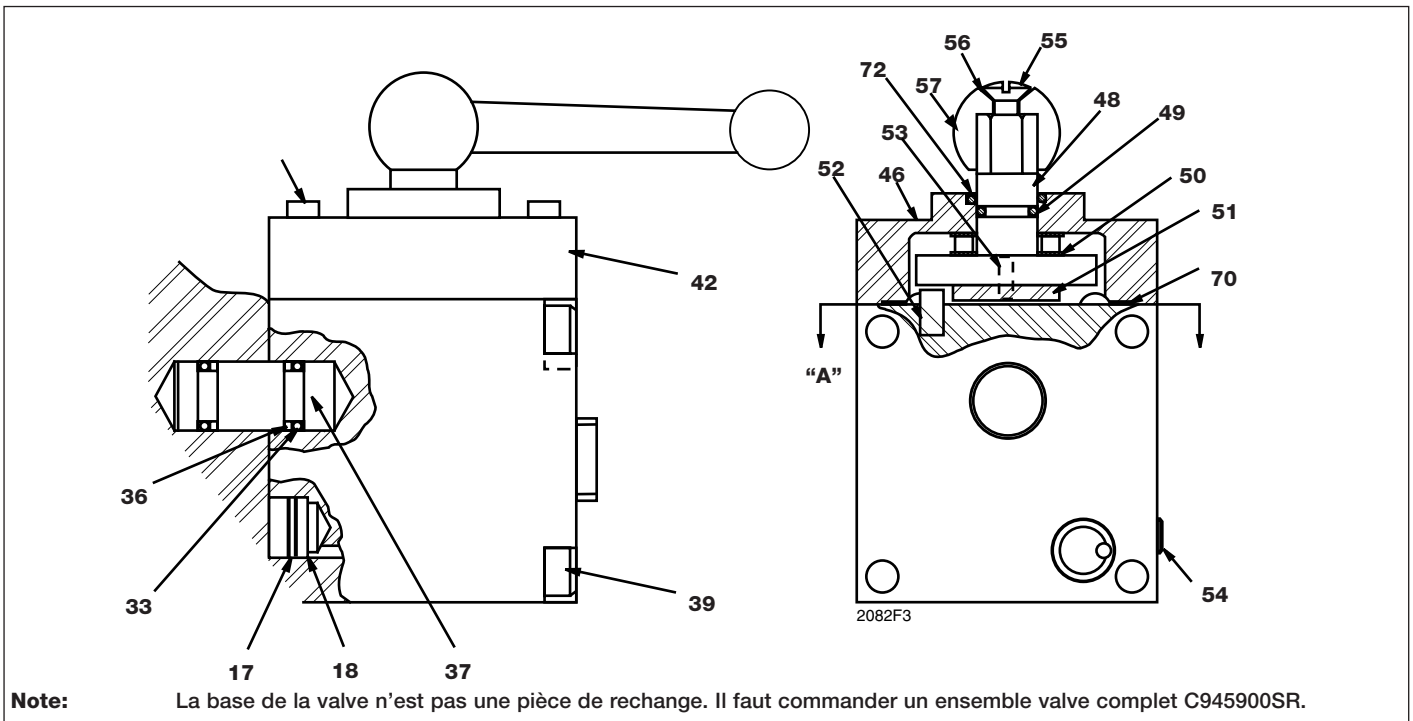


Figure 3, ensemble valve P-84

Liste pièces de rechange pour figure 3

Pièce n°	Modèle P-84	Quantité	Description
17	★★†CJ416041	1	Bague d'étanchéité
18	† B1084108	1	Rondelle
33	† B1008503	2	Joint torique
36	† B1110564	2	Rondelle support
37	C952270SR	1	Connecteur
39	B1025028	4	Capuchon vis
42	C945900SR	1	Ensemble valve à 4 voies (comprend pièces 17, 18, 33, 36)
46	C934162SR	1	Capuchon corps de valve (comprend pièce 70)
47	B1332028	4	Logement capuchon vis
48	C932071SR	1	Disque (comprend pièces 49, 50, 51, 52, 53)
49	★★ B1007503	1	Joint torique
50	★★ C940155	1	Butée à aiguilles
51	★★ C933561	1	Barre disque
52	★★ C939153	1	Goupille rainure
53	★★ B1049057	2	Goupille ressort
54	★★ A1006245	7	Bouchon de tube
55	★★ P45138	1	Vis
56	★★ P45139	1	Rondelle d'arrêt
57	P6012SR	1	Levier valve de décharge (comprend pièces 55, 56)
70	★★ C957037	1	Joint
72	★★ A1028476	1	Joint d'étanchéité

★★ Pièces comprises dans le kit de réparation C945900K.

† Pièces comprises dans le kit de réparation P84K3. (Kits Viton : P84K3V pour P-84).

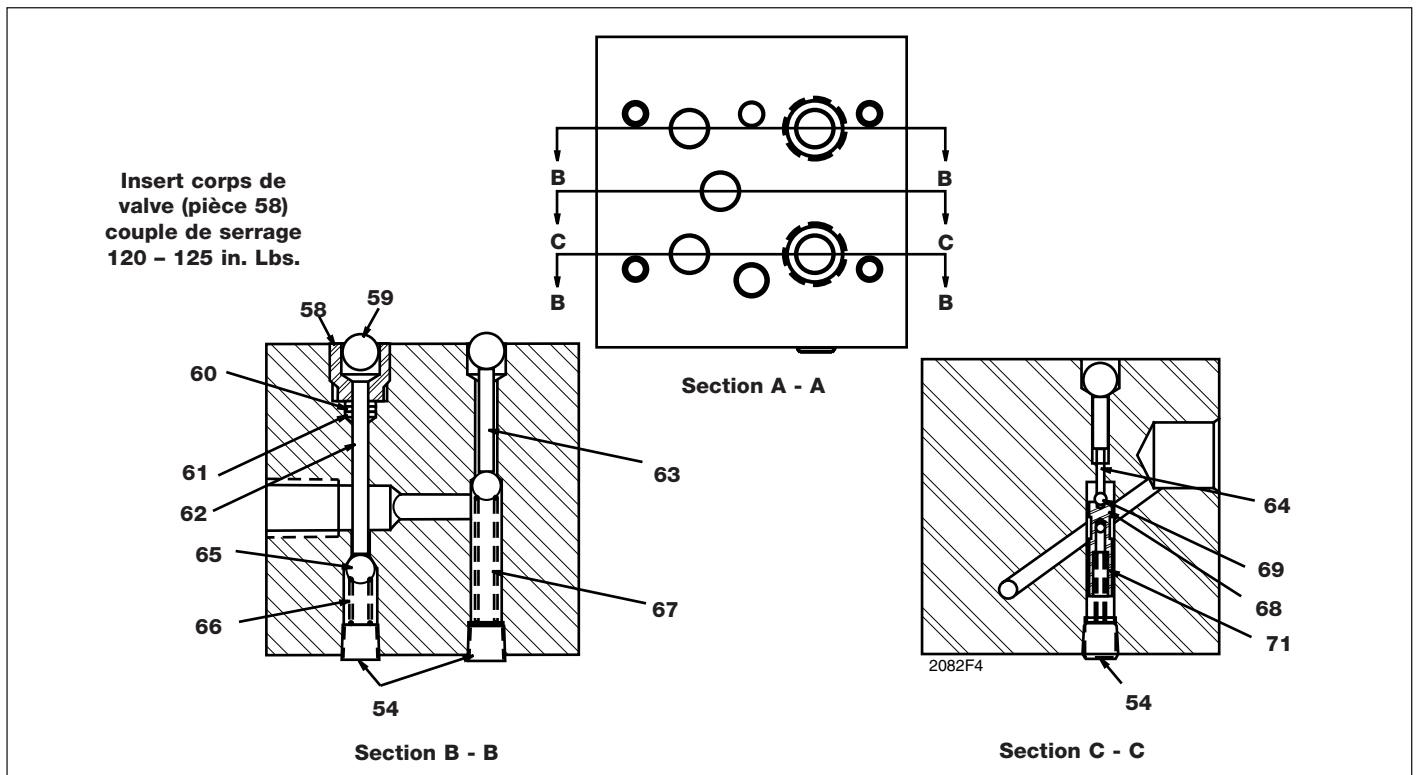


Figure 4, P84 Valve Body

Liste pièces de rechange pour figure 4

Pièce n°	Modèle P-84	Quantité	Description
54	★★ A1006245	7	Bouchon de tube
58	C861439SR	2	Insert corps de valve (comprend pièces 57, 59, 60, 61, 62, 65, 66)
59	★★ B1008016	2	Bille
60	★★ DA5776186	2	Entretoise
61	★★ B1001503	2	Joint torique
62	★★ C864153	2	Tige poussoir
63	★★ C863153	2	Tige poussoir
64	★★ C944153	1	Tige poussoir
65	★★ B1006016	4	Bille
66	★★ C830110	2	Ressort
67	★★ C955110	2	Ressort
68	F4570SR	1	Ensemble ressort capuchon bille comprend pièces 64, 67, 71)
69	★★ B1002016	1	Bille
71	★★ DA5769110	1	Ressort

★★ Pièces comprises dans le kit de réparation C945900K.

† Pièces comprises dans le kit de réparation P84K3. (Kits Viton : P84K3V pour P-84).



www.enerpac.com