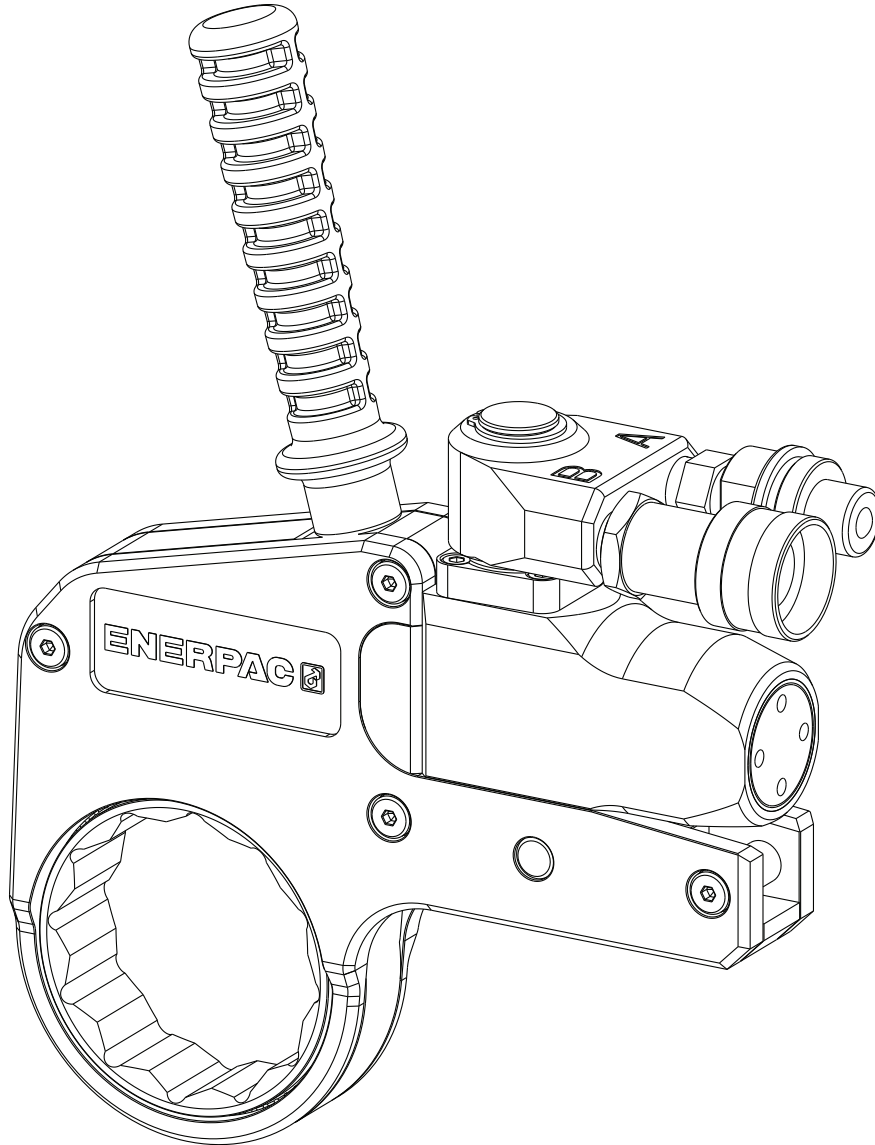


**To Protect Your Warranty, Use Only ENERPAC Hydraulic Oil.**

Enerpac recommends that all kit components be installed to insure optimum performance of the repaired product.



**Contents:**

	<b>Pages</b>
Figure 1, Cassette Assembly . . . . .	2-3
Figure 2, Ratchet Assembly and Sideplates . . . . .	4
Figure 3, Carrying Case . . . . .	5
Figure 4, Drive Unit and Swivel Assemblies . . . . .	6-7

**Note:** Refer to the wrench instruction sheet for:

- Inspection, lubrication and maintenance instructions.
- Torque specifications for selected fasteners.

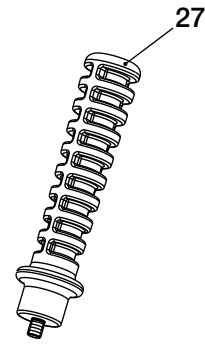
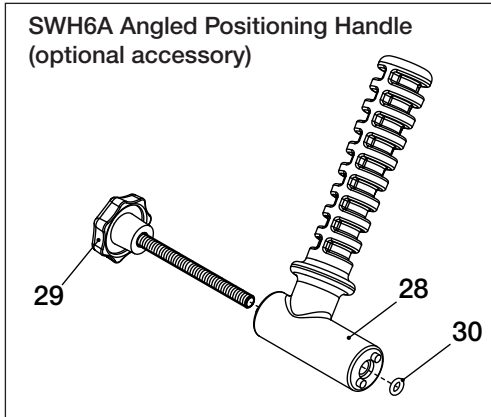
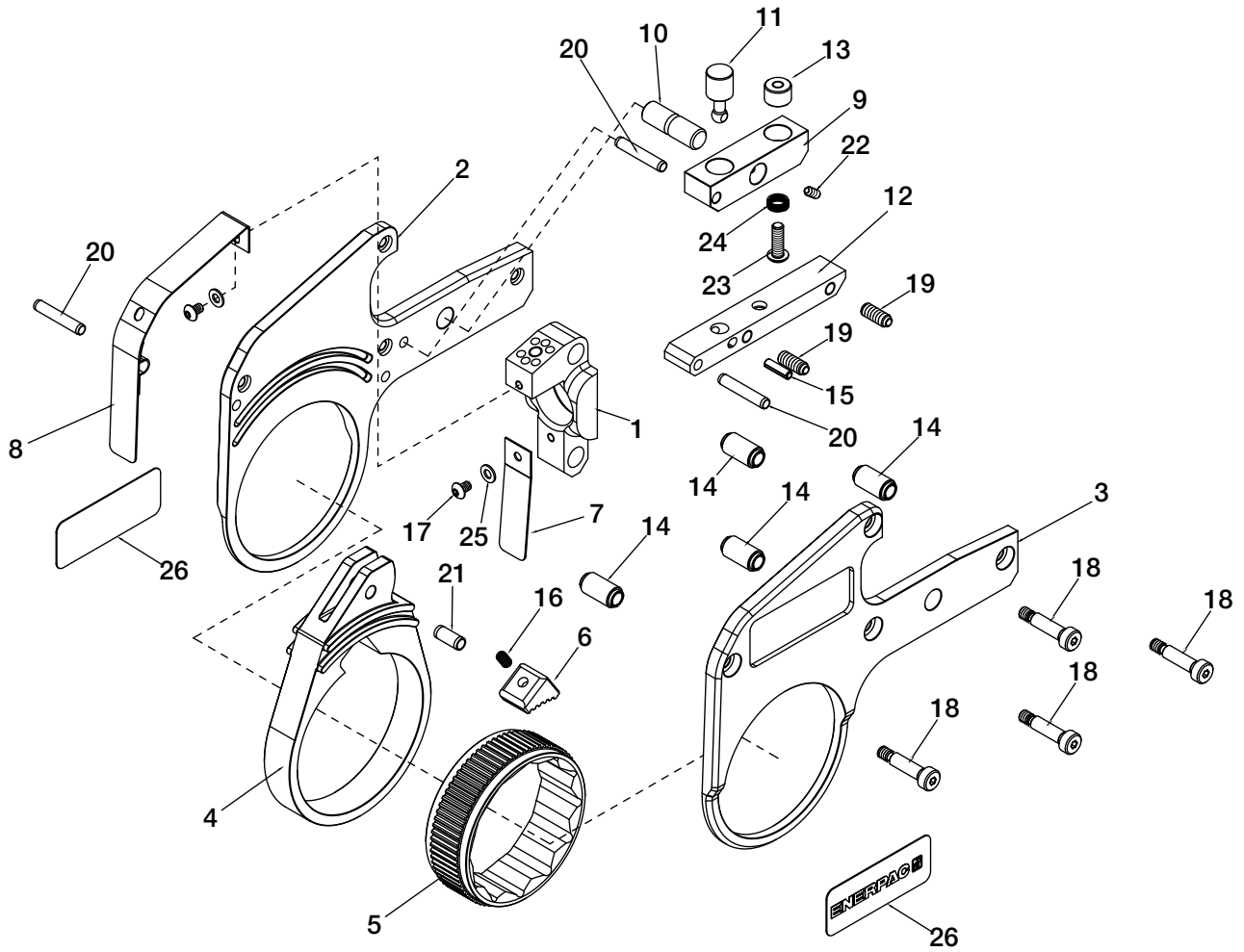


Figure 1, Cassette Assembly, W2000SL Series

**Repair Parts List for Figure 1**

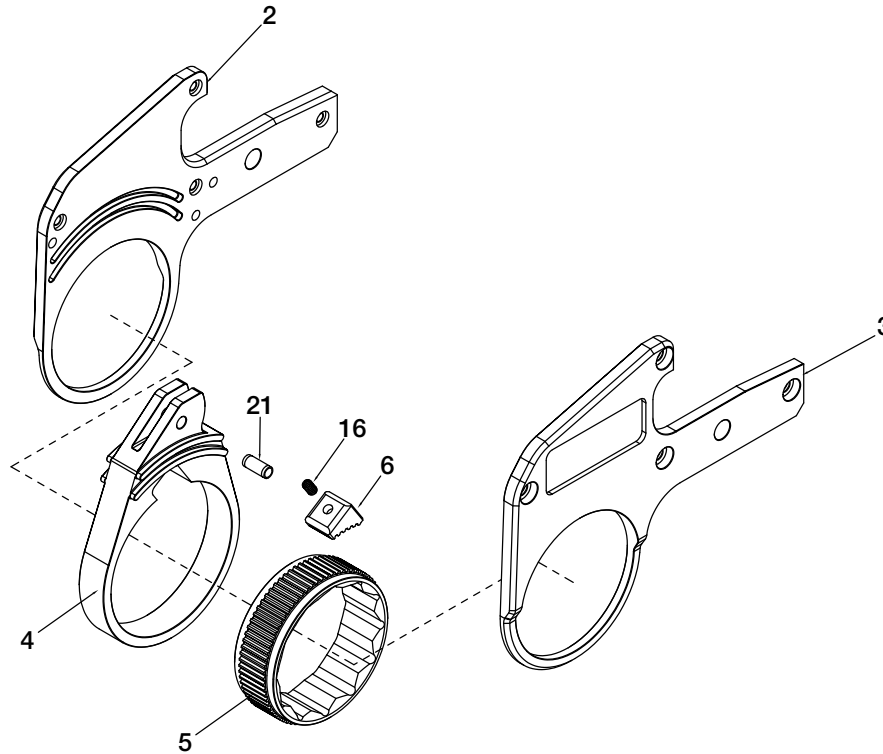
Item	Part Number	Quantity (used on wrench)	Quantity (included in each kit)								(*) Item available separately OR in kit.	Description	
			Sideplate Kit, LH and RH (see Figure 2 for kit details)	Ratchet Lever and Pin Kit (see Figure 2 for kit details)	Ratchet and Drive Shoe Kit (see Figure 2 for kit details)	Drive Shoe Kit (see Figure 2 for kit details)	Head Guard Kit, UltraSlim W2000SLHGK	Safe Link Kit W2000SLKB	Cassette Hardware Kit W2000CHKB	Head Spacer Kit W2000HSK			Angled Positioning Handle Kit SWH6A (optional)
1	(Not Available)	1											Cylinder Locating Plate
2	(See Figure 2)	1	1										Sideplate, Right-Hand
3	(See Figure 2)	1	1										Sideplate, Left-Hand
4	(See Figure 2)	1		1									Ratchet Lever
5	(See Figure 2)	1			1							*	Ratchet
6	(See Figure 2)	1			1	1							Drive Shoe
7	W2000SL117	1					1						Guard, Rear
8	W2000SL116	1					1						Guard, Front
9	(Not Available)	1											Pin Retainer
10	2000110A	1						1				*	Spacer Retaining Pin
11	2000109A	1						1					Cylinder Retaining Pin
12	2000114A	1											Reaction Foot
13	2000115	1						1					Fail Safe Pin
14	2000113A	4								4			Sideplate Spacer
15	CCA417057-2A	1						1					Pin, Spirol
16	E3074K	1			1	1			1			*	Spring, Compression (packet of 10)
17	CBA411028-1E	2					2		2				Screw, Button Head
18	2000129	4							4	4			Screw, Shoulder, Modified
19	E4574	2						2	2				Spring, Plunger
20	CCA527057-2A	3							3			*	Pin, Spirol Spring (packet of 10)
21	E4844	1		1					1				Pin, Spirol Spring
22	E4728	1							1				Ball Detent
23	CBA519028-1E	1						1	1				Screw, Button Head
24	E3083	1						1					Spring, Compression
25	CAE1040108-1A	2					2		2				Washer, Flat
26	SL100154	2							2				Nameplate, Enerpac
27	SWH6S	1											Positioning Handle, Straight
28	DM0341070	1									1		Positioning Handle, Angled
29	DM0309147	1									1		Thumbscrew
30	E2393	1									1		O-Ring

**Notes:**

- Enerpac recommends that all kit components be installed to assure optimum performance of the repaired product.
- Items 16 and 20: Packet quantity is provided only when item is ordered separately and not included in a kit.

**Note:** This view contains only ratchet and sideplate parts.

- Refer to Figure 2 repair parts list (see below) for ratchet and sideplate parts kit information.
- Refer to Figure 1 on pages 2 and 3 for the main parts list and a complete exploded view of all cassette parts.



**Note:** Refer to the wrench instruction sheet for:

- Inspection, lubrication and maintenance instructions.
- Torque specifications for selected fasteners.

**Figure 2, Ratchet Assembly and Sideplates, W2000SL Series**

**Repair Parts List for Figure 2**

Cassette Model	Size		Part Numbers				
	Inch	mm	Ratchet Only (Figure 2, item 5)	Drive Shoe Kit (Figure 2, items 6 & 16)	Ratchet and Drive Shoe Kit (Figure 2, items 5, 6 & 16)	Ratchet Lever and Pin Kit (Figure 2, items 4 & 21)	Sideplate Kit LH and RH (Figure 2, items 2 and 3)
W2113SL	1 13/16	46	W2000SL121113	W2113SLDSK	W2113SLRK	W2000SL120113A	W2000SL175113A
W2203SL	2 3/16	55	W2000SL121203	W2203SLDSK	W2203SLRK	W2000SL120203A	W2000SL175203A
W2206SL	2 3/8	60	W2000SL121206	W2206SLDSK	W2206SLRK	W2000SL120206A	W2000SL175206A

**Note:** Enerpac recommends that all kit and subassembly components be installed to assure optimum performance of the repaired product.

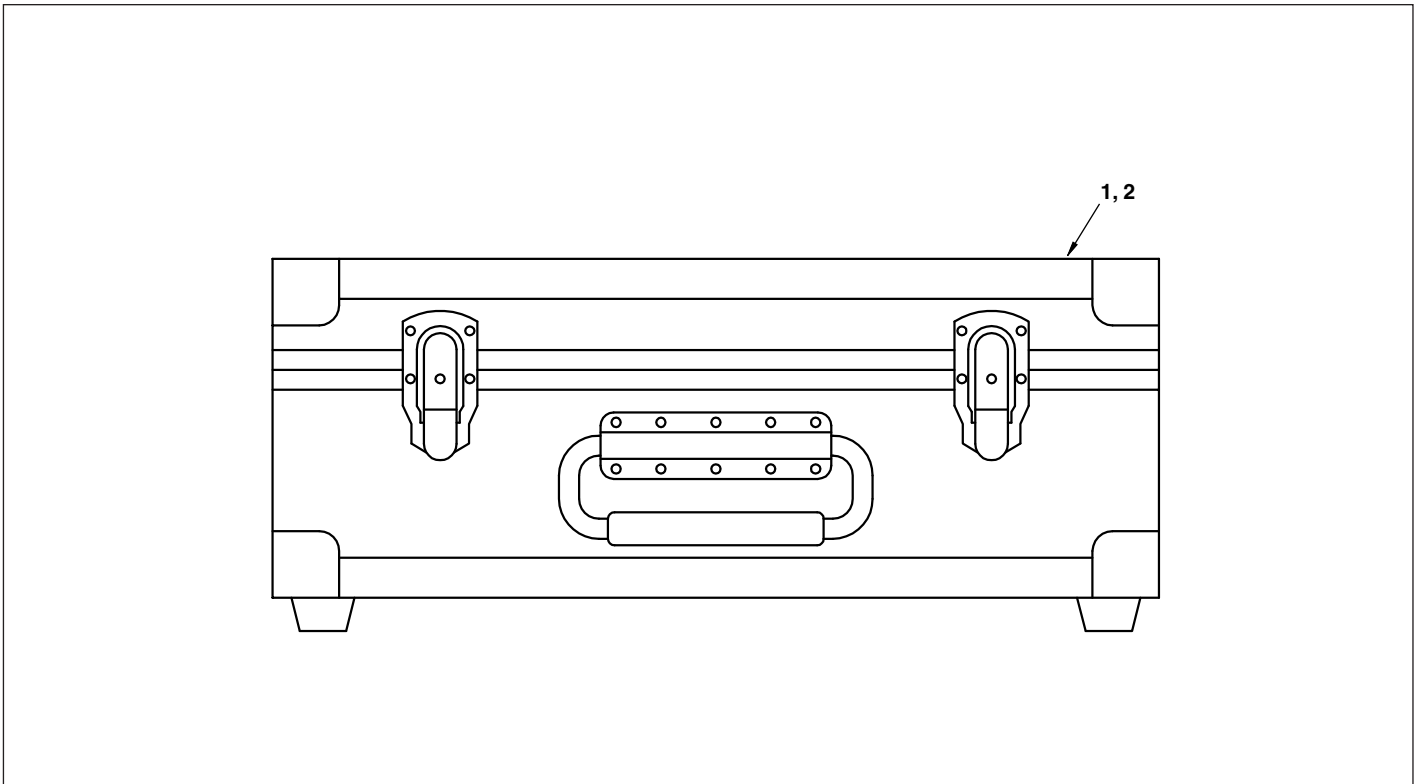
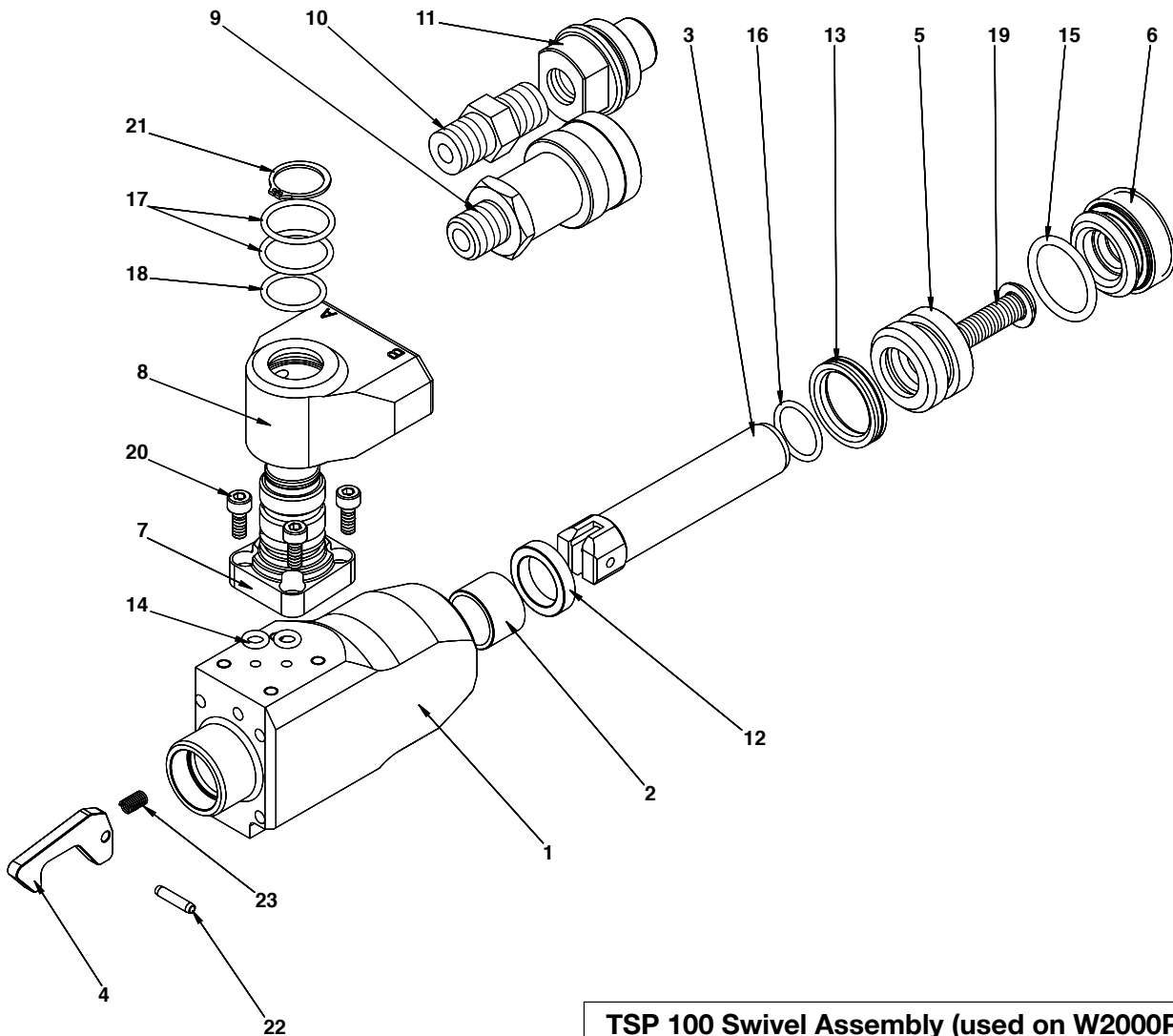


Figure 3, Carrying Case, W2000 Series (typical - appearance may vary)

Repair Parts List for Figure 3			
Item	Part Number	Qty.	Description
1	DD1362530	1	Carrying Case, Drive Unit, W2000 Series
2	DD1377530	1	Carrying Case, Cassette, W2000 Series



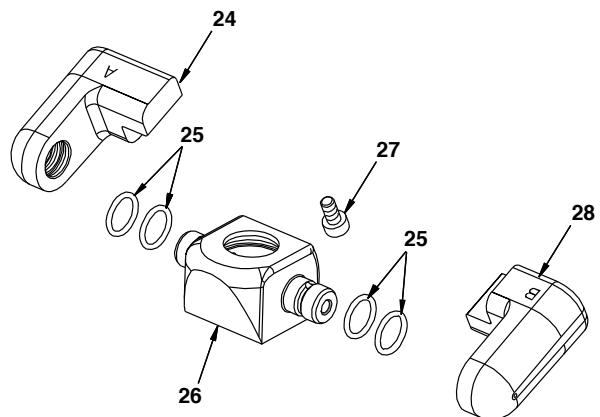
**Notes:**

- Refer to page 7 for parts kit information.
- Drive units with model numbers ending in "P" are factory equipped with the TSP100 Swivel Assembly.

Refer to the wrench instruction sheet for:

- Inspection, lubrication and maintenance instructions.
- Torque specifications for selected fasteners.

**TSP 100 Swivel Assembly (used on W2000P)**



**(optional - replaces item 8)**

**Figure 4, Drive Unit and Swivel Assemblies, W2000**

**Repair Parts List for Figure 4**

Item	Part Number	Quantity (used on drive unit)		Quantity (included in each kit)						(*) Item available separately OR in kit.	Description	
		Model W2000	Model W2000P	Drive Unit Seal Kit W2000SK	Retract Link Kit W2000RLK	Drive Unit Rebuild Kit W2000DRK	Swivel Manifold Seal Kit W2000MSK	Swivel Post and Manifold Kit W2000SMK (For Standard Swivel)	Swivel Manifold Kit TSP100A (For TSP100 Swivel)			Swivel Post and Manifold Kit TSP100MK (For TSP100 Swivel)
1	(Not Available)	1	1									Cylinder Body (housing)
2	2000106A	1	1			1						Cylinder Bushing
3	2000104	1	1			1						Piston Rod
4	2000105	1	1		1							Retract Link
5	2000103	1	1			1						Piston
6	2000102	1	1			1						Cylinder Gland
7	1000S004	1	1					1		1	*	Swivel Manifold Post (small)
8	1000S003	1	---					1			*	Swivel Manifold Block (non-tilt)
9	TR630	1	1						1	1		Coupling, 10,000 PSI Screw-On
10	FZ1608	1	1						1	1		Adaptor, Hex 10,000 PSI
11	TH630	1	1						1	1		Nipple, 10,000 PSI Screw-On
12	E2334	1	1	1								Seal, Rod
13	E2314	1	1	1								Seal, T-Piston w/Back Up Rings
14	E2304K	2	2	2			2	2		2	*	O-Ring (packet of 10)
15	E2316	1	1	1								O-Ring
16	E2237	1	1	1								O-Ring
17	E2239	2	2	2			2	2	2	2		O-Ring
18	E2237	1	1	1			1	1	1	1		O-Ring
19	E4578	1	1			1						Screw, Button Head
20	E4598	4	4					4		4		Swivel Manifold Retaining Bolt
21	E4017	1	1	1			1	1	1	1		Retainer Ring, Circlip
22	E4577	1	1		1							Pin, Spirol Spring
23	E3074K	1	1		1						*	Spring, Compression (packet of 5)
24	1000S009	---	1						1	1		Swivel Arm, Pressure A
25	E2173	---	4				4		4	4		O-Ring, Double Swivel
26	1000S011	---	1						1	1		Manifold Block, Double Swivel
27	E4650	---	1				1		1	1		Capscrew, Swivel Arm
28	1000S010	---	1						1	1		Swivel Arm, Return B

**Notes:** • Enerpac recommends that all kit components be installed to assure optimum performance of the repaired product.  
 • Items 14 and 23: Packet quantity is provided only when item is ordered separately and not included in a kit.

## Enerpac Worldwide Locations

◆ e-mail: [info@enerpac.com](mailto:info@enerpac.com)

◆ internet: [www.enerpac.com](http://www.enerpac.com)

### Australia and New Zealand

Actuant Australia Ltd.  
Block V Unit 3  
Regents Park Estate  
391 Park Road  
Regents Park NSW 2143  
(P.O. Box 261) Australia  
T +61 (0)2 9743 8988  
F +61 (0)2 9743 8648  
[sales-au@enerpac.com](mailto:sales-au@enerpac.com)

### Brazil

Power Packer do Brasil Ltda.  
Rua Luiz Lawrie Reid, 548  
09930-760 - Diadema (SP) - Brazil  
T +55 11 5687 2211  
Toll Free: 0800 891 5770  
[vendasbrasil@enerpac.com](mailto:vendasbrasil@enerpac.com)

### China (Taicang)

Actuant (China) Industries Co. Ltd.  
No.6 Nanjing East Road,  
Taicang Economic Dep Zone  
Jiangsu, China  
T +86 0512 5328 7500  
F +86 0512 5335 9690  
Toll Free: +86 400 885 0369  
[sales-cn@enerpac.com](mailto:sales-cn@enerpac.com)

### France, Switzerland, North Africa and French speaking African countries

ENERPAC  
Une division d'ACTUANT France S.A.S.  
ZA de Courtaboeuf  
32, avenue de la Baltique  
91140 VILLEBON /YVETTE  
France  
T +33 1 60 13 68 68  
F +33 1 69 20 37 50  
[sales-fr@enerpac.com](mailto:sales-fr@enerpac.com)

### Germany and Austria

ENERPAC GmbH  
P.O. Box 300113  
D-40401 Düsseldorf  
Willstätterstrasse 13  
D-40549 Düsseldorf, Germany  
T +49 211 471 490  
F +49 211 471 49 28  
[sales-de@enerpac.com](mailto:sales-de@enerpac.com)

### India

ENERPAC Hydraulics (India) Pvt. Ltd.  
No. 10, Bellary Road, Sadashivanagar,  
Bangalore, Karnataka 560 080  
India  
T +91 80 3928 9000  
[info@enerpac.co.in](mailto:info@enerpac.co.in)  
[www.enerpac.com](http://www.enerpac.com)

### Italy

ENERPAC S.p.A.  
Via Canova 4  
20094 Corsico (Milano)  
T +39 02 4861 111  
F +39 02 4860 1288  
[sales-it@enerpac.com](mailto:sales-it@enerpac.com)

### Japan

Applied Power Japan LTD KK  
Besshocho 85-7  
Kita-ku, Saitama-shi 331-0821, Japan  
T +81 48 662 4911  
F +81 48 662 4955  
[sales-jp@enerpac.com](mailto:sales-jp@enerpac.com)

### Middle East, Egypt and Libya

ENERPAC Middle East FZE  
Office 423, LOB 15  
P.O. Box 18004, Jebel Ali, Dubai  
United Arab Emirates  
T +971 (0)4 8872686  
F +971 (0)4 8872687  
[sales-ua@enerpac.com](mailto:sales-ua@enerpac.com)

### Russia

Rep. office Enerpac  
Russian Federation  
Admirala Makarova Street 8  
125212 Moscow, Russia  
T +7 495 98090 91  
F +7 495 98090 92  
[sales-ru@enerpac.com](mailto:sales-ru@enerpac.com)

### Southeast Asia, Hong Kong and Taiwan

Actuant Asia Pte Ltd.  
83 Joo Koon Circle  
Singapore 629109  
T +65 68 63 0611  
F +65 64 84 5669  
Toll Free: +1800 363 7722  
[sales-sg@enerpac.com](mailto:sales-sg@enerpac.com)

### South Korea

Actuant Korea Ltd.  
3Ba 717, Shihwa Industrial Complex  
Jungwang-Dong, Shihung-Shi,  
Kyunggi-Do  
Republic of Korea 429-450  
T +82 31 434 4506  
F +82 31 434 4507  
[sales-kr@enerpac.com](mailto:sales-kr@enerpac.com)

### Spain and Portugal

ENERPAC SPAIN, S.L.  
Avda. Los Frailes, 40 - Nave C & D  
Pol. Ind. Los Frailes  
28814 Daganzo de Arriba  
(Madrid) Spain  
T +34 91 884 86 06  
F +34 91 884 86 11  
[sales-es@enerpac.com](mailto:sales-es@enerpac.com)

### Sweden, Denmark, Norway,

### Finland and Iceland

Enerpac Scandinavia AB  
Kopparlundsvägen 14,  
721 30 Västerås  
Sweden  
T +46 (0) 771 41 50 00  
[scandinavianinquiries@enerpac.com](mailto:scandinavianinquiries@enerpac.com)

### The Netherlands, Belgium, Luxembourg, Central and Eastern Europe, Baltic States, Greece, Turkey and CIS countries

ENERPAC B.V.  
Galvanistraat 115, 6716 AE Ede  
P.O. Box 8097, 6710 AB Ede  
The Netherlands  
T +31 318 535 911  
F +31 318 535 848  
[sales-nl@enerpac.com](mailto:sales-nl@enerpac.com)

### Enerpac Integrated Solutions B.V.

Opaalstraat 44, 7554 TS Hengelo  
P.O. Box 421, 7550 AK Hengelo  
The Netherlands  
T +31 74 242 20 45  
F +31 74 243 03 38  
[integratedsolutions@enerpac.com](mailto:integratedsolutions@enerpac.com)

### South Africa and other English speaking African countries

Enerpac Africa Pty Ltd.  
No. 5 Bauhinia Avenue  
Cambridge Office Park  
Block E  
Highveld Techno Park  
Centurion 0157  
Republic of South Africa  
T: +27 12 940 0656  
[sales-za@enerpac.com](mailto:sales-za@enerpac.com)

### United Kingdom and Ireland

ENERPAC UK Ltd.  
5 Coopies Field  
Morpeth, Northumberland  
NE61 6JR, England  
T +44 (0) 1670 5016 50  
F +44 (0) 1670 5016 51  
[sales-uk@enerpac.com](mailto:sales-uk@enerpac.com)

### USA, Latin America and Caribbean

ENERPAC World Headquarters  
P.O. Box 3241  
Milwaukee WI 53201-3241 USA  
N86 W12500 Westbrook Crossing  
Menomonee Falls, Wisconsin 53051  
T +1 262 293 1600  
F +1 262 293 7036  
User inquiries:  
T +1 800 433 2766  
Distributor inquiries/orders:  
T +1 800 558 0530  
F +1 800 628 0490  
Technical inquiries:  
[techservices@enerpac.com](mailto:techservices@enerpac.com)  
[sales-us@enerpac.com](mailto:sales-us@enerpac.com)

All Enerpac products are  
guaranteed against defects  
in workmanship and materials  
for as long as you own them.

For the location of your nearest  
authorized Enerpac Service Center,  
visit us at [www.enerpac.com](http://www.enerpac.com)