

Document Number	Revision	Revision Date	Product Code Beginning With
L4255	Rev. C	07/2020	A

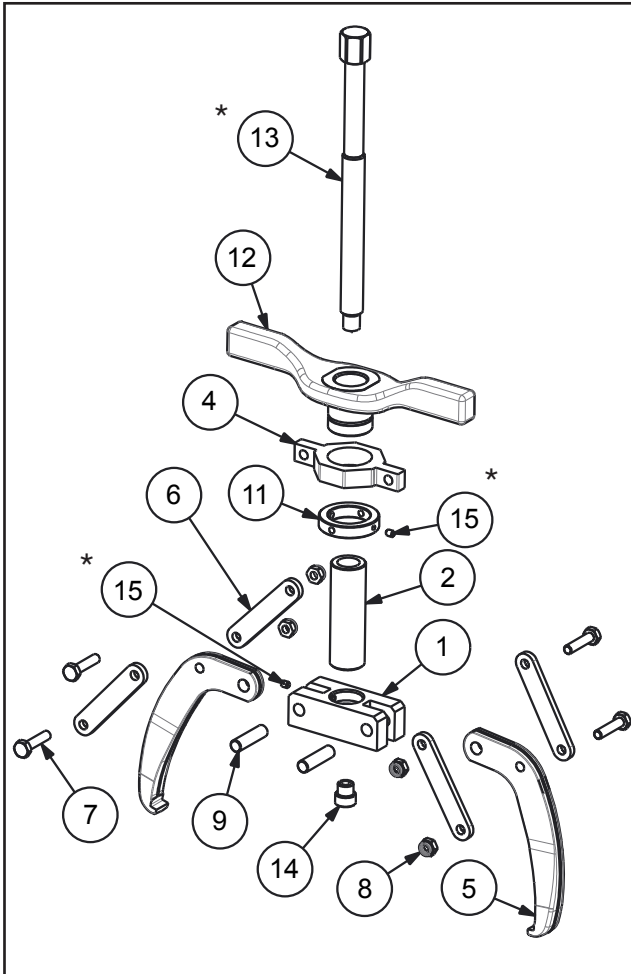


Figure 1, puller assembly for models LGM203, LGM204 and LGM207.
(Also valid for models LGM305, LGM306 and LGM308, which have 3 jaws).

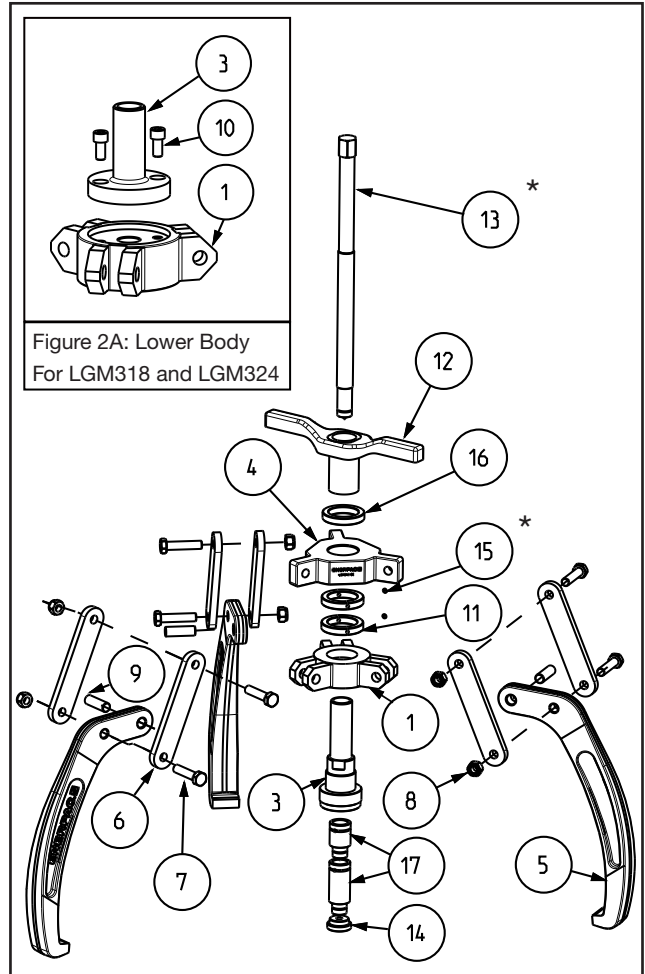


Figure 2A: Lower Body For LGM318 and LGM324

Figure 2, puller assembly for models LGM340, LGM318, and LGM324.
(Also valid for model LGM211, which has only 2 jaws).



**Note: See Page 2
for parts list.**

(*) Notes	
13	Apply Molykote 1122 to threads.
15	Bolt size M4 for models LGM203, LGM305, LGM204 and LGM306. Bolt size M5 for models LGM207, LGM308 (only for the bolt inserted in the lower body).

Repair Parts List, Figures 1 and 2 (Models with 2 jaws)

Item	Description	Qty.	Parts Kit			
			LGM203	LGM204	LGM207	LGM211
1	Lower Body	1	*	★	☾	+
2	Spindle Controller	1	*	★	☾	N/A
3	Threaded Base	1	N/A	N/A	N/A	+
4	Upper Body	1	#	⊙	☾	##
5	Jaw	2	LGM203K4	LGM204K4	LGM207K4	LGM211K4
6	Strap	4	Δ	▣	☾	□
7	Jaw Screw	4	Δ	▣	☾	□
8	Nut	4	Δ	▣	☾	□
9	Pin	2	*	★	☾	+
10	Base Screw	2	N/A	N/A	N/A	+
11	Support Nut	1	#	⊙	☾	##
12	Handle and Cap	1	#	⊙	☾	##
13	Spindle	1	LGM0305K5	LGM0406K5	LGM0708K5	LGM1113K5
14	Point Protector	1	SGM0404	SGM0404	SGM0704	SGM0704
15	Set Screw	1	* #	★ ⊙	☾	##

Notes:

* included in LGM203K1 ★ included in LGM204K1 ☾ included in LGM207K1 + included in LGM211K1
 # included in LGM203K2 ⊙ included in LGM204K2 ☾ included in LGM207K2 ## included in LGM211K2
 Δ included in LGM203K3 ▣ included in LGM204K3 ☾ included in LGM207K3 □ included in LGM211K3

Repair Parts List, Figures 1 and 2 (Models with 3 jaws)

Item	Description	Qty.	Parts Kit					
			LGM305	LGM306	LGM308	LGM318	LGM324	LGM340
1	Lower Body	1	×	▼	♥	✓	●	◆
2	Spindle Controller	1	×	▼	♥	N/A	N/A	N/A
3	Threaded Base	1	N/A	N/A	N/A	✓	●	◆
4	Upper Body	1	↓	☐	→	↑	■	✘
5	Jaw	3	LGM305K4	LGM306K4	LGM308K4	LGH310K4	LGH314K4	LGH324K4
6	Strap	6	**	§	←	♠	▲	◆
7	Jaw Screw	6	**	§	←	♠	▲	◆
8	Nut	6	**	§	←	♠	▲	◆
9	Pin	3	×	▼	♥	✓	●	◆
10	Base Screw	2	N/A	N/A	N/A	✓	●	N/A
11	Support Nut	1	↓	☐	→	↑	■	◆ ✘
12	Handle and Cap	1	↓	☐	→	↑	■	✘
13	Spindle	1	LGM0305K5	LGM0406K5	LGM0708K5	LGM1113K5	LGM324K5	LGM340K5
14	Point Protector	1	SGM0404	SGM0404	SGM0704	SGM0704	LGH14K6	LGH24K6
15	Set Screw	1	× ↓	▼ ☐	♥	↑	■	◆ ✘
16	Handle Ring	1	-	-	-	N/A	N/A	✘
17	Spindle Extender	2	-	-	-	N/A	LGM324K7	LGM340K7

Notes:

× included in LGM305K1 ▼ included in LGM306K1 ♥ included in LGM308K1 ✓ included in LGM318K1
 ↓ included in LGM305K2 ☐ included in LGM306K2 → included in LGM308K2 ↑ included in LGM318K2
 ** included in LGM305K3 § included in LGM306K3 ← included in LGM308K3 ♠ included in LGM318K3
 ● included in LGM324K1 ◆ included in LGM340K1
 ■ included in LGM324K2 ✘ included in LGM340K2
 ▲ included in LGM324K3 ◆ included in LGM340K3