

L4517

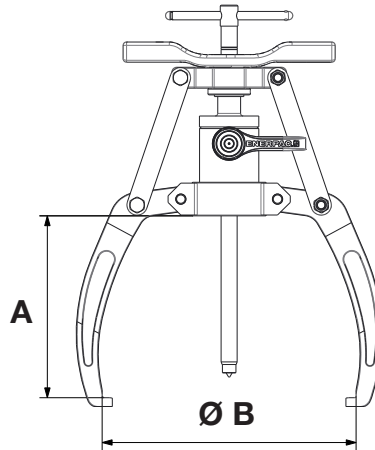
Rev. A

09/20

EN

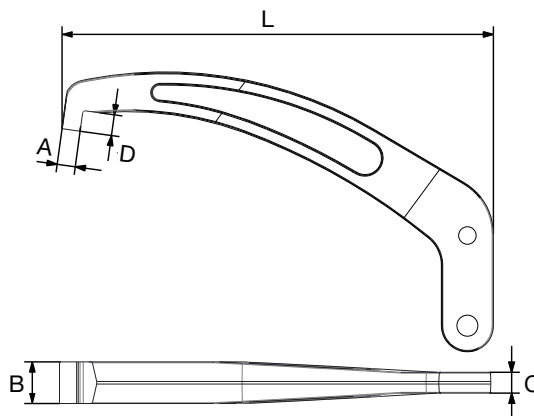
1.0 PRODUCT DATA

1.1 Specifications and Dimensions - Puller Reach and Spread



Jaw Model No.	Designed for use with puller model:	A max.		Ø B max.		Ø B min.	
		in	mm	in	mm	in	mm
LG10L	LGH210 / LGH310 / LGM211 / LGM318	13.26	337	16.14	410	1.88	48
LG14L	LGH214 / LGH314 / LGM324	16.33	415	20.30	516	2.18	55
LG24L	LGH224 / LGH324 / LGM340	20.47	520	28.03	712	3.00	77

1.2 Dimensions and Weights - Puller Jaws



Jaw Model No.	A		B		C		D		L		Weight	
	in	mm	in	mm	in	mm	in	mm	in	mm	lb	kg
LG10L	0.59	15	0.94	24	0.47	12	0.47	12	14.57	370	4.7	2.1
LG14L	0.83	21	1.18	30	0.63	16	0.59	15	17.64	448	9.3	4.2
LG24L	1.02	26	1.77	45	0.79	20	0.75	19	21.93	557	20.5	9.3

2.0 Setup and Assembly

2.1 Handling Large Pullers

- Use a hoist and slings of suitable rated capacity to lift and unload the puller.
- Know the weight of the complete puller assembly, including puller, hydraulic cylinder and all attachments.
- If needed, support the puller with slings so that it can be positioned horizontally. When reorienting the puller from horizontal to the vertical position, incline the puller slowly and carefully.

2.2 Installation of Long Jaws

Install long jaws as described in the following steps. Refer to figures 1 through 5 for reference.

1. Remove the Grade 8 bolt connecting strap to jaw.
2. Using a hammer and punch, depress the peened area of the puller lower body to allow the pin to pass.
3. Remove pin.
4. Remove and replace the standard jaw with the long jaw.
5. Reinstall pin.
6. Using a hammer and punch, peen the puller lower body to retain pin.
7. Reattach strap with Grade 8 bolt.
8. Repeat steps 1-7 to install the remaining long jaws.

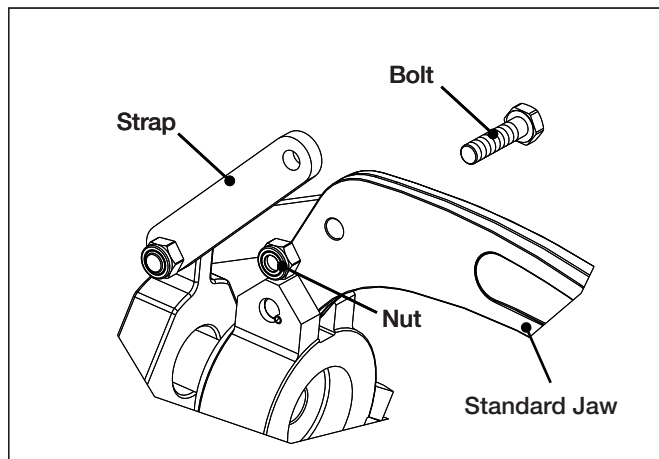


Figure 1, Removing bolt and strap.

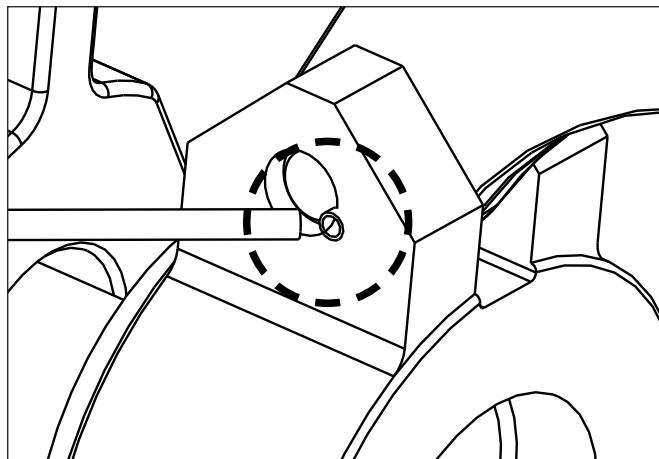


Figure 2, Removing peened area to allow pin removal.

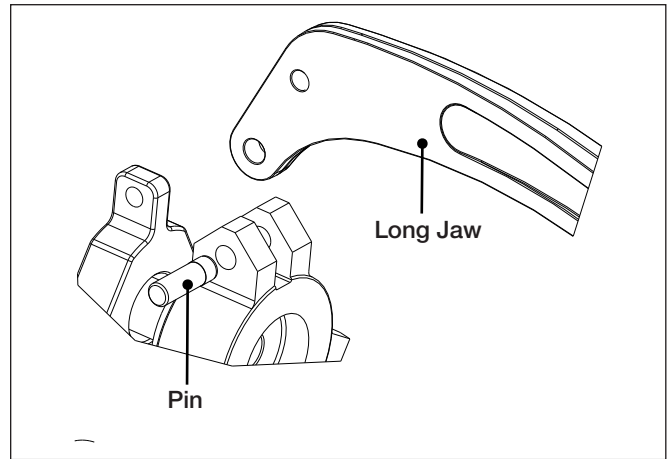


Figure 3, Long jaw installation.

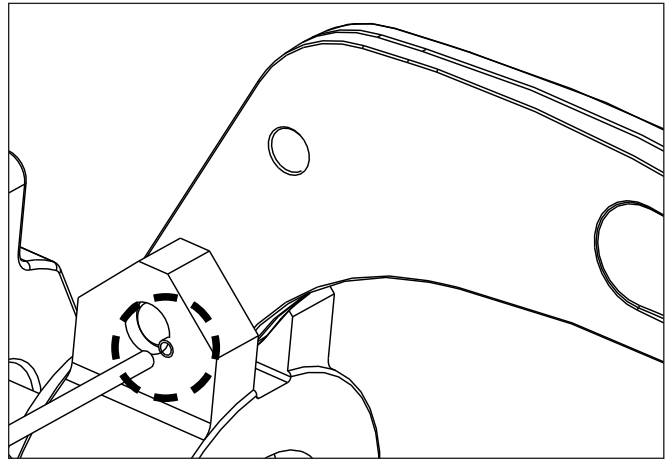


Figure 4, Restoring peened area after installing pin.

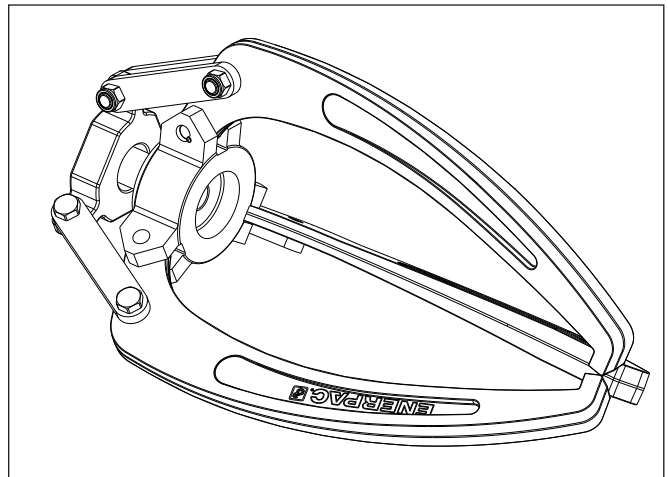


Figure 5, Long jaws installed and straps attached.

2.3 Additional References

1. For additional information on your Lock-Grip Puller refer to the manual that was included with your original shipment.
2. An electronic copy of the puller manual can be downloaded at www.enerpac.com/manuals.