

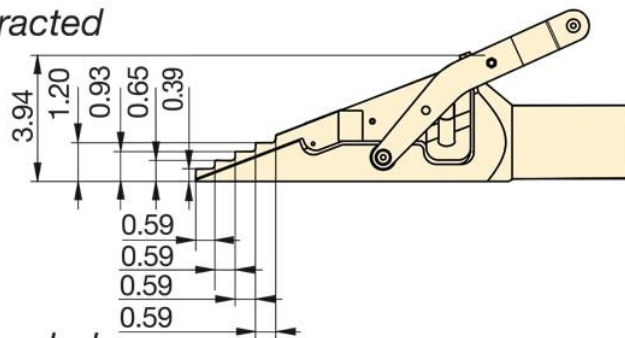
Specifications

Units: **Imperial** Metric

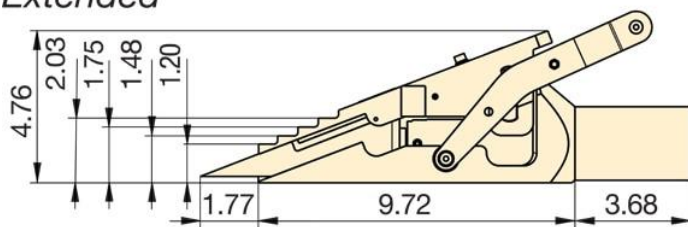
Maximum Operating Pressure (psi)	10,000
Maximum Spread (in)	0.83
Power Source	Hydraulic
Maximum Lifting Force (ton)	16
Maximum Lifting Force (imperial tons)	16
Spreading Force (imperial tons)	16
Capacity (imperial tons)	16
Stroke (in)	0.83
Minimum Clearance Gap (in)	0.39
Maximum Lift Per Stage	21
Maximum Lifting Height (in)	2.02
Maximum Lifting Height Using Stepped Block	2.72
Tip Clearance (in)	0.39
Oil Capacity (in ³)	-
Weight (lbs)	22

Dimensions shown in inches

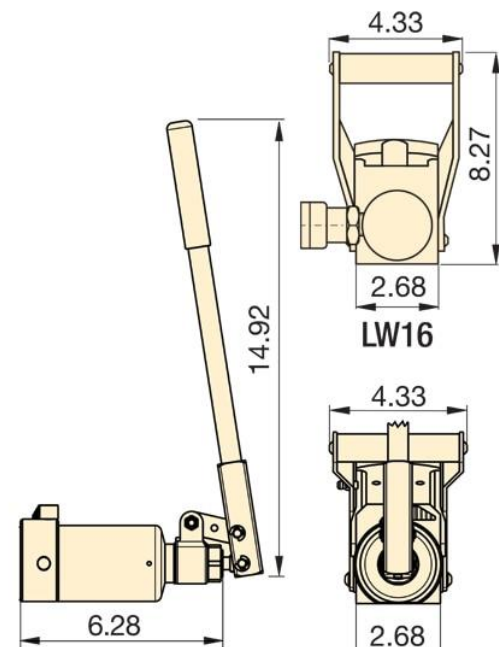
Retracted



Extended



LW16 & LWC16 Wedge



LWC Integrated Pump

LWC16