

▼ Shown from left to right: RSM1000, RSM300, RSM50, RCS1002, RCS302



Maximum Power to Height Ratio



Saddles

All **RCS-Series** cylinders have plunger mounting holes for installation of tilt saddles. See table for selection and dimensional information.

Page: 27



Low Clearance Lifting

The **LW16** Lifting Wedge and **SOH-Series** Machine Lifts are the perfect choices for lifting loads that have low clearance.

Page: 212

RSM-Series, Flat-Jac® Cylinders

- Compact, flat design for use where other cylinders will not fit
- RSM750, 1000 and 1500 have handles for easy carrying
- Mounting holes permit easy fixturing
- Baked enamel finish for increased corrosion resistance
- CR400 coupler and dust cap included on all models¹⁾
- Hard chrome plated high-quality steel plungers
- Grooved plunger ends require no saddle
- Single-acting spring-return

RCS-Series, Low-Height Cylinders

- Lightweight, low profile design for use in confined spaces
- Baked enamel finish for increased corrosion resistance
- Plunger wiper reduces contamination, extending cylinder life
- CR400 coupler and dust cap included on all models
- Grooved plunger end with threaded holes for mounting tilt saddles
- Integral handle on RCS1002 for easy carrying
- Plated steel plungers
- Single-acting spring-return

▼ Only a couple of inches are needed for an RSM-cylinder to lift this large steel construction.



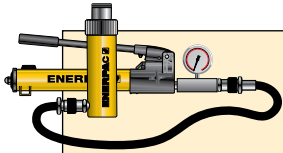
Cylinder Capacity	Stroke	Model Number	Cyl. Effect. Area	Oil Cap.
(tons) [max.]	(in)		(in ²)	(in ³)
5 [4.9]	0.25	RSM50 ¹⁾	0.99	0.25
10 [11.2]	0.44	RSM100	2.24	0.98
20 [22.1]	0.44	RSM200	4.43	1.94
30 [32.4]	0.50	RSM300	6.49	3.25
50 [48.1]	0.63	RSM500	9.62	6.01
75 [79.5]	0.63	RSM750	15.90	9.94
100 [98.1]	0.63	RSM1000	19.63	12.27
150 [153.4]	0.63	RSM1500	30.68	19.17
10 [11.2]	1.50	RCS101*	2.24	3.35
20 [22.1]	1.75	RCS201*	4.43	7.75
30 [32.4]	2.44	RCS302*	6.49	15.82
50 [48.1]	2.38	RCS502*	9.62	22.85
100 [98.1]	2.25	RCS1002*	19.63	44.18

¹⁾ RSM50 is fitted with an AR400 coupler.

* Available as a set. See note on next page.

www.enerpac.com

Single-Acting, Low-Height Cylinders



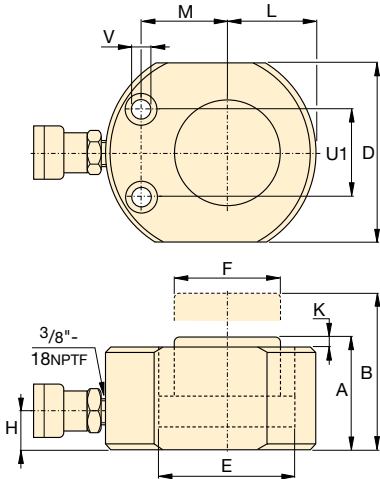
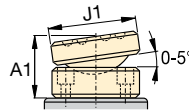
Pump and Cylinder Sets

All cylinders marked with an ** are available as sets (cylinder, gauge, couplers, hose and pump) for your ordering convenience.

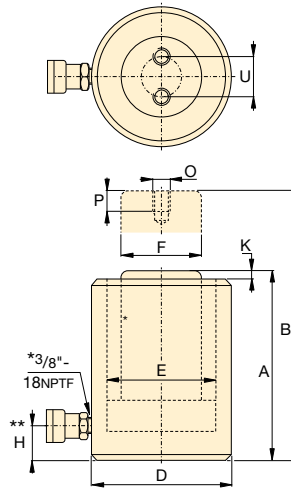
Page: 62

Optional Tilt Saddle Dimensions (in)

For Cylinder Model /Capacity (ton)	Tilt Saddle Model Number	Tilt Saddle Diameter J1	Addition to Collapsed Height A1
RCS101	CATS13	1.38	0.79
RCS201	CATS53	1.97	1.02
RCS302	CATS53	1.97	1.02
RCS502	CATS53	1.97	1.02
RCS1002	CATS103	2.80	1.38



RSM-Series



RCS-Series**

** 5° angle position of coupler on RCS101, 201, 302.

RSM RCS Series



Capacity:

5 - 150 tons

Stroke:

0.25 - 2.44 inches

Maximum Operating Pressure:

10,000 psi



Portable Hydraulic Tool Box

Tool box with hand pump, gauge adaptor assembly, hose and choice of RC, RSM or RCS cylinder.

Page: 65

RSM Cylinder Mounting Hole Dimensions (in)

Model Number	Hole Pitch U1	Hole Diam. V	Counter Bore Diam.	Counter Bore Depth
RSM50	1.12	0.20	0.312	0.17
RSM100	1.44	0.28	0.422	0.31
RSM200	1.94	0.40	0.594	0.39
RSM300	2.06	0.40	0.625	0.44
RSM500	2.62	0.47	0.750	0.50
RSM750	3.00	0.53	0.812	0.56
RSM1000	3.00	0.53	0.812	0.56
RSM1500	4.62	0.53	0.812	0.56

Collapsed Height	Extended Height	Outside Diameter	Cylinder Bore Diameter	Plunger Diameter	Base to Advance Port	Collapsed Height**	Plunger to Base	Plunger to Mtg. Hole	Thread	Thread Depth	Bolt Circle	Weight	Model Number
A (in)	B (in)	D (in)	E (in)	F (in)	H (in)	K (in)	L (in)	M (in)	O (mm)	P (in)	U (in)	(lbs)	
1.28	1.53	2.31 x 1.63	1.13	1.00	0.63	0.04	0.81	0.88	-	-	-	2.3	RSM50 ¹⁾
1.69	2.13	3.25 x 2.19	1.69	1.50	0.75	0.04	1.09	1.34	-	-	-	3.1	RSM100
2.03	2.47	4.00 x 3.00	2.38	2.00	0.75	0.04	1.56	1.56	-	-	-	6.8	RSM200
2.31	2.81	4.63 x 3.75	2.88	2.50	0.75	0.08	1.88	1.75	-	-	-	10	RSM300
2.63	3.25	5.50 x 4.50	3.50	2.75	0.75	0.08	2.25	2.13	-	-	-	15	RSM500
3.13	3.75	6.50 x 5.50	4.50	3.25	0.75	0.08	2.75	2.63	-	-	-	25	RSM750
3.38	4.00	7.00 x 6.00	5.00	3.63	0.75	0.08	3.00	2.94	-	-	-	32	RSM1000
3.94	4.56	8.50 x 7.50	6.25	4.50	0.94	0.08	3.75	3.25	-	-	-	58	RSM1500
3.47	4.97	2.75	1.69	1.50	0.69	0.20	-	-	M4	0.32	1.03	6	RCS101*
3.88	5.63	3.63	2.38	2.00	0.69	0.12	-	-	M5	0.32	1.57	11	RCS201*
4.63	7.06	4.00	2.88	2.62	0.75	0.12	-	-	M5	0.32	1.57	15	RCS302*
4.81	7.19	4.88	3.50	2.75	0.94	0.08	-	-	M5	0.32	1.57	22	RCS502*
5.56	7.81	6.50	5.00	3.63	1.25	0.04	-	-	M8	0.40	2.17	46	RCS1002*

** Collapsed height with tilting saddle