



POWERFUL SOLUTIONS. GLOBAL FORCE.

## Repair Parts Sheet

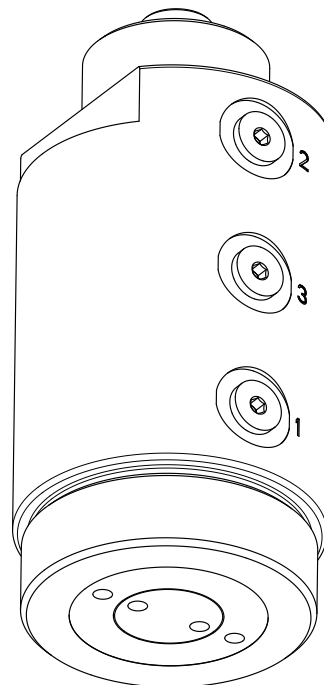
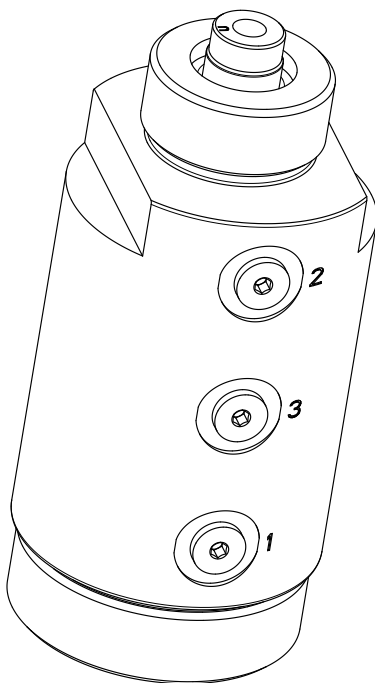
MPTC110V, MPTC210V,  
WPTC110V, WPTC210V  
Collet-Lok® Push Cylinders

Document Number	Document Revision	Document Revision Date	Product Date Code Beginning With
L4099	A	07/2017	A



To ensure optimum performance of your Enerpac product:

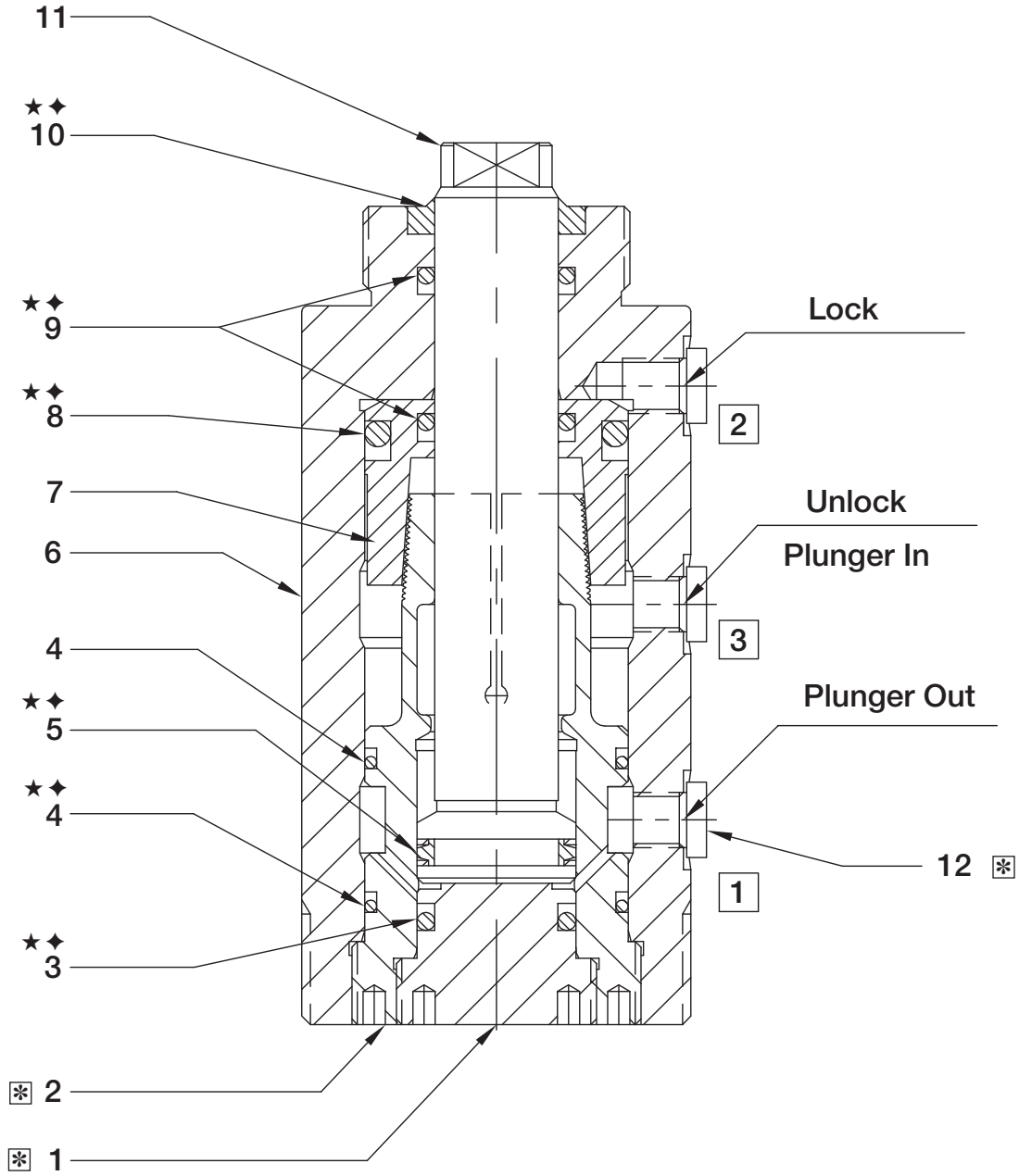
- Use only Enerpac Oil.
- Install all new parts included in each repair kit.
- See your Enerpac Authorized Service Center for factory-authorized product service.



**⚠ WARNING** Be certain that system hydraulic pressure is completely relieved (0 psi/bar) before performing any adjustments, maintenance or repairs.

FIGURE 1 - Sectional View

✱ See  on last page.



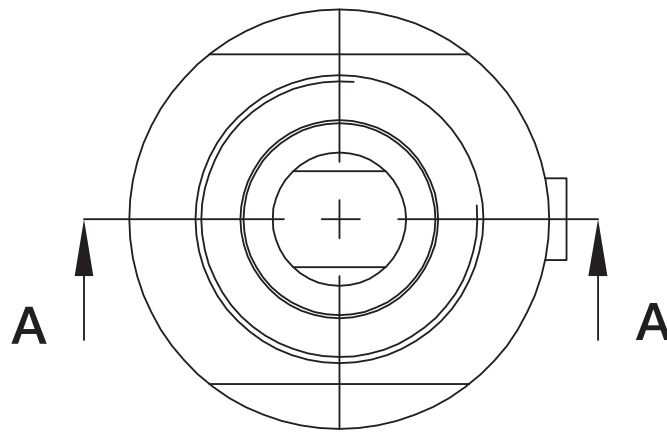
Repair Parts List for Figure 1

L4099

Item	Model Number/Part Number		Qty.	Description
	MPTC110V WPTC110V	MPTC210V WPTC210V		
1	CS251044	CS268044	1	Stop Ring
2	CS249047	CS271047	1	Wedge
3	★ B1207203	◆ B1212203	1	O-Ring
4	★ B1125203	◆ B1131203	2	O-Ring
5	★ MPTC110E004041	◆ B1212515	1	T-Seal
6A	CS247030	CS272030	1	Base (Metric)
6B	CS517030	CS520030	1	Base (Imperial)
7	CS250108	CS269108	1	Wedge Ring
8	★ B1218203	◆ B1325203	1	O-Ring
9	★ B1114203	◆ B1212203	2	O-Ring
10	★ CY474041	◆ SPR95067003	1	Wiper
11A	CY561040	CY562040	1	Plunger (Metric)
11B	CV484040	CV486040	1	Plunger (Imperial)
12A	F100006	F100006	3	Plug (Metric)
12B	B1001006V	B1001006V	3	Plug (Imperial)

★ Included in repair kit MPFC110KV.    ◆ Included in repair kit MPFC210KV.

FIGURE 2 - Bottom View





*Service Information			L4099
Fig.	Item	Models	Torque
1	1	Ending in 110V	30,0 Nm [22 ft-lbs.]
1	1	Ending in 210V	40,0 Nm [30 ft-lbs.]
1	2	Ending in 110V	40,0 Nm [30 ft-lbs.]
1	2	Ending in 210V	60,0 Nm [44 ft-lbs.]
1	12	Ending in B1001006V	8,0 Nm [6 ft-lbs.]
1	12	Ending in F100006	15,0 Nm [11 ft-lbs.]



Visit [www.enerpac.com](http://www.enerpac.com) for the location of the Enerpac Authorized Service Center nearest you.