



POWERFUL SOLUTIONS. GLOBAL FORCE.

Repair Parts Sheet

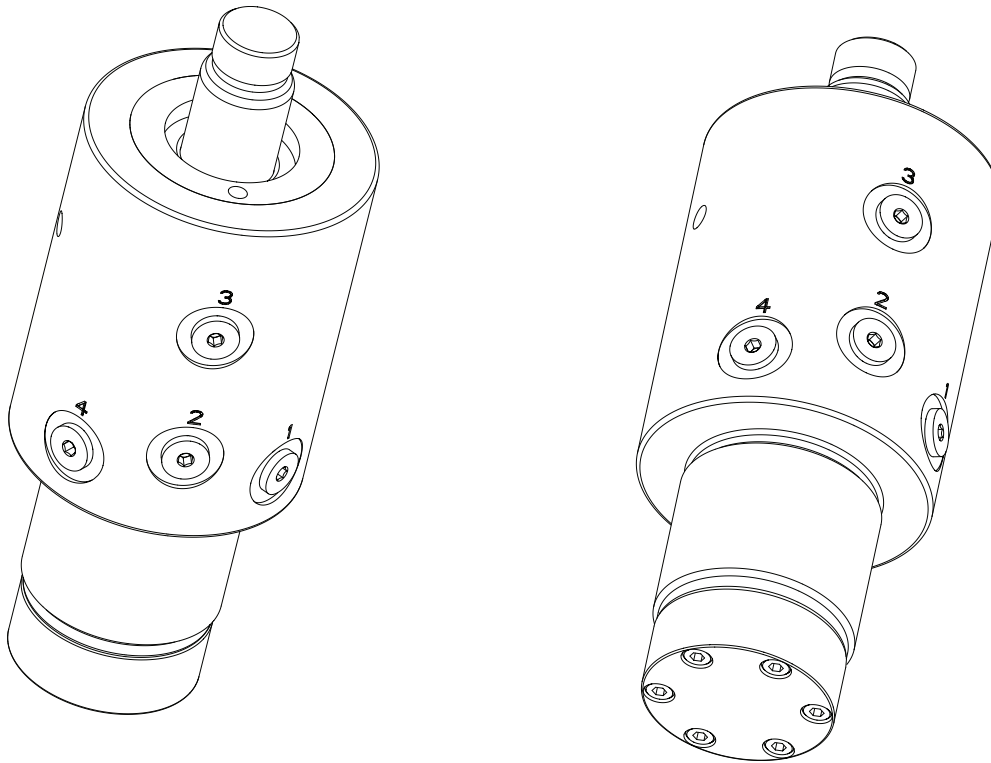
MPTL/N/R-100V, WPTL/N/R-300
MPTL/N/R-100V, WPTL/N/R-300
Collet-Lok® Swing Cylinders

Document Number	Document Revision	Document Revision Date	Product Date Code Beginning With
L4095	A	07/2017	A



To ensure optimum performance of your Enerpac product:

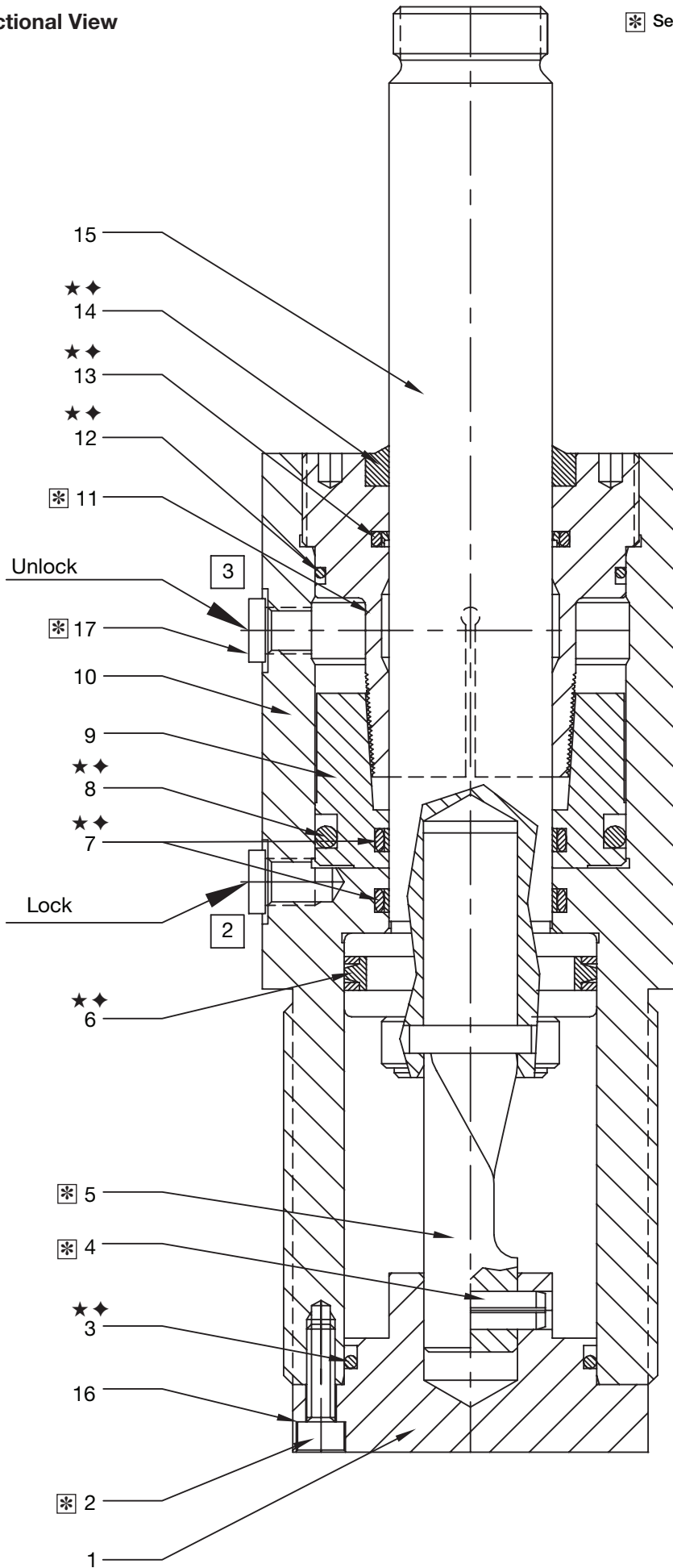
- Use only Enerpac Oil.
- Install all new parts included in each repair kit.
- See your Enerpac Authorized Service Center for factory-authorized product service.



⚠ WARNING Be certain that system hydraulic pressure is completely relieved (0 psi/bar) before performing any adjustments, maintenance or repairs.

FIGURE 1 - Sectional View

* See  on last page.



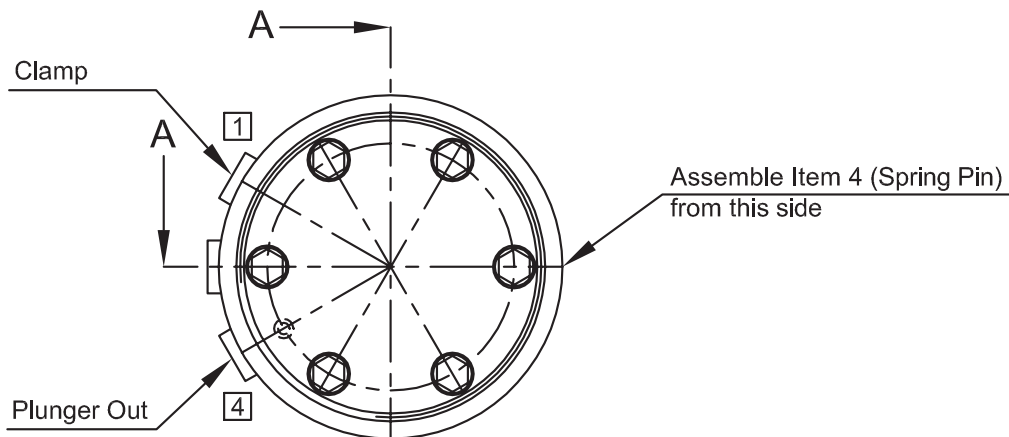
Repair Parts List for Figure 1

L4095

Item	Model Number / Part Number		Qty.	Description
	MPTL-100V MPTN-100V MPTR-100V WPTL-100V WPTN-100V WPTR-100V	MPTL-300V MPTN-300V MPTR-300V WPTL-300V WPTN-300V WPTR-300V		
1	CS208101	BSS3898D	1	End Plate
2	CCA423028-1A	CCA621028-1A	6	SHC Screw
3	★ B1120903	◆ B1225903	1	O-Ring
4	CCA421057-1A	CCA831057-1A	1	Spring Pin
5A	BSS3002D	BSS3901D	1	Index Rod (L- Left-Hand Rotation)
5B	DW1454149	DW1455149	1	Index Rod (N - Non Rotational)
5C	BSS2989D	BSS3902D	1	Index Rod (R- Right-Hand Rotation)
6	★ B1213513	◆ B1327512	1	Seal
7	★ CS253041	◆ CS267041	2	Double Delta Seal
8	★ B1222803	◆ B1331203	1	O-Ring
9	CS243108	CS264108	1	Wedge Ring
10A	CS516900	CY752030	1	Base (Imperial)
10B	CS242900	CY751030	1	Base (Metric)
11	CS244047	CS263047	1	Wedge
12	★ B1129903	◆ B1143203	1	O-Ring
13	★ CS343041	◆ CS344041	1	Stepseal
14	★ BSS2995D	◆ CM858044	1	Wiper
15A	CV753900	CV760900	1	Plunger (Metric)
15B	CV491900	CV960900	1	Plunger (Imperial)
16	(not used)	CCE1006108-5C	6	Spring Washer
17A	F100006	F100006	4	Plug (Metric)
17B	B1001006V	B1001006V	4	Plug (Imperial)

★ Included in repair kit MPFL100KV. ◆ Included in repair kit MPFL300KV.

FIGURE 2 - Bottom View





*Service Information			L4095
Fig.	Item	Models	Torque
1	2	Ending in 100V	40,0 Nm [30,0 ft-lbs.]
1	2	Ending in 300V	80,0 Nm [59,0 ft-lbs.]
1	5	(all models)	Assemble item 5 (index rod) with flat side opposite oil inlets 2 and 3.
1	11	Ending in 100V	60,0 Nm [44 ft-lbs.]
1	11	Ending in 300V	100,0 Nm [74,0 ft-lbs.]
1	17	Ending in B1001006V	8,0 Nm [6 ft-lbs.]
1	17	Ending in F100006	15,0 Nm [11 ft-lbs.]



Visit www.enerpac.com for the location of the Enerpac Authorized Service Center nearest you.