



www.tksimplex.com

Instruction Sheet Model NS Series Nut Splitters

Part Sheet Number	Revision Number	Date Code Range	Document Date
TD159	A	All Date Codes	0615

Important Receiving Instructions

Visually inspect all components for shipping damage. If any shipping damage is found, notify carrier at once. Shipping damage is NOT covered by warranty. The carrier is responsible for all repair or replacement costs resulting from damage in shipment.

CAUTION:

Simplex nut splitters are designed specifically for metal nuts which match sizes shown in the specifications chart (maximum allowable hardness of nuts to be split is HRc44). For materials and sizes not specified, contact Simplex Technical Services.

WARNING: To prevent personal injury, always wear eye protection whenever operating hydraulic nut splitter.

WARNING: To avoid injuries and possible damage to the nut splitter, do not use the nut splitter on glass, plastic or any other material which would shatter.

WARNING: To prevent personal injury, do not place fingers on or near the cutting area while nut splitter is operating.

CAUTION: To avoid personal injury and damage to the nut splitter parts :

- * Do not cut chain. Do not cut bolts .
- * Do not use nut splitter to rotate nuts.
- * Do not move nut splitter during cutting operation.
- * Do not heat up nuts while nut splitter is in position.

Operation / Installation

Connect the nut splitter coupler to the hose coupler and pump. Firmly tighten couplers by hand to prevent restricted oil flow.

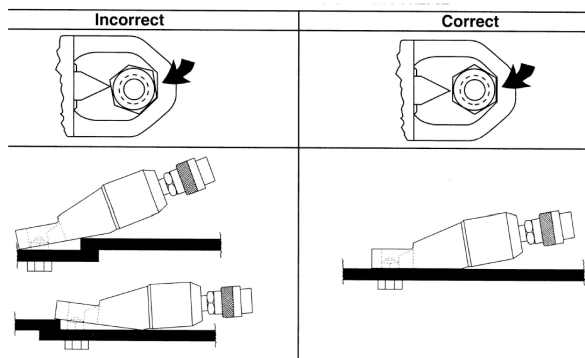
Close the pump release valve. To remove air trapped in the hydraulic system operate the pump. With cutter head pointing down, advance and retract the cutter blade several times.

Place the nut splitter over the nut. The flat surface of the nut splitter must rest against one of the nut flats .

CAUTION:

Improper placement of the nut splitter on the nut may cause the head to fail.

NOTE: Apply a suitable cutting fluid to stainless steel and hardened steel nuts before splitting to reduce cutter blade wear and breakage.



To Maintain Your Warranty

Have your products inspected and repaired by an Authorized Simplex Service Center

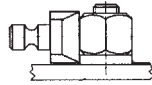
Visit www.tksimplex.com to locate the nearest one or call 1-800-323-9114 US or outside US 1-630-590-6990



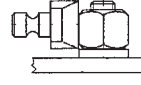
www.tksimplex.com

Instruction Sheet Model NS Series Nut Splitters

CAUTION: The cutting blade must not cut a hardened washer or spring washer.



Wrong



Right

WARNING: Improper position of the nut splitter on the nut may cause damage to the cutting blade. Make sure it is well positioned.

Holding the nut splitter in position, operate pump until cutting blade cuts through the nut. Avoid damage to the bolt thread by stopping the pump as soon as the nut splits. Stop pump by opening the release valve to retract the cutting blade. Remove the nut splitter. If you cannot remove the nut after one cut, reposition the nut splitter to the side opposite the split (180 degree from the first cut).

MAINTENANCE

WARNING: Nut splitter is spring loaded.

To avoid personal injury, be careful when disassembling. Do not remove the spring.

Hydraulic nut splitters, require periodic maintenance. Disassemble the product, clean and lubricate all parts, reassemble. Simplex offers ready-to-use spare part kits for repairs and replacements.

NOTE: The pre-tensioned spring is kept in position by the key in the plunger. To replace this spring, special tooling is needed. In this case the nut splitter must be returned to Simplex. The spring is not available as a spare part.

Under Water Use:

When nut splitter is used under water or in severe conditions, disassemble, clean and lubricate all parts immediately. Repaint, if necessary. If frequently used under water, repaint the nut splitter with light colored corrosion resistant paint.

Splitter Blade Removal / Replacement

Sharp cutting blades will prolong the life of your nut splitter. Replace damaged cutting blades. Blades can be re-sharpened by grinding, but avoid removing more than 1/16" of material. Nicks can be removed by a grinding stone.

CAUTION: Do not change the cutting angle.



www.tksimplex.com

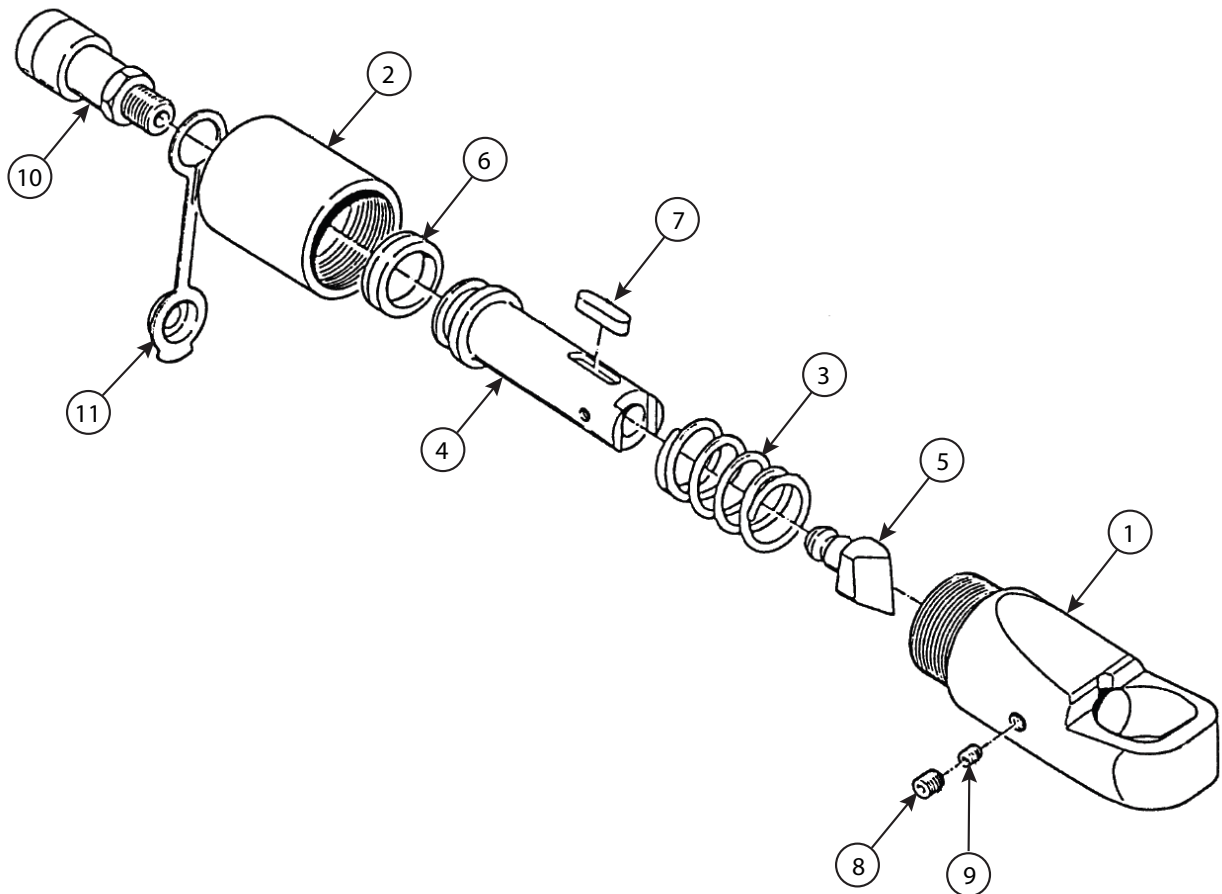
Instruction Sheet Model NS Series Nut Splitters

To replace the cutting blade: see part sheet illustration.

NOTE : To remove the cutting blade you do not need to disassemble the nut splitter. Just follow step below.

1. Open the pump release valve to remove hydraulic pressure. Cutting blade to be fully extended.
2. Disconnect the nut splitter from the hose.
3. Remove set screw (#8).
4. Remove set screw (#9).
5. Pull out cutting blade (#5).
6. Inspect the blade edge and shaft for cracks, nicks and overall sharpness .
7. Re-sharpen or replace cutting blade.
8. Lubricate the cutting blade and insert the blade into the cutting body with the cutting angle sloping away from the body.
9. Install set screw (#9) and tighten. Insert set screw (#8) and tighten.
10. Connect the nut splitter and hose. Check nut splitter operation by advancing and retracting the blade several times .
11. Check pump fluid level. Add Simplex hydraulic oil as required.

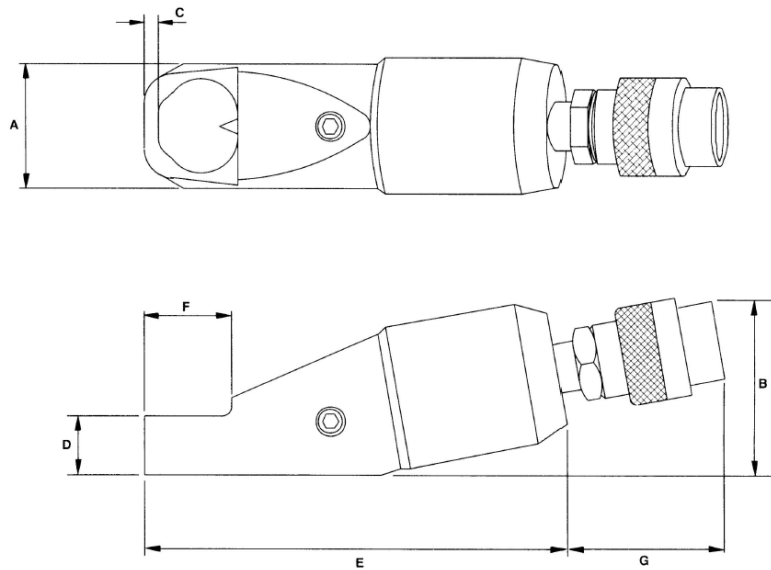
NOTE: We recommend keeping spare cutting blades on hand.





www.tksimplex.com

Instruction Sheet Model NS Series Nut Splitters



Model #	Bolt Range (in)	Nut Range (in)	Cap (tons)	Weight (lbs)	A (in)	B (in)	C (in)	D (in)	E (in)	F (in)	G (in)
NS1319	5/16 - 1/2	1/2 - 3/4	5	2.6	1.57	1.89	.24	.75	4.69	1.10	3.90
NS1924	1/2 - 5/8	3/4 - 15/16	10	4.4	2.17	2.80	.32	.98	6.02	1.50	2.36
NS2432	5/8 - 7/8	15/16 - 1 1/8	15	6.6	2.60	2.99	.39	1.22	6.81	1.93	2.36
NS3241	7/8 - 1 1/8	1 1/8 - 1 9/16	20	9.7	2.95	3.50	.59	1.38	8.39	2.60	2.36
NS4150	1 1/8 - 1 - 3/8	1 9/16 - 2	35	18.1	3.78	4.29	.71	1.77	9.61	2.87	2.36
NS5060	1 3/8 - 1 1/2	2 - 2 1/4	50	26	4.17	4.96	.71	2.13	11.73	3.46	2.36
NS6075	1 1/2 - 1 7/8	2 3/8 - 2 7/8	56	75.1	6.14	7.13	.79	2.84	13.78	4.33	2.36

To Maintain Your Warranty

Have your products inspected and repaired by an Authorized Simplex Service Center

Visit www.tksimplex.com to locate the nearest one or call 1-800-323-9114 US or outside US 1-630-590-6990