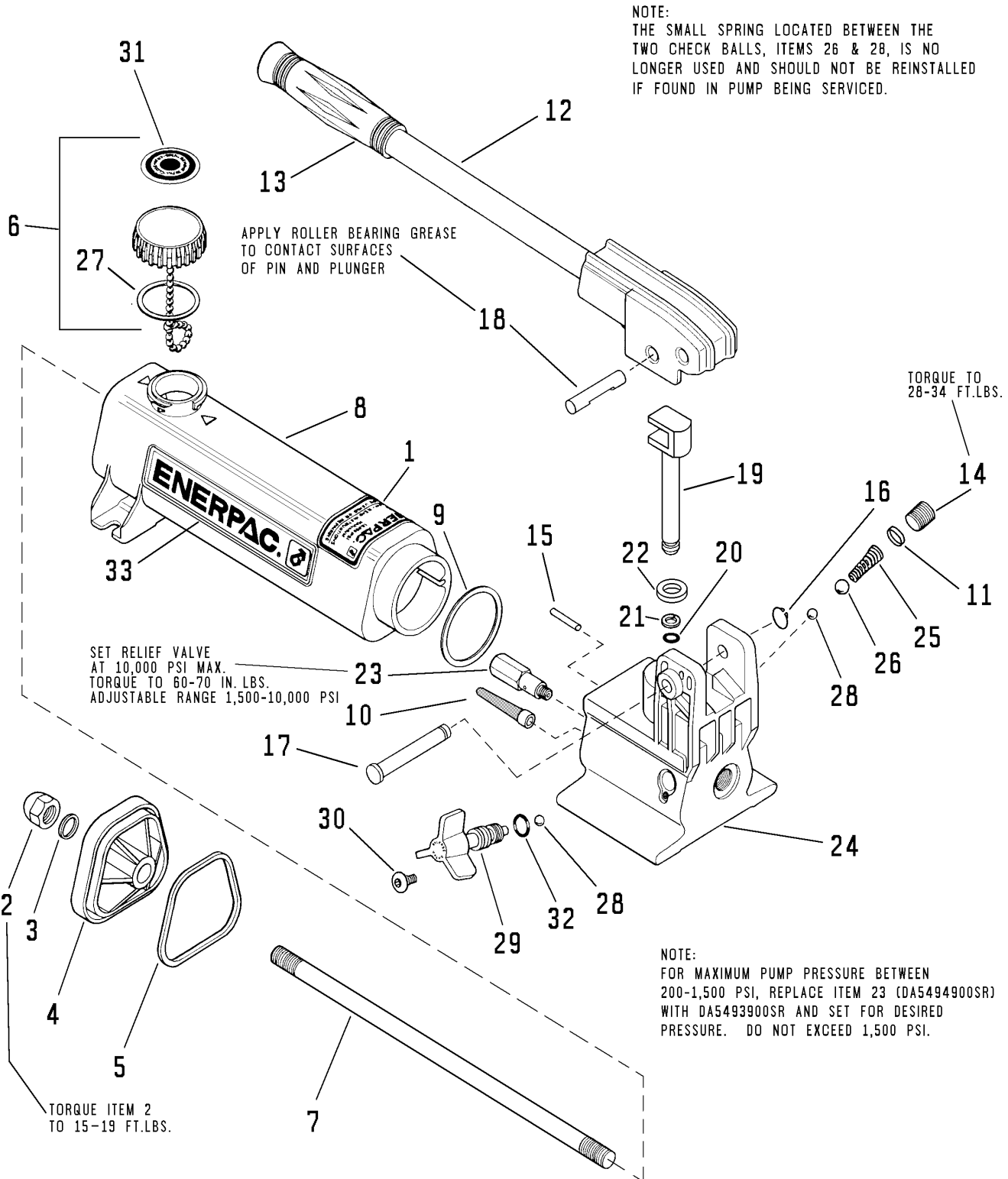


L1192
Rev. D
04/98
PC3035

This sheet is for Models having Date Codes beginning with "A"



FOR OPTIMUM PUMP PERFORMANCE, INSTALL ALL KIT COMPONENTS.



NOTE:
 THE SMALL SPRING LOCATED BETWEEN THE
 TWO CHECK BALLS, ITEMS 26 & 28, IS NO
 LONGER USED AND SHOULD NOT BE REINSTALLED
 IF FOUND IN PUMP BEING SERVICED.

APPLY ROLLER BEARING GREASE
 TO CONTACT SURFACES
 OF PIN AND PLUNGER

TORQUE TO
 28-34 FT.LBS.

SET RELIEF VALVE
 AT 10,000 PSI MAX.
 TORQUE TO 60-70 IN. LBS.
 ADJUSTABLE RANGE 1,500-10,000 PSI

TORQUE ITEM 2
 TO 15-19 FT.LBS.

NOTE:
 FOR MAXIMUM PUMP PRESSURE BETWEEN
 200-1,500 PSI, REPLACE ITEM 23 (DA5494900SR)
 WITH DA5493900SR AND SET FOR DESIRED
 PRESSURE. DO NOT EXCEED 1,500 PSI.

Repair Parts List

Item No.	Part Number	Quantity	Description
1	DA5255026	1	Decal
2	CL341055	1	Acorn Nut
3	◆CU293167	1	Gasket
4	CN402020	1	End Cap
5	◆B1276503	1	O-Ring
6	CN766950SR	1	Vent Cap Assembly (Includes #27 & 31)
7	CL280149	1	Tie Rod
8	CN782025	1	Reservoir (yellow)
	DA3886025	1	Reservoir (red)
9	◆B1131517	1	Square Ring Seal
10	◆CB981018	1	Filter
11	◆DA3702020	1	Spring Cap
12	CL915900SR	1	Beam and Handle Assembly
13	CL342550	1	Handle Grip
14	CN815006	1	Pipe Plug
15	◆B1036057	1	Spring Pin
16	◆DA1178349	1	Retaining Ring
17	◆CR215061	1	Beam Pin
18	P20857	1	Cross Pin
19	CN413040	1	Plunger
20	◆B1010803	1	O-Ring
21	◆B1010564	1	Back-Up Washer
22	◆CR482041	1	Oil Seal
23	DA5494900SR	1	Relief Valve (10,000-10,500 PSI)
24	DA652005	1	Pump Base
25	◆DA1176210	1	Spring
26	◆B1009016	1	5/16" Ball
27	◆CU724167	1	Vent Cap Gasket
28	◆B1006016	2	7/32" Ball
29	CL913900	1	Spindle Assembly
30	◆CU921028	1	Truss Head Machine Screw
31	CN780026	1	Fill Decal
32	◆B1007503	1	O-Ring
33	CN767026	2	Enerpac Decal
	DC1797026	2	Enerpac Decal (model 1001)

◆ Indicates Items included in and available only as part of Repair Kit P141K1.

For viton seals order Repair Kit P142KV1 in place of standard kit P141K1.

NOTE: Kit contains 2 sets of seals; be sure to replace with identical seal as

Australia

ENERPAC
Applied Power Australia, Ltd.
P.O. Box 261 Regents Park
Sydney, N.S.W. 2143
Tel: (61) (2) 9743 8988
Fax: (61) (2) 9743 8648

CIS

Applied Power Moscow
Leninsky Prospekt 95A
117313 Moscow, Russia
Tel: (7)(95) 956 5090
Fax: (7)(95) 936 2006

**France, Switzerland,
Turkey, Greece, Africa,
Middle East**

ENERPAC S.A.
B.P.200, Parc d'Activitiés
du Moulin de Massy
1 rue du Saule Trapu,
F-91882 Massy CEDEX
(Paris) France
Tel: (33) 1 60 13 68 68
Fax: (33) 1 69 20 37 50

**Germany, Scandinavia,
Eastern Europe, Austria,
Switzerland**

ENERPAC
Applied Power GmbH
P.O. Box 30 01 13
Mündelheimer Weg 51
40472 Düsseldorf 30
Germany
Tel: (49) (211) 47 14 90
Fax: (49) (211) 4714 940

**Holland, Belgium,
and Luxemburg**

ENERPAC B.V.
P.O. Box 269, Storkstraat 25
3900AG Veenendaal
Holland
Tel: (31) (318) 535911
Fax: (31) (318) 525613

Hong Kong

ENERPAC
Applied Power Asia PTE LTD. 10-17 Sasame Kita-cho
Room No. 907, Workingberg
Commercial Building
41-47 Marble Road,
North Point
Tel: (852) 2561-6285
Fax: (852) 2561-6772

India

ENERPAC
Hydraulics (India) Pvt Ltd.
203 Vardhaman Chambers
Plot #84, Sector 17
Vashi, New Bombay 400 705
Maharashtra, India
Tel: 91-22-7632061
Fax: 91-22-7670309

Italy

ENERPAC
Applied Power Italiana S.p.A.
Via Canova, 4
20094 Corsico (Milano)
Italy
Tel: 39 2 45 82 741
Fax: 39 2 48 60 12 88

Japan

Applied Power Japan LTD
Toda-City
Saitama 335,
Japan
Tel: 81 048 422 2251
Telex: J26275
Fax: 81 048 422 0596

Mexico

ENERPAC
Applied Power Mexico
Av. Principal La Paz #100
Fracc. Industrial La Paz
42092 Pachuca, Hidalgo, Mexico
Tel: (52) 771 33700
Fax: (52) 771 83800

Singapore

Applied Power Asia PTE LTD.
47 Jalan Pemimpin #01-02 &
#01-03 Sin Cheong Building
Singapore 577200
Tel: (65) 258 1677
Fax: (65) 258 2847

South Korea

ENERPAC
Applied Power Korea Ltd.
163-12, Dodang-Dong
Wonmi-ku, Buchun-Shi,
Kyunggi-Do
Republic of Korea
Tel: (82) (32) 675 0836
Fax: (82) (32) 675 3002

Spain, Portugal

ENERPAC
Applied Power International, S.A.
Calle de la Imprenta, 7
Polígono Industrial
28100 Acobendas (Madrid)
Spain
Tel: (34) 1 661 11 25
Fax: (34) 1 661 47 89

United Kingdom, Ireland

ENERPAC Ltd. Unit 3
Colemeadow Road
North Moons Moat
Redditch, Worcester B98 9BP
England
Tel: 44 01527 598 900
Fax: 44 01527 585 500

**United States, Canada,
Latin America and
Caribbean**

ENERPAC
13000 West Silver Spring Drive
Butler, Wisconsin 53007, USA
Tel: (414) 781-6600
1-800-433-2766 (End User)
1-800-558-0530 (Distributor)
Fax: (414) 781-1049

Canada

Tel: 1-800-426-4129 (End User)
Tel: 1-800-426-2284 (Distributor)

Latin America and Caribbean

Tel: (414) 781-6600 ext. 263
Fax: (414) 781-5561



All Enerpac products are guaranteed against defects in workmanship and materials for as long as you own them. Under this guarantee, free repair or replacement will be made to your satisfaction.

For prompt service, contact your Authorized Enerpac Service Center or call toll free:

In U.S.A. 1-800-558-0530

In Canada 1-800-426-2284

PRINTED IN U.S.A.