

## Specifications

---

Units:  Imperial  Metric

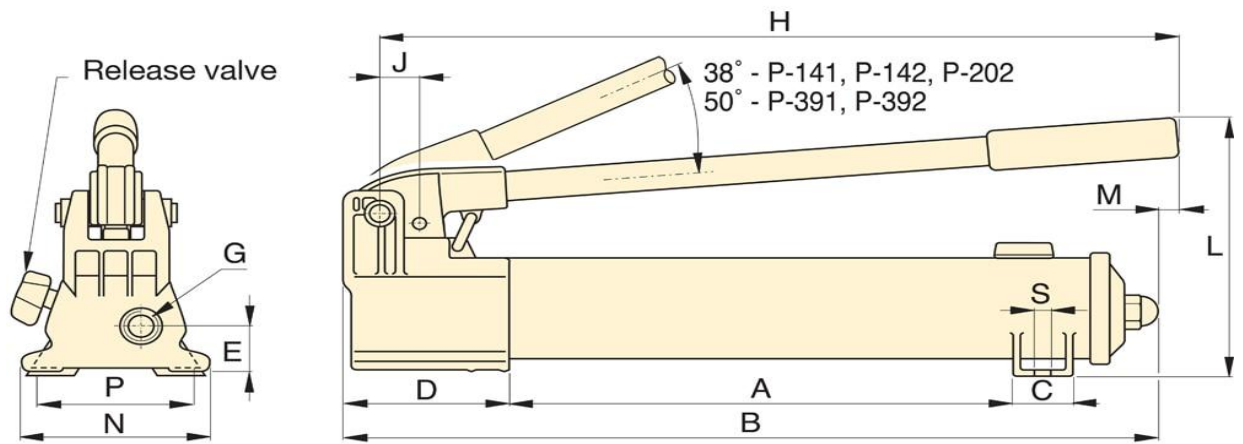
Maximum Operating Pressure (psi)	10,000
Pressure Rating (psi) 1st Stage	200
Pressure Rating (psi) 2nd Stage	10,000
Cylinder Compatability	Single-acting
Pump Type	Two Speed
Reservoir Capacity (in <sup>3</sup> )	20
Usable Oil Capacity (in <sup>3</sup> )	20
Maximum Flow at Rated Pressure	.055 in <sup>3</sup> /stroke
Oil Displacement per Stroke (in <sup>3</sup> ) 1st Stage	0.221
Oil Displacement per Stroke (in <sup>3</sup> ) 2nd Stage	0.055
Maximum Handle Effort (lbs)	78
Piston Stroke (in)	0.5
Valve Operation	Manual
Power Source	Manual
Weight (lbs)	5.3

## Dimensions

---

Units:  Imperial  Metric

Dimension A (in)	7.31
Dimension B (in)	13.25
Dimension C (in)	1.13
Dimension D (in)	3.37
Dimension E (in)	1.13
Dimension G (in)	1/4" - 18 NPTF
Dimension H (in)	12.56
Dimension J (in)	0.75
Dimension L (in)	5.63
Dimension N (in)	3.75
Dimension P (in)	3.25
Dimension S (in)	0.28



**P-141, P-142, P-202, P-391, P-392**