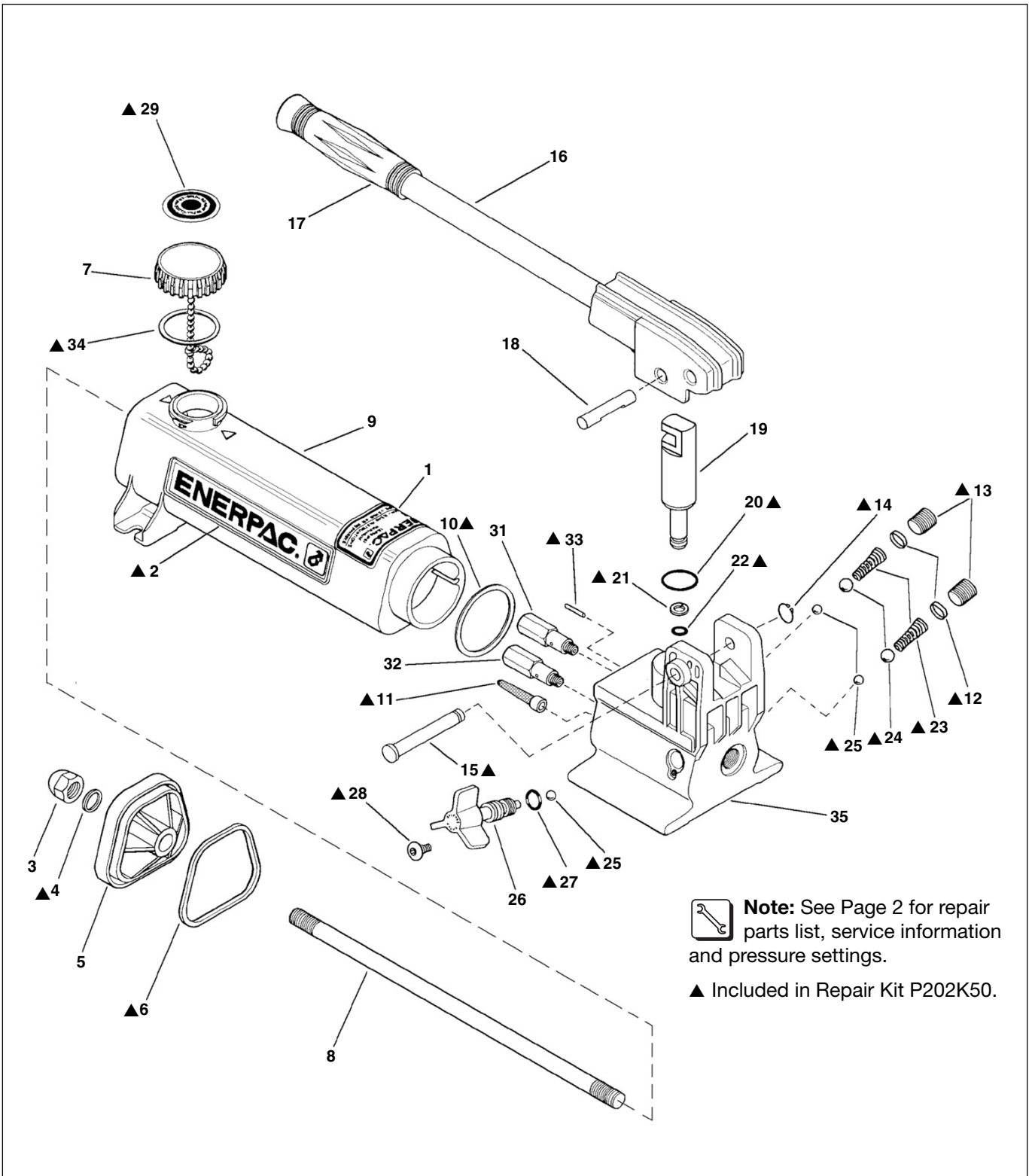


Repair Parts Sheet	Revision	Revision Date	Product Code Beginning
L2856	Rev. A	02/2011	C



**Repair Parts List**  
(refer to exploded view on page 1 for item locations)

**L2856**

Item	Part Number	Qty.	Description	Item	Part Number	Qty.	Description
1	(not sold for service)	1	Model No. Decal	20	▲	1	O-Ring
2	▲	2	Enerpac Decal	21	▲	1	Back-Up Washer
3	CL341055	1	Acorn Nut	22	▲	1	O-Ring
4	▲	1	Gasket	23	▲	2	Spring
5	CN814020	1	End Cap	24	▲	2	5/16" Ball
6	▲	1	O-Ring	25	▲	3	7/32" Ball
7	CN766950SR	1	Vent Cap Assembly (includes items 29 & 34)	26	CL913900SR	1	Spindle Assembly (includes items 25, 27 and 28)
8	CR155149	1	Tie Rod	27	▲	1	O-Ring
9	CR159025	1	Reservoir	28	▲	1	Truss Hd Mach Screw.
10	▲	1	Square Ring Seal	29	▲	1	Fill Decal
11	▲	1	Filter	30	▲	1	Back-Up Washer (not shown)
12	▲	2	Spring Cap	31	DA5493900SR	1	By-Pass Valve
13	▲	2	Pipe Plug	32	DA8802900SR	1	Safety Relief Valve
14	▲	1	Retaining Ring	33	▲	1	Spring Pin
15	▲	1	Beam Pin	34	▲	1	Vent Cap Gasket
16	CR160900	1	Beam and Handle Assy.	35	(not sold for service)	1	Pump Base
17	CL342550	1	Handle Grip	36	▲	2	Gasket, Copper (not shown)
18	P20857	1	Cross Pin				
19	CN412040SR	1	Plunger Assembly (includes items 20, 21, 22 and 30)				

▲ Indicated items are available only as part of repair kit P202K50.



**Service Information**

Item	Torque / notes
3	20.3 Nm, 15 Ft - Lbs
13	38 - 46 Nm, 28 - 34 Ft - Lbs
18	Apply roller bearing grease to the contact surfaces of pin and plunger.
31	13.5 - 16.2 Nm, 10 - 12 Ft - Lbs
32	13.5 - 16.2 Nm, 10 - 12 Ft - Lbs

**Note:** See Page 1 for exploded parts view.

**Pressure Settings**

Item	Setting
31	17.2 - 19.0 Bar, 250 - 275 Psi (By-Pass Valve)
32	690 - 724 Bar, 10,000 - 10,500 Psi (Safety Relief Valve)



**To maintain your warranty:**

- Use only Enerpac Oil
- Have your products inspected and repaired by an Enerpac Authorized Service Center



Visit [www.enerpac.com](http://www.enerpac.com) for the location of the Enerpac Authorized Service Center nearest you.