

Specifications

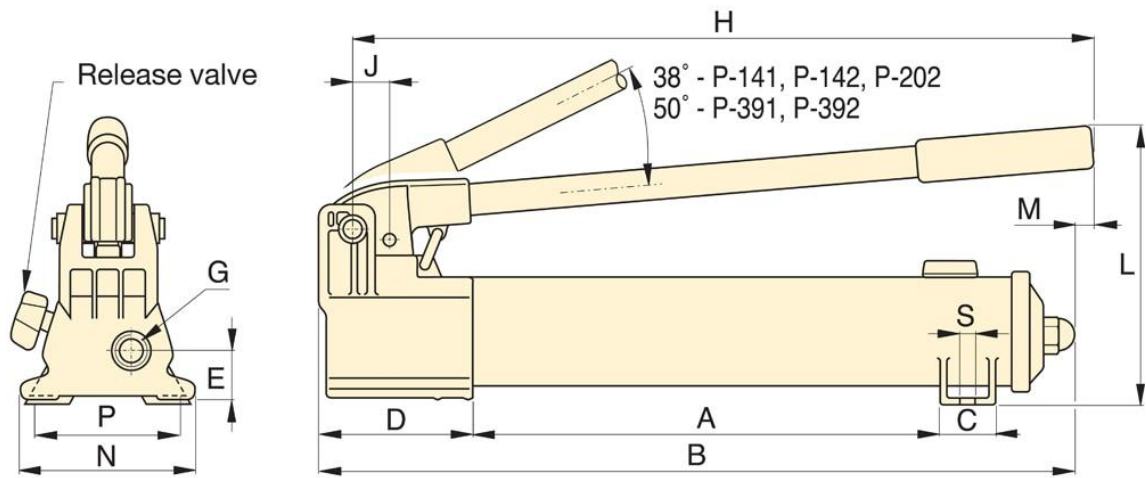
Units: Imperial Metric

Maximum Operating Pressure (psi)	10,000
Pressure Rating (psi) 1st Stage	200
Pressure Rating (psi) 2nd Stage	10,000
Cylinder Compatability	Single-acting
Pump Type	Two Speed
Reservoir Capacity (in ³)	55
Usable Oil Capacity (in ³)	55
Maximum Flow at Rated Pressure	.151 in ³ /stroke
Oil Displacement per Stroke (in ³) 1st Stage	0.221
Oil Displacement per Stroke (in ³) 2nd Stage	0.055
Maximum Handle Effort (lbs)	63
Piston Stroke (in)	0.5
Valve Operation	Manual
Power Source	Manual
Weight (lbs)	7.5

Dimensions

Units: Imperial Metric

Dimension A (in)	13.56
Dimension B (in)	20.06
Dimension C (in)	1.44
Dimension D (in)	3.37
Dimension E (in)	1.13
Dimension G (in)	1/4" - 18 NPTF
Dimension H (in)	15.75
Dimension J (in)	0.75
Dimension L (in)	5.69
Dimension M (in)	0.63
Dimension N (in)	3.75



P-141, P-142, P-202, P-391, P-392