



Repair Parts Sheet

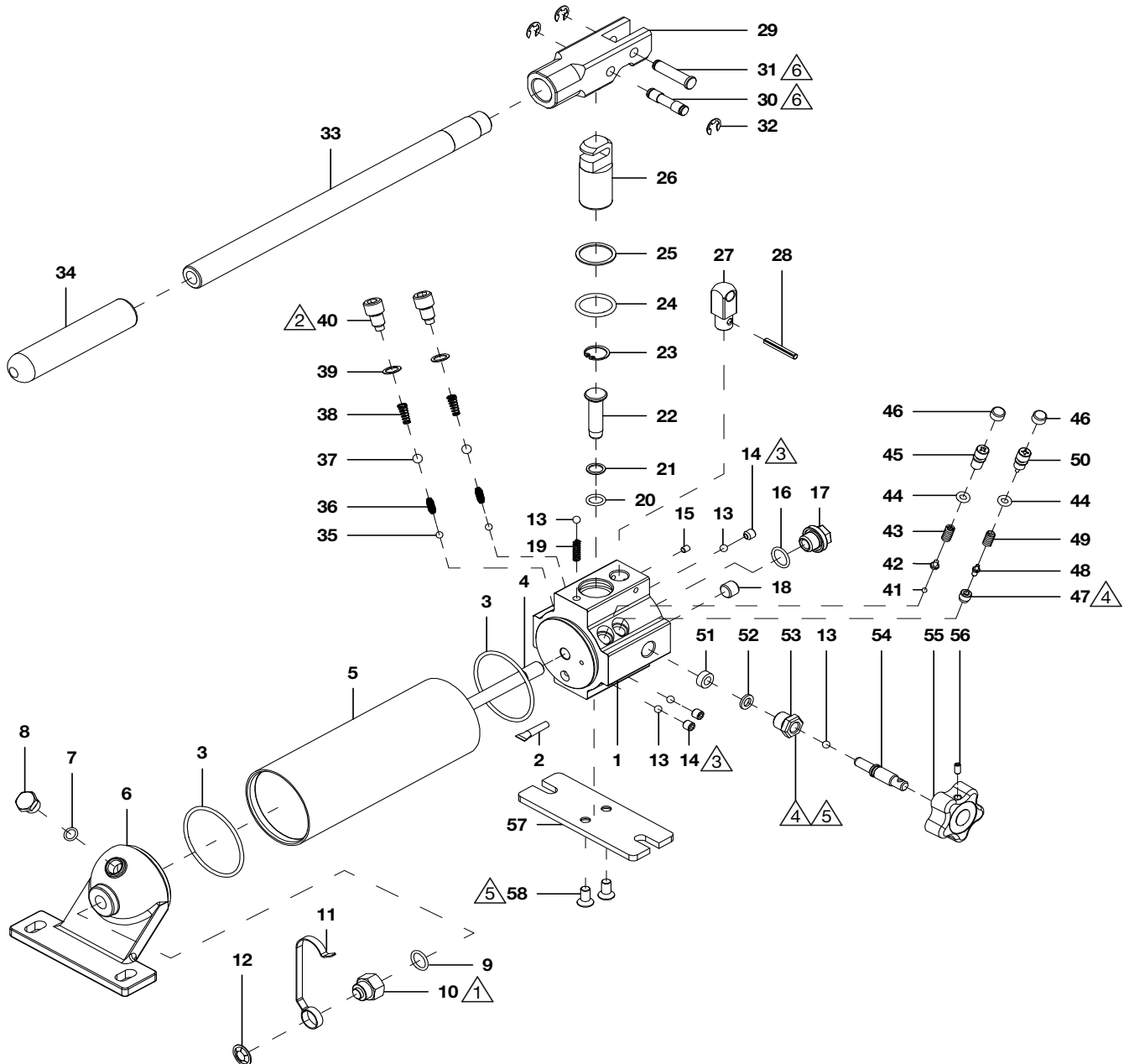
Hand Pump P30

54237 Rev. C 12/2019

Product Date Code Beginning With "B"

To Protect Your Warranty, Use Only SIMPLEX Hydraulic Oil.

Simplex recommends that all kit components be installed to ensure optimum performance of the repaired product.



Notes:

- 1 Torque to 17-19 Nm.
- 2 Torque to 35-38 Nm.
- 3 Torque to 8-10 Nm.
- 4 Torque to 12-14 Nm.
- 5 Apply Loctite 277.
- 6 Apply roller grease to contact surfaces of pin and plunger.

Repair Parts List for P30			
Item No.	Part Number	Qty.	Description
1	6045000	1	Pump Housing
2	6067306	1	Oil Filter
3	★ 6045002	2	O-Ring
4	6045107	1	Tie Rod
5	6045108	1	Reservoir
6	6045005	1	Tail Base
7	★ 6067235	1	O-Ring
8	6067181	1	Screw
9	★ 6067006	1	O-Ring
10	6067188	1	Nipple
11	6067297	1	Handle Latch
12	6067275	1	Self-Locking Ring
13	❖ 6067300	5	Steel Ball
14	6067244	3	Screw
15	6067246	1	Screw
16	★ 6045170	1	O-Ring
17	6045171	1	Nipple
18	6067250	1	Set Screw
19	6045064	1	Spring
20	†★ 6067043	1	O-Ring
21	†★ 6067042	1	Back-Up Ring
22	† 6067018	1	H.P. Piston
23	† 6067019	1	Snap Ring
24	†★ 6067204	1	O-Ring
25	†★ 6067016	1	Back-Up Ring
26	† 6067022	1	L.P. Piston
27	6045026	1	Yoke Base
28	6045190	1	Spring Pin
29	* 6045023	1	Yoke
30	* 6067119	1	Piston Pin

Repair Parts List for P30 (Continued)			
Item No.	Part Number	Qty.	Description
31	* 6067027	1	Yoke Pin
32	* 6067026	3	E-Ring
33	* 6045109	1	Handle
34	* 6067234	1	Handle Grip
35	6045053	2	Steel Ball
36	6067117	2	Inlet Ball Spring
37	6067013	2	Steel Ball
38	6067049	2	Outlet Ball Spring
39	★ 6067014	2	Copper Washer
40	6067015	2	Valve Cover Screw
41	6067034	1	Steel Ball
42	6067033	1	Spring End Cap
43	6067281	1	L.P. Spring
44	★ 6067201	2	O-Ring
45	6067029	1	Overload Cover Screw
46	6067084	2	Cap
47	6045164	1	Cone Seat
48	6045165	1	Cone
49	6045166	1	H.P. Spring
50	6045189	1	Overload Screw
51	❖ 6067037	1	Release Valve Packing
52	❖ 6067282	1	Washer
53	❖ 6067247	1	Release Nut
54	❖ 6067248	1	Release Valve Screw
55	❖ 6045077	1	Release Knob
56	❖ 6045078	1	Set Screw
57	6045045	1	Base Plate
58	6045046	2	Screw
59	◆ 45774	1	Decal, Model P30

Notes:

- ★ Included in Seal Kit DD8094900.
- ◆ Included in Decal Kit DD8095900.
- * Included in Handle Kit DD8096900.
- ❖ Included in Release Handle Kit DD8097900.
- † Included in Plunger Kit DD8098900.



N86 W12500 Westbrook Crossing
Menomonee Falls, WI 53051
Phone - USA Only: 1 (800) 323-9114
Phone - Inside/Outside USA: 1 (262) 293-1575
Fax: 1 (262) 597-1127
www.tksimplex.com